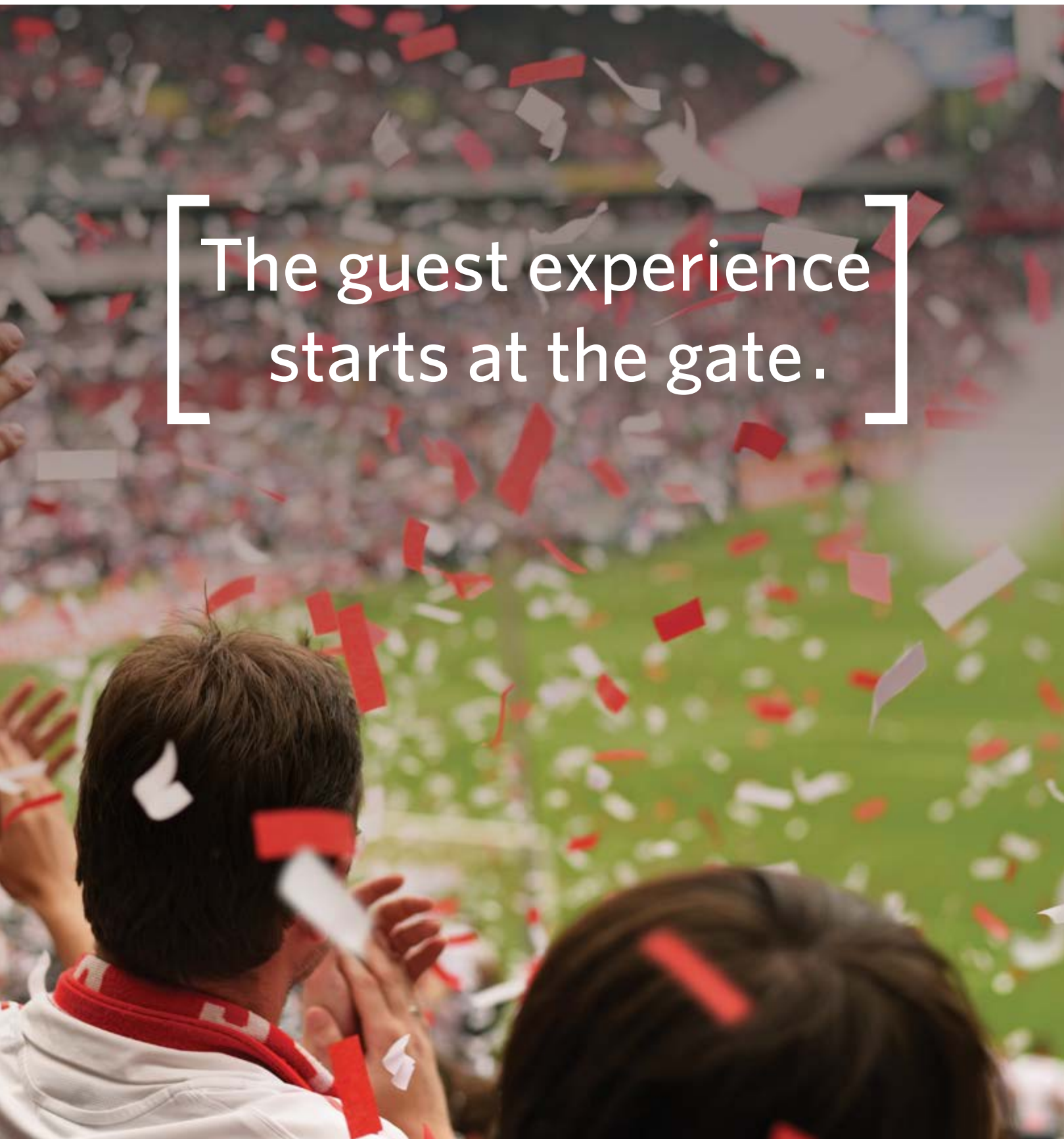




Access Control Solutions: Sports and Entertainment



The guest experience starts at the gate.





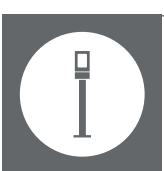

Sports and Entertainment

Access Control Solutions

Long before guests could enter an arena or stadium using a digital ticket on a smartphone, Alvarado was at the forefront of modern access control for sports and entertainment venues. We were one of the very first companies to offer a barcoded ticket validation system compatible with a wide range of reserved seat and general admission ticketing systems.

Today, our technology continues to power the guest experience at hundreds of venues across the U.S. and around the world. Alvarado's comprehensive portfolio of access control solutions includes turnstiles, pedestals and handheld validation terminals that can scan any type of physical or digital media, including 1D and 2D barcodes and RFID. We also offer biometric readers and high-speed kiosk printers that can instantly print tickets, seat locator slips or receipts right at the gate.

All of our intelligent admission devices are designed to work with GateLink10, Alvarado's powerful server-based access control software. Compatible with all major reserved seat and general admission ticketing systems, GateLink10 has validated over a billion credentials in stadiums, arenas, theme parks and other venues worldwide.

-  Software
-  Turnstiles
-  Pedestals
-  Devices

Intelligent Admission Software GateLink10

For over 20 years, sports and entertainment venues have relied on Alvarado for access control and ticket validation. Our robust GateLink10 access control software serves as the admission platform for professional and collegiate sports teams, zoos, waterparks, ferry operators and theme parks.

GateLink10 is designed for use at both reserved seat and general admission venues. Our feature rich application is installed in hundreds of locations and has validated over a billion credentials.

The application integrates with any modern ticketing system and use of GateLink10 also opens access to Alvarado's comprehensive suite of intelligent admission devices.

GateLink10 allows use of virtually any entry media and its rich set of features supports very flexible implementations. This allows venues to tailor the application to individual site requirements without expensive and time consuming customization. The application utilizes a SQL database, has an intuitive web-based front end and provides comprehensive reporting capabilities.

GateLink10 is normally implemented on-site at the venue. Alvarado also offers GateLink10 Multi-Venue, which provides access control for multiple smaller venues in a hosted environment.

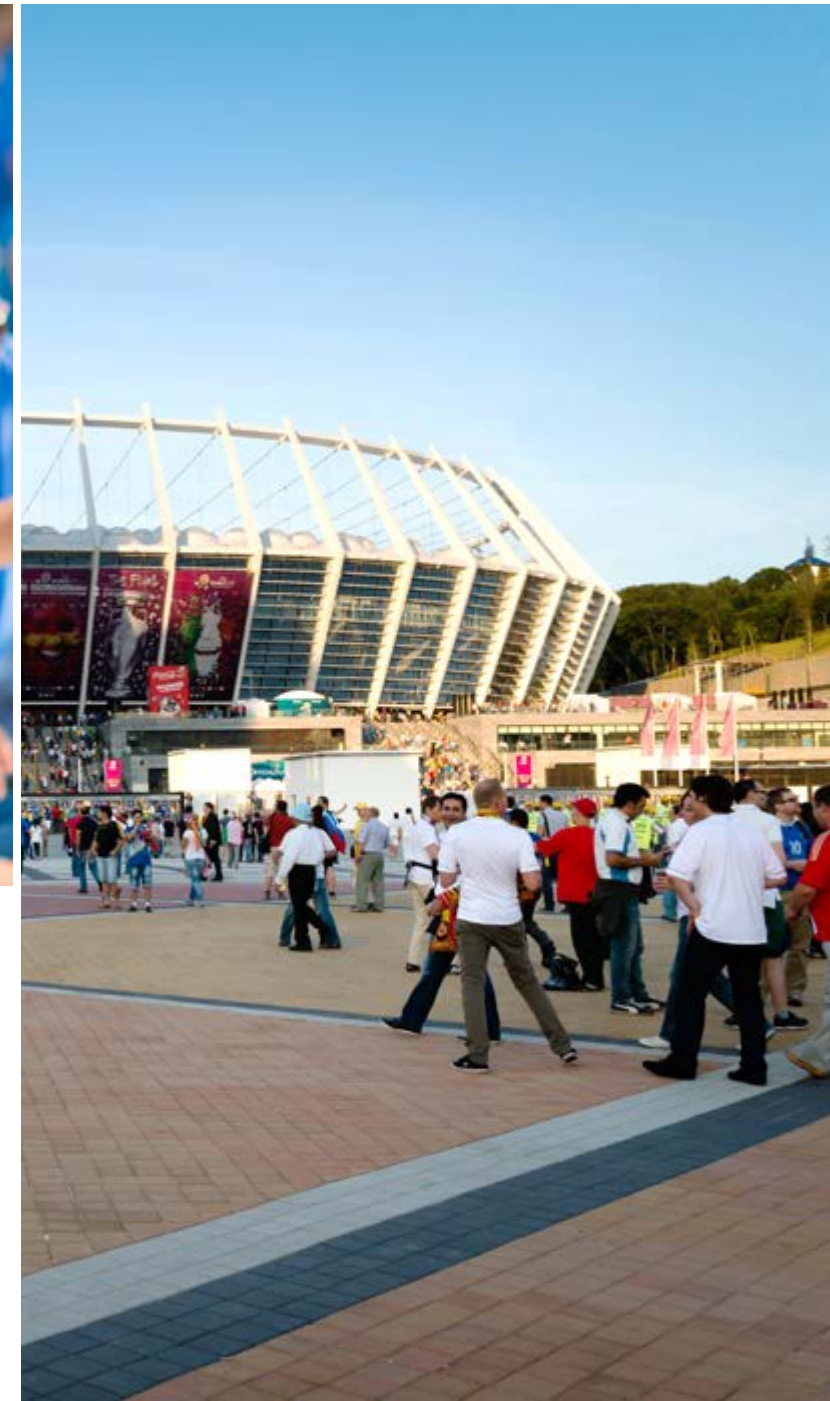
True Integration:



Ticketing Company Integrations:



... and many more



Benefits:

- Highly responsive and robust
- Operates with all media types
- Tailors easily to individual site requirements
- Integrates with any modern ticketing system
- Opens access to Alvarado's suite of intelligent admission devices

Features:

- Ticketing Integration Robust integrations with dozens of ticketing providers
- Hardware Integration Seamlessly integrates with Alvarado's suite of intelligent admission products
- Scalable Suitable for small and large venues; installation base includes sites with 250 devices
- Modern Architecture. MS SQL database; intuitive web-based front end; real time reports and data
- Flexible Supports all types of entry applications



Intelligent Admission Turnstiles

Alvarado's intelligent admission turnstiles provide secure control for all types of entry applications. Turnstiles are normally in a locked state. When presented credentials are validated, the turnstile unlocks, allowing passage.

All models come with color touchscreen displays and 1D/2D barcode imagers that quickly scan printed and digital barcodes in all types of environments. Integrated high-speed printers and other types of media readers, such as RFID, biometric and mag stripe, can be added.

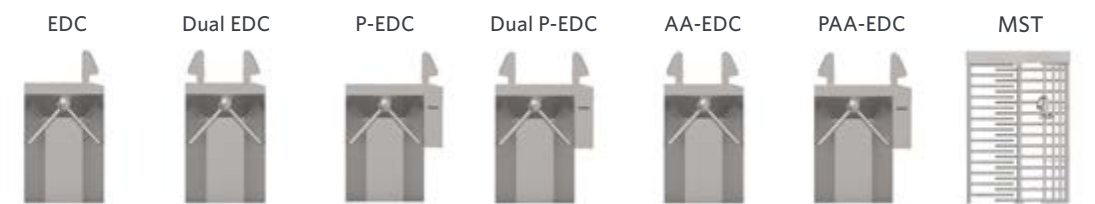
Our turnstiles are easy for guests to use, highly reliable and well-suited for all types of entertainment facility access control applications.



Common Applications:

- Guest self-validation of printed and digital barcodes
- Where the security provided by a turnstile is desired
- Where seat locator slips, coupons or receipts are printed during the entry process
- Indoor and outdoor facility access
- Where one attendant monitors multiple devices
- Where an attendant assists the guest during the entry process

TAS12 Turnstile Variations:



	EDC	Dual EDC	P-EDC	Dual P-EDC	AA-EDC	PAA-EDC	MST
Guest Facing Display for Entry	✓	✓	✓	✓	✓	✓	✓
Second Guest Facing Display for Exit	+	✓	+	✓	✓	✓	✗
Guest Facing Display and Attendant Facing Display	+	+	+	+	✓	✓	✗
Integrated High-Speed Printer	✗	✗	✓	✓	✗	✓	✗

- ✓ Included
- + Factory prepped for future upgrade
- ✗ Cannot be added

Single Direction Entry

The TAS12-EDC is used in single direction entry applications. Guests self-scan credentials to enter the facility or controlled area.

Benefits:

- Allows guests to self-scan printed and mobile device displayed barcodes
- Frees ticket takers to perform valuable customer service functions
- Fast and reliable validation in indoor and outdoor environments
- Modular design supports inexpensive field upgrades



Features:

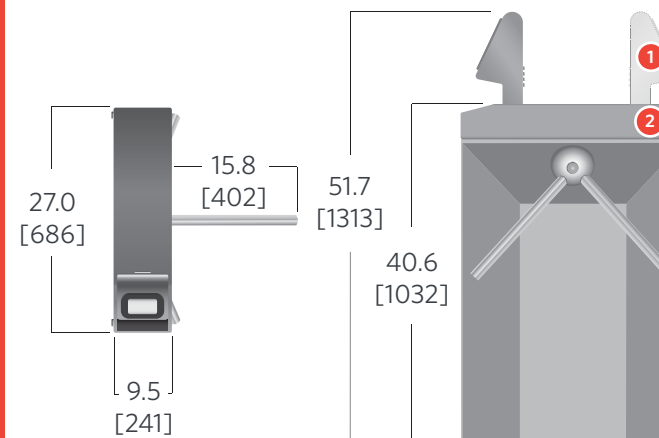
- Electric Lock Control** Entry rotation direction is electric lock controlled, while opposite direction can be field configured to be locked or provide free passage
- Media Validation**. Validates all types of 1D/2D printed and digital (mobile phone) barcodes, including wristbands; option to add other media readers
- Fast Entry Throughput**. Intuitive for guests; highly responsive validation - can accommodate 20 to 30 entries per minute
- Bright TFT Display** Color display provides customizable visual instructions for guests; touchscreen interface allows operator to access administrator functions
- Attendant Notification** LED lights on the rear of the device notify attendants of presented credential status
- Custom Graphics/Audio** Allows customized screen graphics and sound files to be associated with presented credential status
- Easily Upgradeable**. Modular design allows field installation of additional media readers and other components
- Server Communication**. TCP/IP based via wired or optional wireless communication



When guests self-scan entry credentials, attendants are liberated to greet guests and perform valuable customer service functions.

Dimensions:

Shown in inches and [mm]



Future Upgrades:

TAS12-EDC turnstiles are field upgradeable to allow the addition of:

- 1 Second display/scanning device for entry/exit scanning or attendant assisted entry applications
- 2 Additional types of readers in entry and exit direction

Options:

- Wi-Fi communication (802.11a,b/n)
- Portable base with AC outlet or battery power*
- Various operational modes
- Digital rotation counter installed in cabinet
- Drop arm - horizontal arm drops on loss of power

*Battery power not available with drop arm option

Single Direction Entry and Printing

The TAS12P-EDC is used in single direction entry applications where seat locator slips, receipts and reward coupons are printed and provided to guests.



Benefits:

- Prints tickets or seat locator slips when digital tickets, driver's licenses or ID cards are used as entry credentials
- Allows guests to self-scan printed and mobile device displayed barcodes
- Operates in indoor and outdoor environments
- Modular design supports inexpensive field upgrades

Features:

- Integrated Printer** High-speed kiosk style printer prints seat locator slips, will call tickets, receipts and reward coupons
- Electric Lock control** Entry rotation direction is electric lock controlled, while opposite direction can be field configured to be locked or provide free passage
- Media Validation** Validates all types of 1D/2D printed and digital (mobile phone) barcodes, including wristbands; option to add other media readers
- Bright TFT Display** Color display provides customizable visual instructions for guests; touchscreen interface allows operator to access administrator functions
- Attendant Notification** LED lights on the rear of the device notify attendants of presented credential status
- Custom Graphics/Audio** Allows customized screen graphics and sound files to be associated with presented credential status
- Easily Upgradeable** Modular design allows field installation of additional media readers and other components
- Server Communication** TCP/IP based via wired or optional wireless communication



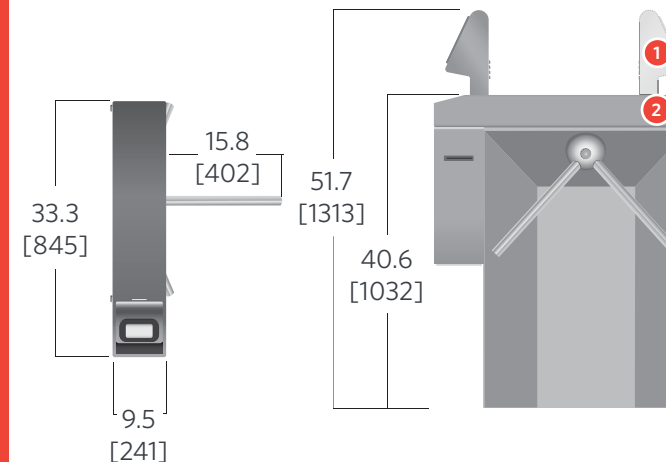
Digital barcodes scan quickly in low light and sunlight conditions.



Seat locators, receipts or coupons can be printed during the entry process.

Dimensions:

Shown in inches and [mm]



Future Upgrades:

TAS12P-EDC turnstiles are field upgradeable to allow the addition of:

- 1 Second display/scanning device for entry/exit scanning or attendant assisted entry applications
- 2 Additional types of readers in entry and exit direction

Options:

- Wi-Fi communication (802.11a,b/n)
- Portable base with AC outlet
- Various operational modes
- Digital rotation counter installed in cabinet
- Drop arm - horizontal arm drops on loss of power

Entry/Exit Validation

The Dual TAS12-EDC allows guests to self-scan for entry and exit. Ideal for applications where guests are allowed to leave and re-enter the facility.

Benefits:

- Supports entry, exit and re-entry applications
- Allows guests to self-scan printed and mobile device displayed barcodes
- Operates in indoor and outdoor environments
- Frees ticket takers to perform valuable customer service functions



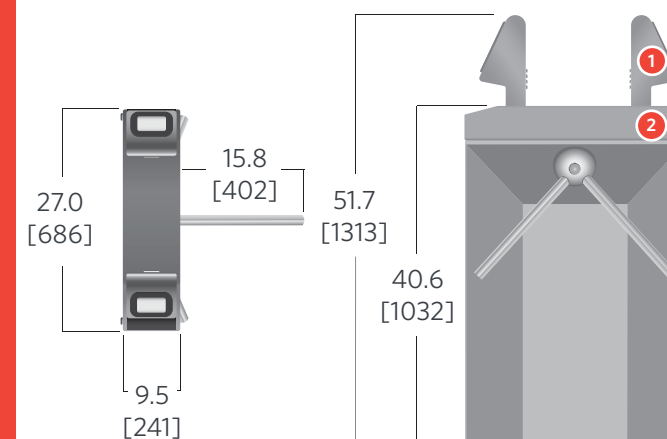
The Dual TAS12-EDC allows guests to self-scan for both entry and exit.

Features:

- Electric Lock Control** Entry rotation direction is electric lock controlled, while opposite direction can be field configured to be locked or provide free passage
- Media Validation**. Validates all types of 1D/2D printed and digital (mobile phone) barcodes, including wristbands; option to add other media readers
- Fast Entry Throughput**. Intuitive for guests; highly responsive validation - can accommodate 20 to 30 entries per minute
- Bright TFT Display** Color displays provide customizable visual instructions for guests; touchscreen interface allows operator to access administrator functions
- Attendant Notification** LED lights on the rear of the device notify attendants of presented credential status
- Custom Graphics/Audio** Allows customized screen graphics and sound files to be associated with presented credential status
- Easily Upgradeable**. Modular design allows field installation of additional media readers such as RFID
- Server Communication**. TCP/IP based via wired or optional wireless communication

Dimensions:

Shown in inches and [mm]



Future Upgrades:

Dual TAS12-EDC turnstiles are field upgradeable to allow the addition of:

- 1 Optional modes that enable attendant assisted entry applications
- 2 Additional types of readers in entry and exit direction

Options:

- Wi-Fi communication (802.11a,b/n)
- Portable base with AC outlet or battery power*
- Various operational modes
- Digital rotation counter installed in cabinet
- Drop arm - horizontal arm drops on loss of power

*Battery power not available with drop arm option

Entry/Exit Validation and Printing

The Dual TAS12P-EDC allows guests to self-scan for entry, exit and re-entry with the added capability of printing seat locator slips, receipts and reward coupons.



Benefits:

- Supports entry, exit and re-entry applications
- Prints receipts or seat locator slips when digital tickets, driver's licenses or ID cards are used as entry credentials
- Allows guests to self-scan printed and mobile device displayed barcodes

Features:

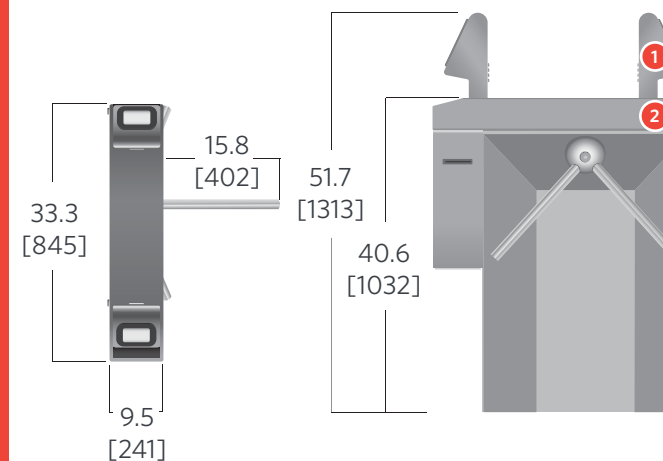
- Integrated Printer** High-speed kiosk style printer prints seat locator slips, will call tickets, receipts and reward coupons
- Electric Lock Control** Entry rotation direction is electric lock controlled, while opposite direction can be field configured to be locked or provide free passage
- Media Validation** Validates all types of 1D/2D printed and digital (mobile phone) barcodes, including wristbands; option to add other media readers
- Bright TFT Display** Color displays provide customizable visual instructions for guests; touchscreen interface allows operator to access administrator functions
- Attendant Notification** LED lights on the rear of the device notify attendants of presented credential status
- Custom Graphics/Audio** Allows customized screen graphics and sound files to be associated with presented credential status
- Easily Upgradeable** Modular design allows field installation of additional media readers such as RFID
- Server Communication** TCP/IP based via wired or optional wireless communication



In addition to pedestals and turnstiles, Alvarado also manufactures gates and railings, allowing us to provide comprehensive front gate entry solutions.

Dimensions:

Shown in inches and [mm]



Future Upgrades:

Dual TAS12P-EDC turnstiles are field upgradeable to allow the addition of:

- 1 Optional modes that enable attendant assisted entry applications
- 2 Additional types of readers in entry and exit direction

Options:

- ✓ Wi-Fi communication (802.11a,b/n)
- ✓ Portable base with AC outlet
- ✓ Various operational modes
- ✓ Digital rotation counter installed in cabinet
- ✓ Drop arm - horizontal arm drops on loss of power

Attendant Assisted Entry

The Dual TAS12AA-EDC offers interactive, independent touch screen displays that support entry applications requiring interaction between the guest and attendant.

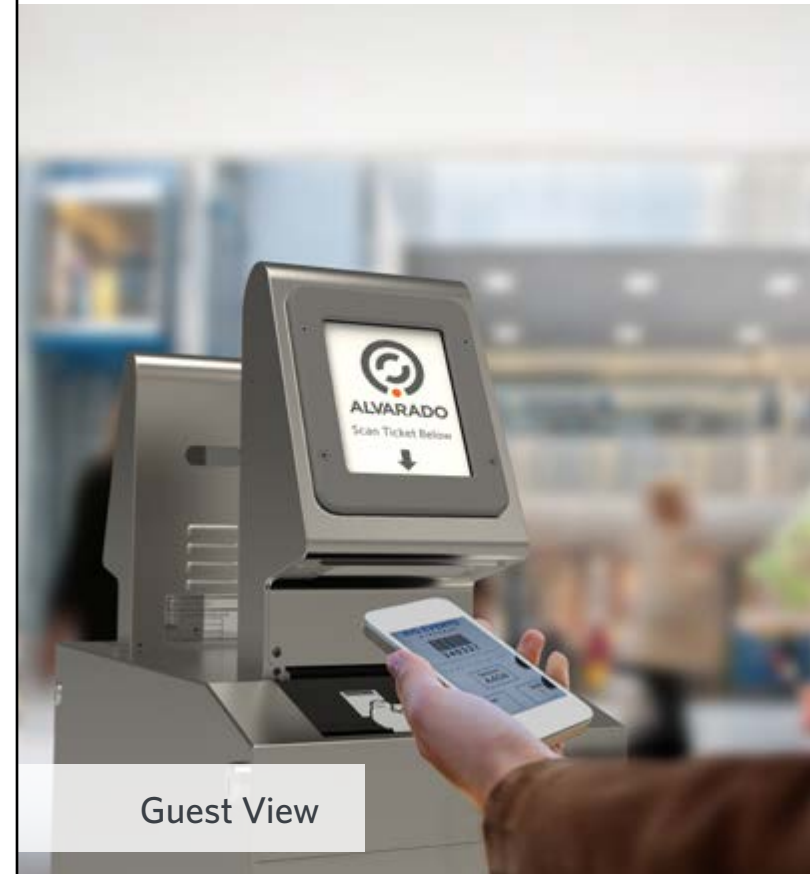


Benefits:

- Ideal for entry processes such as multiple guests entering under a single credential or front gate season pass enrollment
- Allows rewards to be granted to guests during the entry process through the independent interactive touchscreens
- Operates in indoor and outdoor environments

Features:

- Internally Connected**..... Guest facing TFT color display provides visual instructions for guests, while rear-facing display allows attendant to process group tickets, season pass enrollment and rewards/entitlements
- Electric Lock Control**..... Entry rotation direction is electric lock controlled, while opposite direction can be field configured to be locked or provide free passage
- Media Validation**..... Validates all types of 1D/2D printed and digital (mobile phone) barcodes, including wristbands; option to add other media readers
- Attendant Notification**..... LED lights on the rear of the device notify attendants of presented credential status
- Custom Graphics/Audio**..... Allows customized screen graphics and sound files to be associated with presented credential status
- Easily Upgradeable**..... Modular design allows field installation of additional media readers such as RFID
- Server Communication**..... TCP/IP based via wired or optional wireless communication



Guest View

Guest scans group pass, while attendant enters the number of guests present.

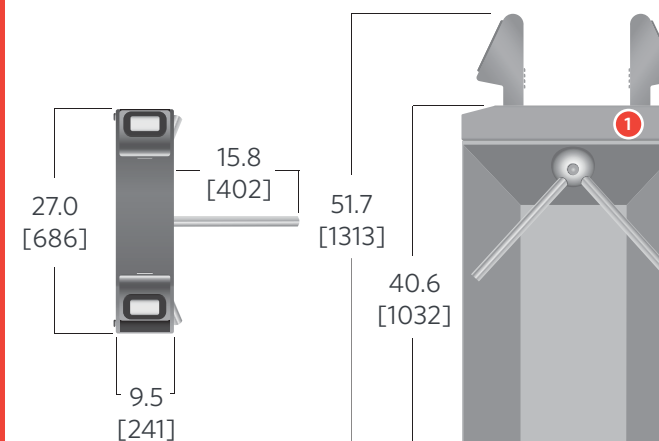


Attendant View

This allows the exact number of attending guests to enter before re-locking.

Dimensions:

Shown in inches and [mm]



Future Upgrades:

Dual TAS12AA-EDC turnstiles are field upgradeable to allow the addition of:

- 1 Additional types of readers in entry and exit direction

Options:

- ✓ Wi-Fi communication (802.11a,b/n)
- ✓ Portable base with AC outlet or battery power*
- ✓ Various operational modes
- ✓ Digital rotation counter installed in cabinet
- ✓ Drop arm - horizontal arm drops on loss of power

*Battery power not available with drop arm option

Attendant Assisted Entry and Printing

The Dual TAS12PAA-EDC adds the ability to print tickets, seat locator slips, receipts and reward coupons in attendant assisted entry applications.

Benefits:

- Interactive, independent touch screen displays
- Ideal for entry processes such as multiple guests entering under a single credential or front gate season pass enrollment
- Prints receipts or reward coupons during the entry process
- Operates in indoor and outdoor environments



Features:

- Internally Connected** Guest facing TFT color display provides visual instructions for guests, while rear-facing display allows attendant to process group tickets, season pass enrollment and rewards/entitlements
- Integrated Printer** High-speed kiosk style printer prints seat locator slips, will call tickets, receipts and reward coupons
- Electric Lock Control** Entry rotation direction is electric lock controlled, while opposite direction can be field configured to be locked or provide free passage
- Media Validation** Validates all types of 1D/2D printed and digital (mobile phone) barcodes, including wristbands; option to add other media readers
- Attendant Notification** LED lights on the rear of the device notify attendants of presented credential status
- Custom Graphics/Audio** Allows customized screen graphics and sound files to be associated with presented credential status
- Easily Upgradeable** Modular design allows field installation of additional media readers such as RFID
- Server Communication** TCP/IP based via wired or optional wireless communication



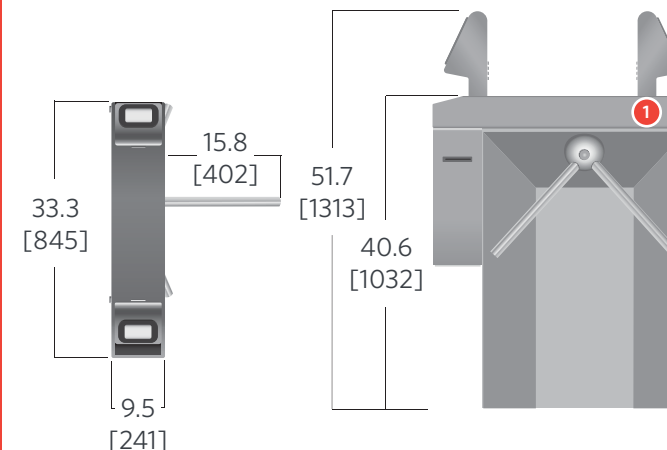
Attendant assisted operational modes allow the two devices to display different screen images and interact independently with Alvarado's GateLink10 access control software.



After scanning a valid credential, the guest is provided a seat locator slip.

Dimensions:

Shown in inches and [mm]



Future Upgrades:

Dual TAS12PAA-EDC turnstiles are field upgradeable to allow the addition of:

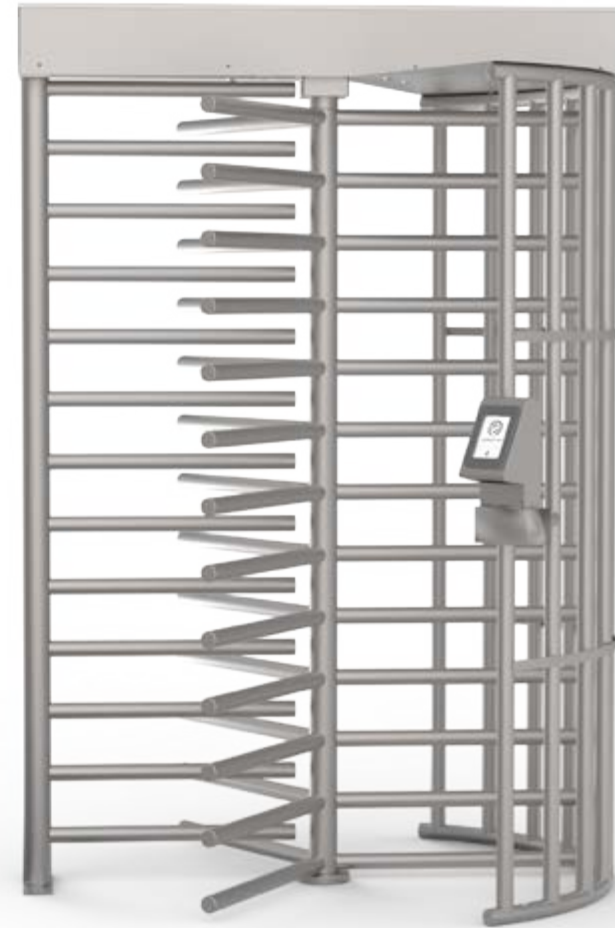
- 1 Additional types of readers in entry and exit direction

Options:

- Wi-Fi communication (802.11a,b/n)
- Portable base with AC outlet
- Various operational modes
- Digital rotation counter installed in cabinet
- Drop arm - horizontal arm drops on loss of power

Single Direction Entry

The TAS12-MST is used in single direction entry applications where the additional security of a full height turnstile is desired.



Benefits:

- The TAS12 device can be installed on the yoke of the full height turnstile or an Alvarado intelligent entry pedestal can be located in front of the turnstile
- Allows guests to self-scan printed and mobile device displayed barcodes
- High-security entry control

Features:

- Electric Lock Control** Entry rotation direction is electric lock controlled, while opposite direction can be field configured to be locked or provide free passage
- Media Validation**. Validates all types of 1D/2D printed and digital (mobile phone) barcodes, including wristbands; option to add other media readers
- Fast Entry Throughput**. Intuitive for guests; highly responsive validation - can accommodate approximately 20 entries per minute
- Bright TFT Display** Color display provides customizable visual instructions for guests; touchscreen interface allows operator to access administrator functions
- Attendant Notification** LED lights on the rear of the device notify attendants of presented credential status
- Custom Graphics/Audio** Allows customized screen graphics and sound files to be associated with presented credential status
- Easily Upgradeable**. Modular design allows field installation of additional media readers such as RFID
- Server Communication**. TCP/IP based via wired or optional wireless communication



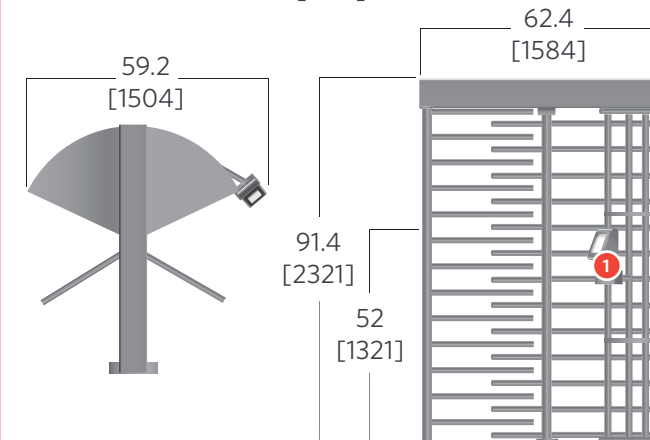
Digital bar codes scan quickly in low light and sunlight conditions.



TAS12-MST full height turnstiles are ideal where added security is desired.

Dimensions:

Shown in inches and [mm]



Future Upgrades:

TAS12-MST turnstiles are field upgradeable to allow the addition of:

- 1 Additional types of readers in entry direction

Options:

- Wi-Fi communication (802.11a,b/n)
- Portable base with AC outlet
- Power over Ethernet for TAS12 device*
- Various operational modes

*Power over Ethernet available for TAS12 device only; turnstile cannot be powered over Ethernet

Intelligent Admission Pedestals

Alvarado's highly versatile intelligent admission pedestals meet the unique access control requirements of modern venues. All models have color touchscreen displays and 1D/2D barcode imagers that quickly scan printed and digital barcodes in indoor and outdoor environments. Integrated high-speed printers and optional mag stripe, RFID or biometric readers are also available.

Our pedestals are suitable for a wide range of applications. All models have the ability to interface with other access control equipment such as electrically locking turnstiles, gates and doors.

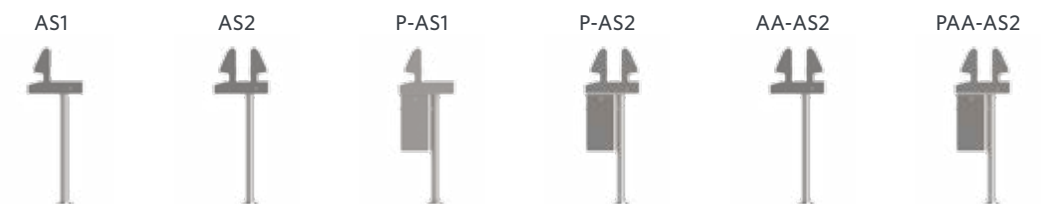


Common Applications:

- Guest self-validation of printed and digital barcodes
- Indoor and outdoor access locations where floor space is limited
- Where barrier-free access is desired
- Where seat locator slips, coupons or receipts are printed during the entry process
- Where one attendant monitors multiple devices
- Where an attendant assists the guest during the entry process

TAS12

Pedestal Variations:



	AS1	AS2	P-AS1	P-AS2	AA-AS2	PAA-AS2
Guest Facing Display for Entry	✓	✓	✓	✓	✓	✓
Second Guest Facing Display for Exit	+	✓	+	✓	✓	✓
Guest Facing Display and Attendant Facing Display	+	+	+	+	✓	✓
Integrated High-Speed Printer	+	+	✓	✓	+	✓

✓ Included

+ Factory prepped for future upgrade

Single Direction Entry

The TAS12-AS1 is used in single direction entry applications. Guests self-scan credentials to enter the facility or controlled area.

Benefits:

- Allows guests to self-scan printed and mobile device displayed barcodes
- Frees ticket takers to perform valuable customer service functions.
- Fast and reliable validation in indoor and outdoor environments
- Modular design supports inexpensive field upgrades
- Can unlock turnstiles gates and doors



Features:

- Media Validation** Validates all types of 1D/2D printed and digital (mobile phone) barcodes, including wristbands; option to add other media readers
- Fast Entry Throughput** Intuitive for guests; highly responsive validation - can accommodate up to 30 entries per minute
- Bright TFT Display** Color display provides customizable visual instructions for guests; touchscreen interface allows operator to access administrator functions
- Attendant Notification** LED lights on the rear of the device notify attendants of presented credential status
- Custom Graphics/Audio** Allows customized screen graphics and sound files to be associated with presented credential status
- Easily Upgradeable** Modular design allows field installation of printers, additional media readers and other components
- Server Communication** TCP/IP based via wired or optional wireless communication



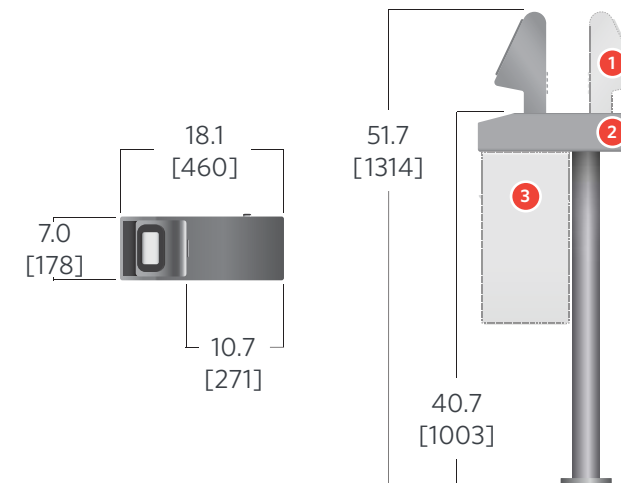
Guest scanning digital barcode displayed on a mobile device.



Pedestals create an open and inviting entry environment in VIP areas.

Dimensions:

Shown in inches and [mm]



Future Upgrades:

TAS12-AS1 pedestals are field upgradeable to allow the addition of:

- 1 Second display/scanning device for entry/exit scanning or attendant assisted entry applications
- 2 Additional types of readers in entry and exit direction
- 3 A high-speed printer

Options:

- ✓ Wi-Fi communication (802.11a,b/n)
- ✓ Portable base with AC outlet or battery power
- ✓ Various operational modes

Single Direction Entry and Printing

The TAS12P-AS1 is used in single direction entry applications where seat locator slips, receipts and reward coupons are printed and provided to guests.

Benefits:

- Prints tickets or seat locator slips when digital tickets, driver's licenses or ID cards are used as entry credentials
- Allows guests to self-scan printed and mobile device displayed barcodes
- Operates in indoor and outdoor environments
- Modular design supports inexpensive field upgrades



Features:

- Integrated Printer** High-speed kiosk style printer prints seat locator slips, will call tickets, receipts and reward coupons
- Media Validation** Validates all types of 1D/2D printed and digital (mobile phone) barcodes, including wristbands; option to add other media readers
- Bright TFT Display** Color display provides customizable visual instructions for guests; touchscreen interface allows operator to access administrator functions
- Attendant Notification** LED lights on the rear of the device notify attendants of presented credential status
- Custom Graphics/Audio** Allows customized screen graphics and sound files to be associated with presented credential status
- Easily Upgradeable** Modular design allows field installation of additional media readers such as RFID
- Server Communication** TCP/IP based via wired or optional wireless communication



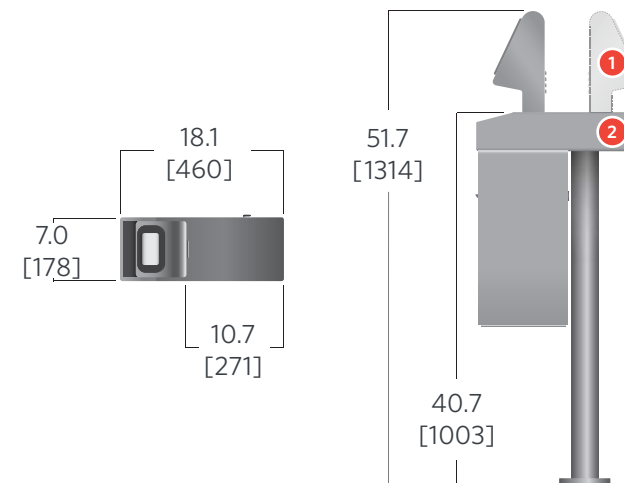
Upon scanning valid credentials, guest is provided a seat locator slip.



Alvarado's Quick Queue retractable stanchions can be used with entry pedestals to create highly flexible entry configurations.

Dimensions:

Shown in inches and [mm]



Future Upgrades:

TAS12P-AS1 pedestals are field upgradeable to allow the addition of:

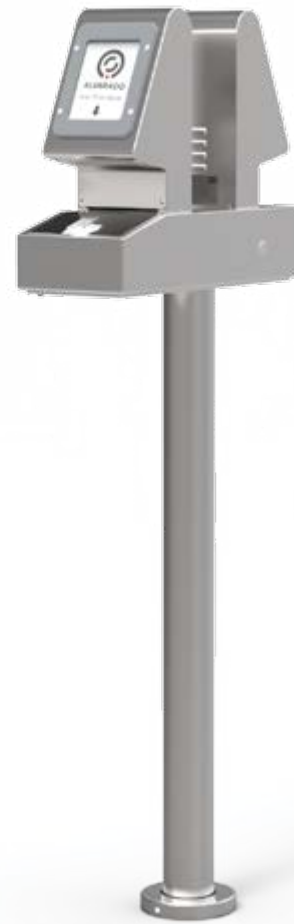
- 1 Second display/scanning device for entry/exit scanning or attendant assisted entry applications
- 2 Additional types of readers in entry and exit direction

Options:

- Wi-Fi communication (802.11a,b/n)
- Portable base with AC outlet or battery power
- Various operational modes

Entry/Exit Validation

The TAS12-AS2 allows guests to self-scan for entry and exit. Ideal for applications where guests are allowed to leave and re-enter the facility.



Benefits:

- Supports entry, exit and re-entry applications
- Allows guests to self-scan printed and mobile device displayed barcodes
- Operates in indoor and outdoor environments
- Frees ticket takers to perform valuable customer service functions
- Modular design supports inexpensive field upgrades

Features:

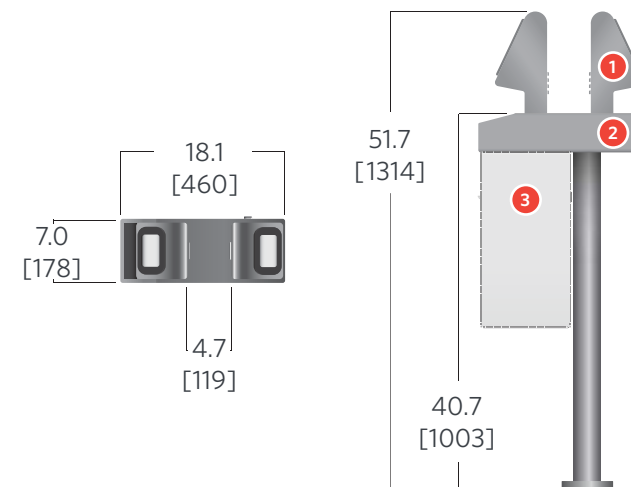
- Media Validation** Validates all types of 1D/2D printed and digital (mobile phone) barcodes, including wristbands; option to add other media readers
- Fast Entry Throughput** Intuitive for guests; highly responsive validation - can accommodate up to 30 entries per minute
- Bright TFT Display** Color displays provide customizable visual instructions for guests; touchscreen interface allows operator to access administrator functions
- Attendant Notification** LED lights on the rear of the device notify attendants of presented credential status
- Custom Graphics/Audio** Allows customized screen graphics and sound files to be associated with presented credential status
- Easily Upgradeable** Modular design allows field installation of printers and alternative media readers
- Server Communication** TCP/IP based via wired or optional wireless communication



The TAS12-AS2 can be used for entry/exit scanning applications.

Dimensions:

Shown in inches and [mm]



Future Upgrades:

TAS12-AS2 pedestals are field upgradeable to allow the addition of:

- 1 Optional modes that enable attendant assisted entry applications
- 2 Additional types of readers in entry and exit direction
- 3 A high-speed printer

Options:

- Wi-Fi communication (802.11a,b/n)
- Portable base with AC outlet or battery power
- Various operational modes

Entry/Exit Validation and Printing

The TAS12P-AS2 allows guests to self-scan for entry, exit and re-entry with the added capability of printing seat locator slips, receipts and reward coupons.

Benefits:

- Supports entry, exit and re-entry applications
- Prints receipts or seat locator slips when digital tickets, driver's licenses or ID cards are used as entry credentials
- Allows guests to self-scan printed and mobile device displayed barcodes
- Modular design supports inexpensive field upgrades



Features:

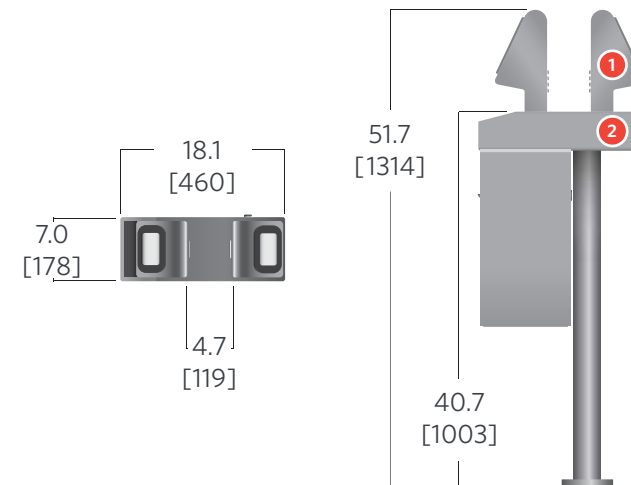
- Integrated Printer** High-speed kiosk style printer prints seat locator slips, will call tickets, receipts and reward coupons
- Media Validation** Validates all types of 1D/2D printed and digital (mobile phone) barcodes, including wristbands; option to add other media readers
- Bright TFT Display** Color displays provide customizable visual instructions for guests; a touchscreen interface allows operator to access administrator functions
- Attendant Notification** LED lights on the rear of the device notify attendants of presented credential status
- Custom Graphics/Audio** Allows customized screen graphics and sound files to be associated with presented credential status
- Easily Upgradeable** Modular design allows field installation of additional media readers such as RFID
- Server Communication** TCP/IP based via wired or optional wireless communication



Four entry-only TAS12P-AS1 Pedestals; one TAS12P-AS2 Pedestal (on right) for entry/exit validation.

Dimensions:

Shown in inches and [mm]



Future Upgrades:

TAS12P-AS2 pedestals are field upgradeable to allow the addition of:

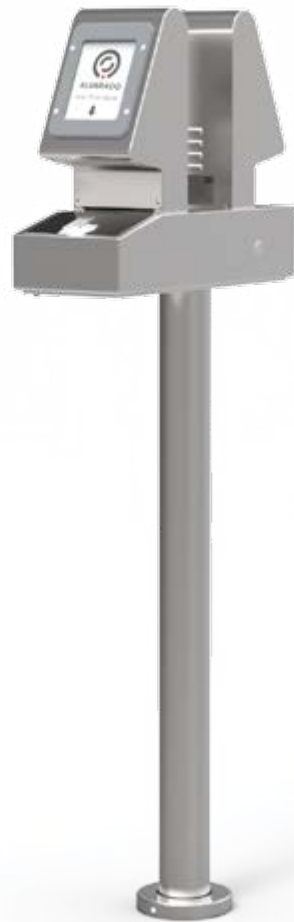
- 1 Optional modes that enable attendant assisted entry applications
- 2 Additional types of readers in entry and exit direction

Options:

- Wi-Fi communication (802.11a,b/n)
- Portable base with AC outlet or battery power
- Various operational modes

Attendant Assisted Entry

The TAS12AA-AS2 offers interactive, independent touch screen displays that support entry applications requiring interaction between the guest and attendant.



Benefits:

- Ideal for entry processes such as multiple guests entering under a single credential or front gate season pass enrollment
- Allows rewards to be granted to guests during the entry process through the independent interactive touchscreens
- Operates in indoor and outdoor environments

Features:

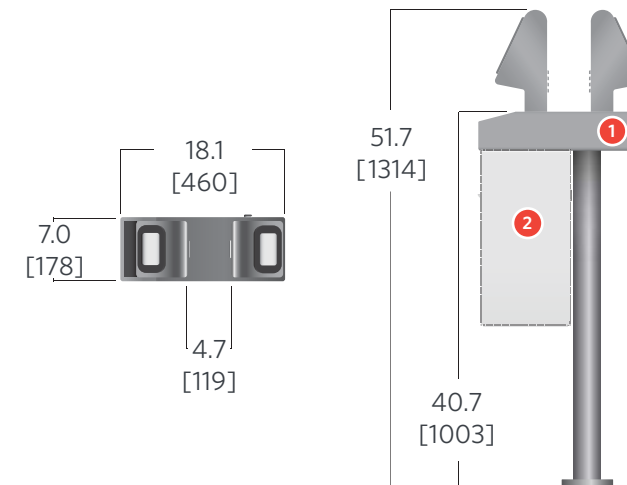
- Internally Connected** Guest facing TFT color display provides visual instructions for guests, while rear-facing display allows attendant to process group tickets, season pass enrollment and rewards/entitlements
- Media Validation** Validates all types of 1D/2D printed and digital (mobile phone) barcodes, including wristbands; option to add other media readers
- Attendant Notification** Rear attendant screen notifies attendant of presented credential validity and status
- Custom Graphics/Audio** Allows customized screen graphics and sound files to be associated with presented credential status
- Easily Upgradeable** Modular design allows field installation of printers and additional media readers such as RFID
- Server Communication** TCP/IP based via wired or optional wireless communication



Guest scans season pass while attendant looks up available rewards.

Dimensions:

Shown in inches and [mm]



Future Upgrades:

TAS12AA-AS2 pedestals are field upgradeable to allow the addition of:

- 1 Additional types of readers in entry and exit direction
- 2 A high-speed printer

Options:

- ✓ Wi-Fi communication (802.11a,b/n)
- ✓ Portable base with AC outlet or battery power
- ✓ Various operational modes

Attendant Assisted Entry and Printing

The TAS12PAA-AS2 adds the ability to print tickets, seat locator slips, receipts and reward coupons to the functionality of the TAS12AA-AS2.

Benefits:

- Interactive, independent touch screen displays
- Ideal for entry processes such as multiple guests entering under a single credential or front gate season pass enrollment
- Prints receipts or reward coupons during the entry process
- Operates in indoor and outdoor environments



Features:

- Internally Connected** Guest-facing TFT color display provides visual instructions for guests, while rear-facing display allows attendant to process group tickets, season pass enrollment and rewards/entitlements
- Integrated Printer** High-speed kiosk style printer prints seat locator slips, will call tickets, receipts and reward coupons
- Media Validation** Validates all types of 1D/2D printed and digital (mobile phone) barcodes, including wristbands; option to add other media readers
- Attendant Notification** Rear attendant screen notifies attendant of presented credential validity and status
- Custom Graphics/Audio** Allows customized screen graphics and sound files to be associated with presented credential status
- Easily Upgradeable** Modular design allows field installation of additional media readers such as RFID
- Server Communication** TCP/IP based via wired or optional wireless communication



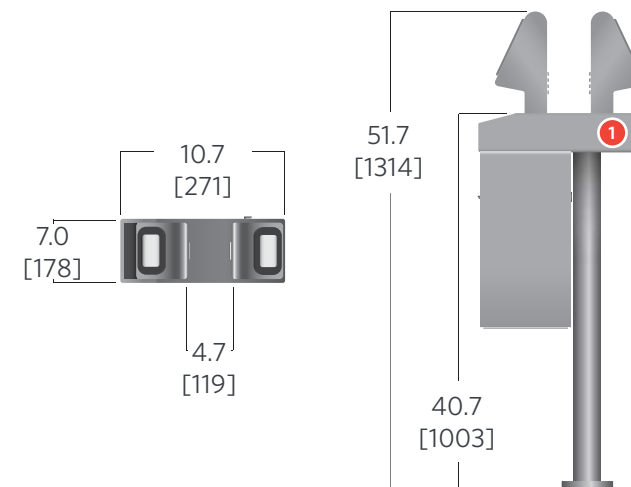
Attendant assisted operational modes allow the two devices to display different screen images and interact independently with Alvarado's GateLink10 access control software.



Alvarado's printing pedestals use a high-speed kiosk printer that can print up to 6 inches per second.

Dimensions:

Shown in inches and [mm]



Future Upgrades:

TAS12PAA-AS2 pedestals are field upgradeable to allow the addition of:

- 1 Additional types of readers in entry and exit direction

Options:

- ✓ Wi-Fi communication (802.11a,b/n)
- ✓ Portable base with AC outlet or battery power
- ✓ Various operational modes

Mobile Validation Terminal PocketGate

Working in concert with our GateLink10 software, the PocketGate-MVT is a portable mobile terminal that allows attendants to validate entry credentials and provide customer service functions. Providing excellent scanning performance and advanced wireless connectivity options, PocketGate-MVT provides excellent flexibility and versatility for all types of applications.

The terminal allows attendants to validate entry credentials, and provide entry, exit and re-entry control in applications where patrons are allowed to exit and re-enter the facility. The terminals also provide immediate "line busting" capabilities during busy entry times and functionality that assists with customer service requirements.

Common Applications:

- Front Gate Entry Control
- Disabled/Stroller Access
- Overflow Entry
- Where barrier-free access is desired

Interaction with the validation terminal is intuitive for attendants. When the terminal is started it dynamically locates the venue and gate, eliminating the need for dedicating devices to a particular facility or gate in order to obtain detailed reporting. The bright touchscreen display and audio provides clear instructions to attendants.





In addition to validating printed and digital barcodes, there are options to validate additional types of credentials and a Bluetooth printer can also be integrated for the printing of receipts and coupons.



Benefits:

- Intuitive for attendants
- Does not need to be dedicated to specific gate or location
- Quick deployment during busy times
- Resists damage from drops to concrete

Features:

-  **Touchscreen Functionality** Easy-to-use touchscreen supports multiple attendant functions, including attendant sign on, group entries and ticket look up
-  **Media Validation** Validates all types of 1D/2D printed and digital (mobile phone) barcodes, including wristbands; option to validate mag stripe and RFID
-  **Bluetooth Printer** Option to pair printer to print seat locators, receipts, or coupons as part of the admission process
-  **Rugged Construction** Rugged industrial grade device; impact resistant when dropped from up to 1-2 meters



 **ALVARADO**

Additional resources, including specifications, installation manuals and drawings can be found online.
For more information or to order, call +1 909-591-8431 or visit www.alvaradomfg.com