

Quick Queue
by ALVARADO

www.alvaradomfa.com • 909.591.8431

PEDESTRIAN QUEUING

POST & RAIL

GATES

TURNSTILES

CASE AND FIXTURE PROTECTION

WAREHOUSE AND BACKROOM



Asset Protection & Queuing

ALVARADO

protecting assets and controlling the flow of people

Since 1956, Alvarado has been guided by a simple goal; to provide cost effective products and solutions that protect assets and control the flow of people.

Our clients range from the smallest of retail operations to large corporations and national chains. We are very proud of the fact that the majority of our business comes from repeat customers who rely on Alvarado's asset protection and queuing products, time and time again.

Our friendly, trained staff of product experts are readily available to assist you in finding the right solution for your specific requirements. We maintain a large on-hand inventory and many of the items in this catalog are available for immediate shipment. Should you require a solution that is not an "off-the-shelf" product, please call us so we can provide a custom solution to meet your specific needs.

To all of our customers, both new and repeat, we thank you for your business and offer our commitment to provide you the highest quality products and service, now and in the future.



 ALVARADO

CONTACT

ADDRESS:

Alvarado
12660 Colony Street
Chino, California 91710

PHONE: 909 591 8431**FAX:** 909 628 1403**TOLL FREE:** 800 423 4143**E-MAIL:** information@alvaradomfg.com**WEB:** www.alvaradomfg.com

CONTENTS

PEDESTRIAN QUEUING

Quick Queue Stanchions & Wall Mounts	4
Quick Queue Stanchion Signs/Sign Holders	5-6
FP Stanchion	7

POST & RAIL

Double/Triple Posts and Railing	8
Wall Flange/Post Bumper Guard	8
Standard Posts	9
Anchoring Options	9
Removable Vogue Style Post Anchoring	9

GATES

VSG / VSGX	10
GDO	11
CSG & SSG	12
LG-36	13
SL-10	13

TURNSTILES

Three Arm Model SLT	14
Three Arm Model W	15
Four Arm Model GST	16
Four Arm Model MT	17

CASE AND FIXTURE PROTECTION

Defender SS/XT	18
Defender Accent Caps	18
Corner Guards	19
Fixed Anchored Posts	20
Removable Posts	21
SSB/CB Bumper Systems	22

WAREHOUSE AND BACKROOM

Bollards	23
Watchman	24

ADDITIONAL INFORMATION

Configuration Guide	25
Ordering Information	26
Other Alvarado Products	27

PEDESTRIAN QUEUING

ALVARADOMFG.COM

QUICK QUEUE

Alvarado's new Quick Queue line of portable, retractable belt stanchions provide an effective and reliable queuing solution at a very

affordable price. Conveniently packaged in sets of two, our Quick Queue stanchions are available in the finishes and belt colors shown below. Belts can be imprinted with custom messages for an additional cost.



STANDARD QUICK QUEUE FINISHES & COLORS

BLACK POST BLACK BELT BLACK COVER EKS-01-01		MIRROR POST BLACK BELT MIRROR COVER EKS-02-01	
BLACK POST RED BELT BLACK COVER EKS-01-04		MIRROR POST RED BELT MIRROR COVER EKS-02-04	
BLACK POST BLUE BELT BLACK COVER EKS-01-02		MIRROR POST BLUE BELT MIRROR COVER EKS-02-02	
BRASS POST BLACK BELT PLATED COVER EKS-04-01		SATIN POST BLACK BELT SATIN COVER EKS-03-01	

- A **4-WAY CONNECTION POINTS**
Supports any queuing configuration.
- B **EASILY ADD A ROTATIONAL SIGN HOLDER** (page 5)
or a **LARGE SIGN HOLDER** (page 6)
- C **2" WIDE BELT EXTENDS NEARLY 7 FEET AND RESISTS WEAR**
- D **ANTI-TAMPER BELT LOCKING**
Minimizes accidental release of the belt caused by "ducking under" or tampering.
- E **NON-MARKING RUBBERIZED BASE**
Protects floors.

QUICK QUEUE WALL MOUNT

The Quick Queue wall mount comes in a mirror finish with a selection of belt colors. A receiver plate and attachment hardware is included.



- 07-5350 BLACK BELT
- 07-5351 BLUE BELT
- 07-5352 RED BELT

2" WIDE BELT EXTENDS NEARLY 7 FEET.

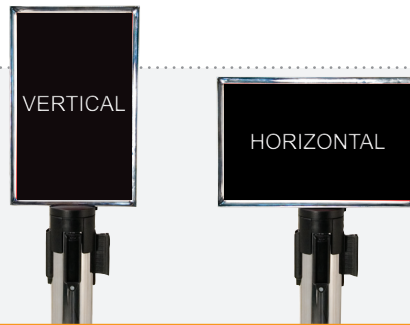
STANCHION SIGNS

909 591 8431

ROTATIONAL SIGN FRAMES

Functional, attractive and cost effective, our 8-way rotational sign frames have a slotted top opening and accept signs up to .25" thick. Rotational sign frames are available in a bright chrome or black powder coat finish.

Signs and frames are available in vertical (11"H x 7"W) and horizontal (7"H x 11"W) sizes. Stock signs are black with white letters with printing on both sides. Blue signs and red signs (with white lettering) are also available.



SAMPLES OF OUR SIGNS ARE SHOWN BELOW, ALONG WITH A LISTING OF OUR STANDARD SIGN MESSAGES.



A FINISHES
Available in bright chrome and black powder coat.

B SIGN HOLDER 8-WAY ROTATION
Sign base rotates to any of 8 different positions to accommodate any viewing angle, then locks securely into place.

C SOLID SIGN FRAME ATTACHMENT
The sign holder tightly attaches into a recessed channel of the 8-way sign holder.

D SECURE ATTACHMENT TO QUICK QUEUE STANCHION
The sign holder attaches snugly over the stanchion top and does not interfere with connection points.

QUICK QUEUE ROTATIONAL SIGN HOLDER

Part No.	Product Description
07-6725	Bright Chrome Vertical Sign Holder (11"H x 7"W)
07-6726	Black Vertical Sign Holder (11"H x 7"W)
07-6735	Bright Chrome Horizontal Sign Holder (7"H x 11"W)
07-6736	Black Horizontal Sign Holder (7"H x 11"W)

STOCK SIGN MESSAGES

Part No.	Product Description
SGN01-001	"Closed"
SGN01-002	"Enter Here"
SGN01-003	"Enter Only"
SGN01-004	"Enter"
SGN01-005	"Exit Here"
SGN01-006	"Exit Only"
SGN01-007	"Exit"
SGN01-008	"Please Wait Here"
SGN01-009	"Please Wait Here For Next Available Teller"
SGN01-010	"Please Wait To Be Seated"
SGN01-011	"This Section Closed"

STANCHION SIGNS

ALVARADOMFG.COM

QUICK QUEUE LARGE SIGN FRAMES

The Quick Queue large sign frame comes with two pieces of acrylic that are used to sandwich the purchaser's own .125" thick sign.



CUSTOMIZED BELT MESSAGES

Silk screened belt messages or logos can be added to all belts.



A FINISHES

Available in mirror or brass plated.

B LARGE VISABLE SIZE

Horizontal (10.625"H x 14.5"W)

C SECURE ATTACHMENT

The sign holder attaches tightly over the Quick Queue stanchion top and does not interfere with connection points.

QUICK QUEUE LARGE SIGN HOLDER

Part No. Product Description

07-2080	Horizontal Sign Frame and Holder, Mirror Finish (10.625"H x 14.5"W)
07-2082	Horizontal Sign Frame and Holder, Brass Plated Finish (10.625"H x 14.5"W)



PEDESTRIAN QUEUING

909 591 8431

FP ROPE STANCHION

Alvarado's classic traditional FP rope stanchion utilizes velour ropes to create queuing lines. Available in bright chrome or brass plated finishes, and packaged in sets of two, the FP stanchion enhances any décor at an affordable price.

BASE STANCHION MODELS

Part No.	Product Description
PKS-02-01	FP Rope Stanchion - Chrome
PKS-02-02	FP Rope Stanchion - Brass Plated
PKS-03-01	FP Rope Stanchion - Chrome with Attached Sign Frame
PKS-03-02	FP Rope Stanchion - Brass Plated with Attached Sign Frame

STANDARD ASSEMBLED ROPE COLORS

Part No.	Product Description
RKS02-72	6' Red Velour Rope w/Chrome Snaps
RKS02-96	8' Red Velour Rope w/Chrome Snaps
RKS01-72	6' Black Velour Rope w/Chrome Snaps
RKS01-96	8' Black Velour Rope w/Chrome Snaps
RKS12-72	6' Red Velour Rope w/Brass Plated Snaps
RKS11-72	6' Black Velour Rope w/Brass Plated Snaps

STANDARD ROPE COLORS



FP WITH ATTACHED SIGN HOLDER

Available in chrome or brass plated (shown at left), the FP with attached sign holder is ideal for communicating with and guiding patrons.

The large sign holder (10.25"H x 14.5"W) includes two pieces of acrylic that sandwiches the purchaser's own .125" thick sign.



USE FP STANCHIONS TO CREATE STYLISH PORTABLE QUEUING LANES OR BARRIERS AT BANKS, THEATERS, LOBBIES, TICKET OFFICES AND MEDICAL FACILITIES.

POST & RAIL

ALVARADOMFG.COM

Alvarado's modular posts and railing can be used to create virtually any railing configuration. Alvarado offers a number of standard posts with outlets and a large number of standard railing lengths; all available for immediate shipment.

The use of our modular railing components is limited only by your imagination. Typical uses include queuing, dividing areas, channeling customers, limiting access to areas, providing a backing for pallet or merchandise storage, or as an indoor cart corral.

Combining posts and railing with Alvarado turnstiles and gates is a very inexpensive and highly effective method

of channeling customers and reducing shrinkage in retail applications.

Alvarado's 35" posts and rail are available in bright chrome, #4 (satin finish), or a #8 (mirror finish) stainless steel. Color powdercoat is also available by custom order; 44" and 48" posts are available in bright chrome.

Posts are 2.25" outside diameter. Railing is 1.75" outside diameter.

Anchors are ordered separately. Alvarado recommends "Vogue style" anchoring for most applications.

DOUBLE RAIL POST CONFIGURATION



AVAILABLE IN BRIGHT CHROME AND MIRROR AND SATIN STAINLESS STEEL FINISHES.

WALL FLANGE (WF)



The wall flange allows railing to attach directly to walls, eliminating the need for a post.

POST BUMPER GUARD (PBG)



The solid neoprene PBG wheel attaches to any 2.25" post to safeguard posts and equipment from impact damage. The PBG wheel has a 5.5" outside diameter.

TRIPLE RAIL POST CONFIGURATION



TRIPLE RAIL PROVIDES GREATER SECURITY. AVAILABLE IN BRIGHT CHROME.



DOUBLE RAIL CONFIGURED AS A CART CORRAL. CB BUMPER AT THE END OF THE CORRAL PROVIDES A STOP FOR CARTS.

OPTIONS FOR POST & RAIL

Part No.	Product Description
WF	Wall Flange
PBG	Post Bumper Guard

ANCHORING OPTIONS

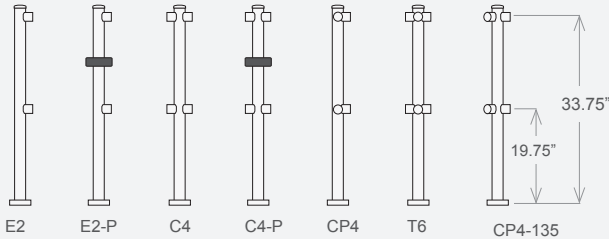
SB14	Vogue Anchor & Bolt Set (ONE SET REQUIRED PER POST)
------	--

POST & RAIL

909 591 8431

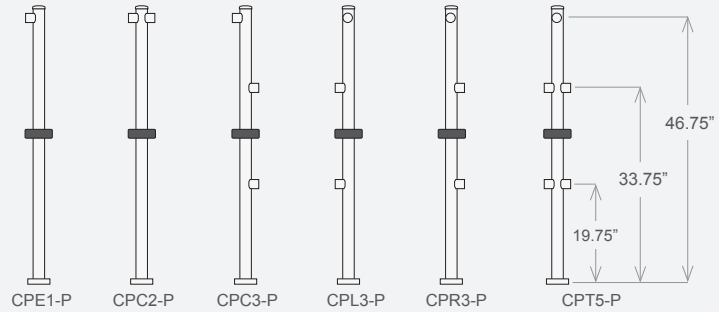
STANDARD POST CONFIGURATIONS

35" DOUBLE RAIL POSTS



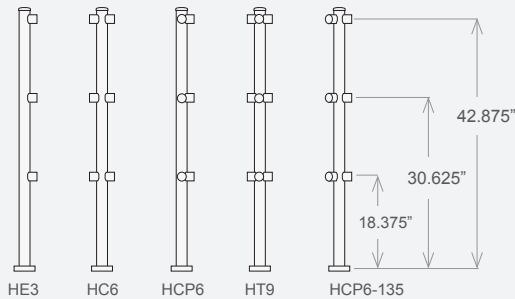
AVAILABLE IN BRIGHT CHROME AND STAINLESS STEEL (SATIN AND MIRROR FINISH).

48" POSTS USED FOR CART PASSAGE



AVAILABLE IN BRIGHT CHROME ONLY

44" TRIPLE RAIL POSTS

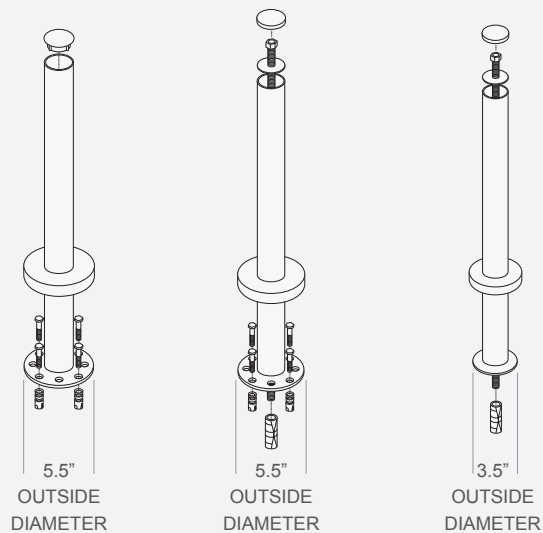


AVAILABLE IN BRIGHT CHROME ONLY

ANCHORING OPTIONS FOR ALL POSTS

Part No.	Product Description
VZCA-35, 44, or 48	Vogue to Zenith Conversion/Anchoring Kit for 35", 44", or 48" Posts
ZSA1	Center Anchor for Zenith/Space Saver Posts
SB14	Vogue Anchor & Bolt Set (ONE SET REQUIRED PER POST)
REO-KIT	Removable Post Anchoring Kit (VOGUE POSTS ONLY)

ANCHORING OPTIONS FOR POST & RAIL



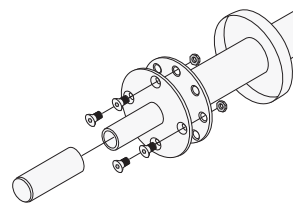
VOGUE

ZENITH

SPACE SAVER

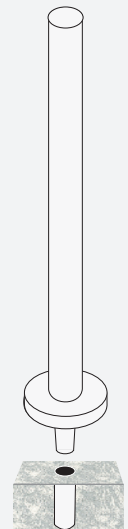
REMOVABLE POST ANCHORING KIT (REO)

The REO anchoring kit makes any vogue style post removable.



REO Kit attaches to Vogue Post Base with four screws.

Vogue Post inserts into a core drilled floor socket.



SELF CLOSING GATES

ALVARADOMFG.COM

MODEL VSG

Alvarado's line of VSG gates are ideal for providing wheelchair or delivery access. The gates can be installed stand-alone, or used in conjunction with turnstiles and railing. Post outlets can be added to either the hinge or latch posts to incorporate railing with the gate installation.

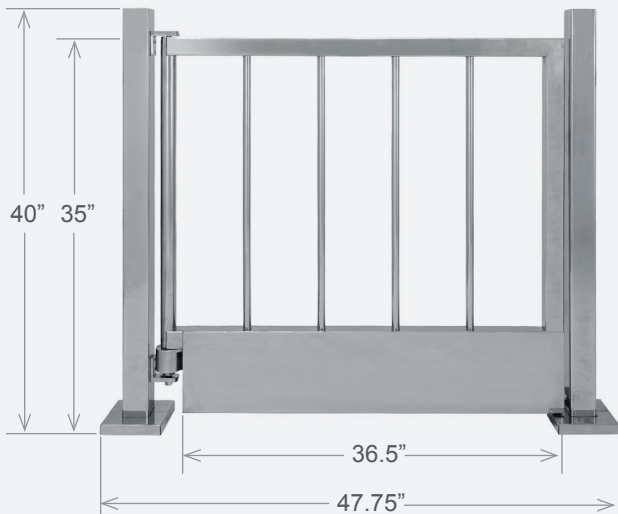
All gates are available with either infill bars or a clear acrylic panel and wheelchair decal (see photos below).

VSG gates are fabricated from stainless steel and come in a #4 (satin) or #8 (mirror) finish. Each gate comes with a Vogue anchor and bolt set for the hinge and latch posts.

VSG GATES COME IN THREE CONFIGURATIONS:

VSG-1— manual (no lock) with a single direction swing. This version comes with a hydraulic dampener that minimizes slamming during closure.

VSGX-1— electric lock (magnetic lock) with a single direction swing. The VSGX-1 comes with a hydraulic dampener that minimizes slamming during closure.



VSG WITH METAL INFILL BARS IN A #4 (SATIN) FINISH.



VSG WITH ACRYLIC PANEL INFILL IN A #8 (MIRROR) FINISH.

OPTIONS FOR VSG GATE

Part No.	Product Description
WO-SS	Flat Back Post Outlet - Loose (MIRROR FINISH)
WO-SSS	Flat Back Post Outlet - Loose (SATIN FINISH)
10-1423	Push Button Assembly to activate VSGX Gates



Electric locks allow remote opening through the use of a push button or other access device at remote locations such as a checkstand or help desk. (VSGX models only)

SELF CLOSING GATES

909 591 8431

MODEL GDO

Alvarado's GDO is a durable, single direction, self-closing double gate suitable for use in demanding shopping cart and equipment entry applications.

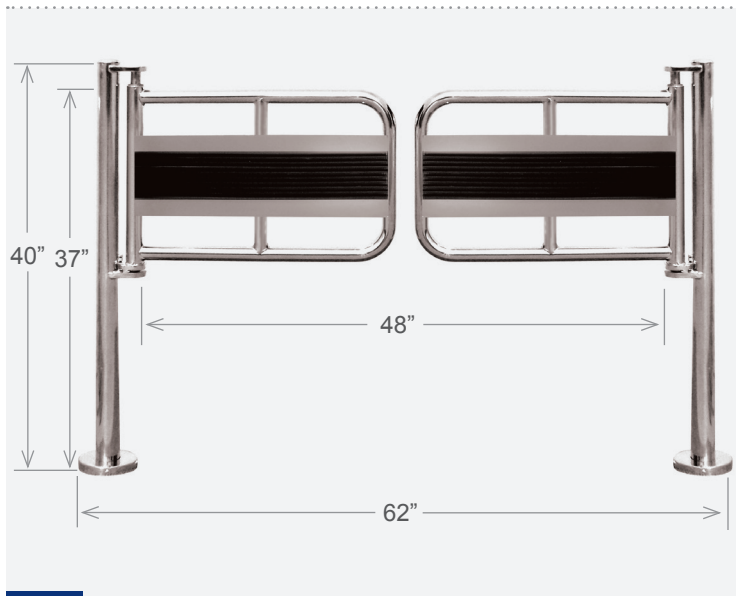
The gate has a robust closure mechanism that provides smooth, self-closing operation. Crash plates welded to the entry side of the gate arms make the GDO ideal for one-way stocking or shopping cart pass-through. High impact bumper strips with a near-permanent adhesive are included to dampen noise and provide protection against cart damage.

With a 48" passage width, the GDO gate can be installed stand alone or used in conjunction with posts, railing, and turnstiles.

Optional factory attached outlets are available for integration with Alvarado post and rail.

Standard finish for the GDO gate is bright chrome.

Contact customer service for factory installed railing outlet options.



GDO WITH 48" PASSAGE WIDTH.

OPTIONS FOR GDO GATE

Part No.	Product Description
PO2	Post Outlet - Loose
SB14	Vogue Anchor & Bolt Set (ONE SET REQUIRED PER POST)

Dual GDO gates are shown in a "sally port" configuration. This application requires entering customers to pass through a dual set of GDO gates. The dual set of gates are easy to enter, but difficult to exit through. This setup naturally funnels exiting customers through check stand areas. Railing, one way turnstiles and VSG gates can be added to accommodate pedestrian foot traffic.

SELF CLOSING GATES

ALVARADOMFG.COM

MODEL CSG/SSG

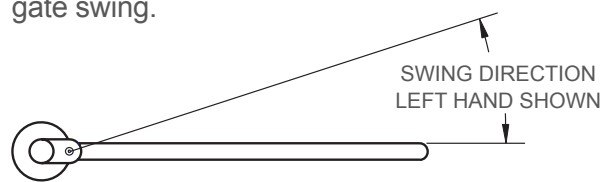
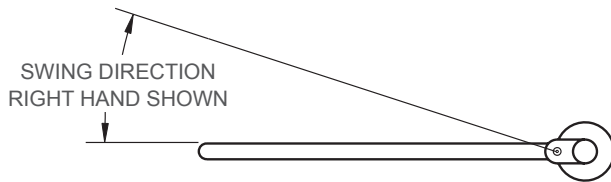
Alvarado's CSG and SSG are durable single direction, self-closing gates that can be used in retail stores, schools, libraries, amusement parks and other applications.

Features include a welded gate arm, solid construction and an enclosed closure mechanism that provides smooth, self-closing operation.

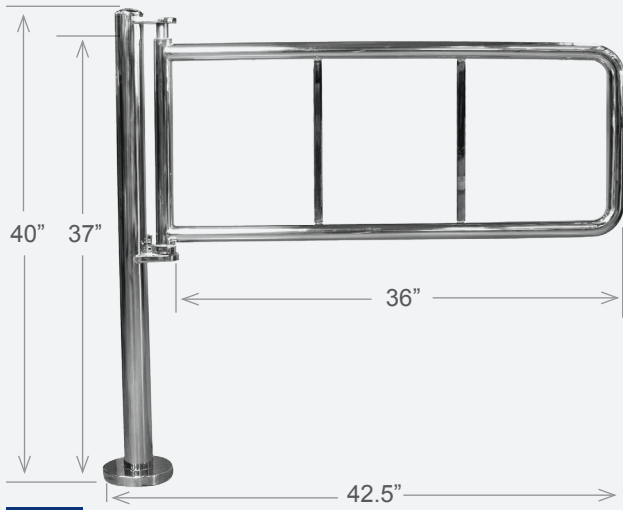
CSG and SSG gates have a 36" passage width and can be installed as a stand-alone gate, or used in conjunction with Alvarado post and railing. Gates open in a single direction to approximately 90° and close to the "home" position.

Optional factory attached outlets can be added to the gate post for integration with Alvarado post and rail.

Both gates are available in either a right or left hand gate swing.



MODEL CSG



THE CSG FINISH IS BRIGHT CHROME.

MODEL SSG



THE SSG FINISH IS SATIN STAINLESS STEEL.

CSG MODEL

SSG MODEL

CSG36-001 Right Hand SSG36-001 Right Hand

CSG36-002 Left Hand SSG36-002 Left Hand

OPTIONS FOR CSG & SSG GATE

Part No.	Product Description
PO2	Post Outlet - Loose
SB14	Vogue Anchor & Bolt Set (ONE SET REQUIRED PER POST)
SIGNS	SEE PAGE 5 FOR ADDITIONAL INFORMATION



CSG and SSG infill bars are spaced to allow the attachment of our landscape (7"H x 11"W) signs.

MANUAL CLOSING GATES

909 591 8431

MODEL LG-36

Alvarado's LG latch gates can be used as stand-alone gates, or in conjunction with post & rail systems.

The LG features a unique lower bearing outlet that provides superior stability. The gate includes a latch post with a reversible finger latch assembly that allows the gate to be configured in the field as either a right or left hand gate swing. The latch can be padlocked for added security. Standard finish is bright chrome.



The LG's durable latch finger is reversible, allowing the swing direction to be changed in the field.

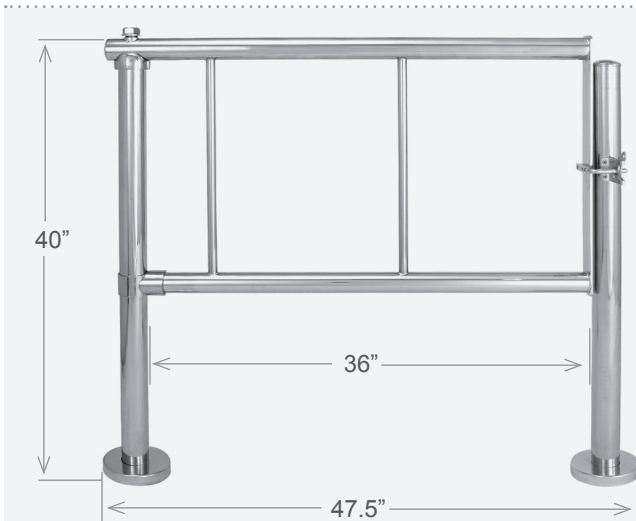
MODEL SL-10

Alvarado's SL-10 gate is an inexpensive, effective solution for applications that require a gate that can be easily added to a post and rail systems.

The SL-10 fits securely over an Alvarado 2.25" diameter post and has a U-Latch that attaches to an adjacent post. Latch posts and hinge posts are sold separately. Standard finish is bright chrome.



The SL gate's durable U-latch assembly can be padlocked for added security.



LG GATE INCLUDES POSTS AS SHOWN.



HINGE AND LATCH POSTS ARE SOLD SEPARATELY FOR THE SL-10.

LG-36 MODEL

SL-10 MODEL

LGA36-001 Reversible SL-10 Bi-directional

OPTIONS FOR LG-36 & SL-10 GATE

Part No.	Product Description
<input type="checkbox"/> PO2	Post Outlet - Loose
<input type="checkbox"/> SB14	Vogue Anchor & Bolt Set (ONE SET REQUIRED PER GATE AND LATCH POST).
<input type="checkbox"/> VEO35	Hinge & Latch Post (SL-10 ONLY)

SEE AVAILABLE VEO POSTS ON PAGE 20



Double sleeved hinge fits over a 2.25" diameter post.

THREE-ARM TURNSTILES

ALVARADOMFG.COM

MODEL SLT

Alvarado's SLT provides reliable entry control and accurate patron counting in a streamlined, compact design.

The low cost SLT has many of the same features found in much more expensive models, including hardened steel internal components, and a hydraulically dampened self-centering arm rotation - providing patrons with smooth, effortless passage.

The SLT features four-way key override controls. With the turn of a key, the turnstile can be set to rotate in the entry direction, in the exit direction, in both directions or it can be locked down in both directions.

The SLT comes standard with a stainless steel lid, and is available with a satin finished stainless steel or a black powder coated cabinet.



Resettable and non-resettable counters are available.



Key override control allows field configuration of rotation direction.



USAGE EXAMPLE

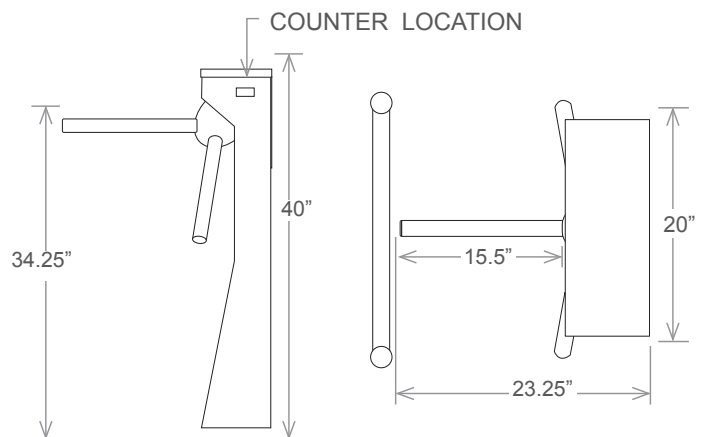
Turnstiles should be used with a barrier, such as a railing section, to prevent patrons from passing without rotating the turnstile arms.



THE SLT OFFERS RELIABLE ACCESS CONTROL AT A COST EFFECTIVE PRICE.

OPTIONS FOR SLT TURNSTILE

Model No.	Product Description
SLT-BC	Battery Powered Counter (NON-RESETTABLE, ONE REQUIRED PER DIRECTION OF COUNTING)
SLT-BCR	Battery Powered Counter (KEY-RESETTABLE, ONE REQUIRED PER DIRECTION OF COUNTING)
SLT-PORT	Portable Base Plate with Guide Rail
SLT-PORT-W	Portable Base Plate with Guide Rail and Wheels



THREE-ARM TURNSTILES

909 591 8431

MODEL W

Alvarado's Model W is a compact, three-arm turnstile that rotates in one direction.

Model W turnstiles are solidly constructed and provide smooth, self-centering arm rotation. The turnstile may be ordered with clockwise or counter clockwise rotation.

Typically used in conjunction with post and rail systems, Model W turnstiles are easy to install and require less installation space than four-arm turnstiles, yet still provide a comfortable patron passage width.

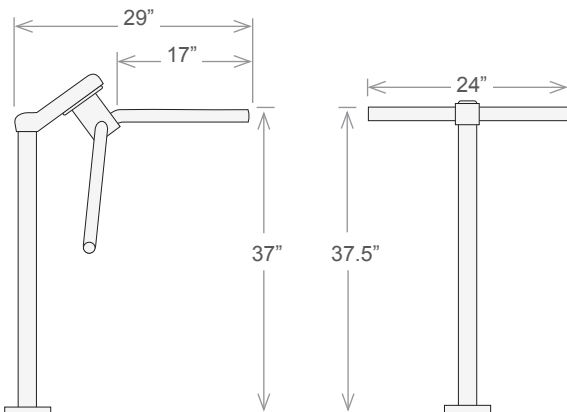
Model W turnstiles attach to a post (included) as shown below. Standard finish is bright chrome.



MODEL W TURNSTILE SHOWN WITH OPTIONAL STRAIGHT YOKE.



THE SMALL FOOTPRINT OF THE W TURNSTILE, COMBINED WITH OUR MODULAR POST & RAILING AND A VSG GATE, PROVIDES CONTROLLED ENTRY IN A COMPACT SPACE.



W MODEL

[WSA01-001](#) Left Hand [WSA01-003](#) Right Hand

OPTIONS FOR W TURNSTILE

Part No.	Product Description
YAS35-001	Straight Yoke Mounted on a 37.5" Vogue Post, Bright Finish
PO2	Rail Outlet - Loose
SB14	Vogue Anchor & Bolt Set (ONE SET REQUIRED PER POST)

FOUR-ARM TURNSTILES

ALVARADOMFG.COM

MODEL GST

Alvarado's Model GST four-arm turnstile is an ideal choice for loss prevention in retail stores and other facilities.

The GST's classic profile looks great and provides protection against wrong-way or crawl under pedestrian passage while maintaining a comfortable passage width.

The GST turnstile rotates silently in one direction and can be easily set for clockwise or counter clockwise rotation in the field.

Compatible with Alvarado rail systems, GST turnstiles may be ordered with optional factory-attached rail outlets that simplify integration with your railing layout.

The GST comes with all components shown in the photo below at right. Standard finish is bright chrome.



A GST TURNSTILE, VSG GATE AND POST & RAILING PROVIDE PEDESTRIAN AND DISABLED STORE ACCESS.



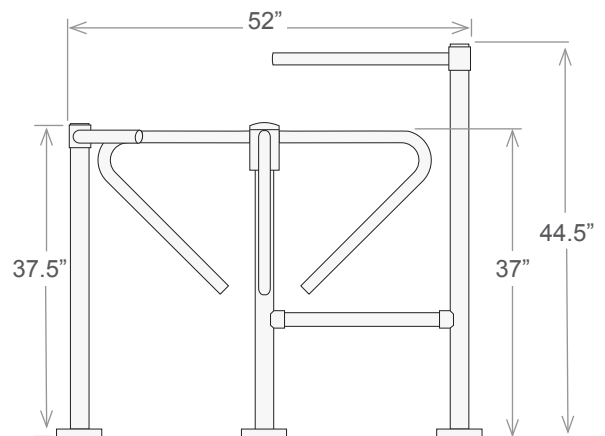
THE BASE GST MODEL INCLUDES ALL COMPONENTS DISPLAYED IN PHOTO ABOVE.

GST MODEL

GST01-001 Four Arm Turnstile

OPTIONS FOR GST TURNSTILE

Model No.	Product Description
PO2	Rail Outlet - Loose
SB14	Vogue Anchor & Bolt Set (ONE SET REQUIRED PER POST)



FOUR-ARM TURNSTILES

909 591 8431

MODEL MT

The Model MT is Alvarado's industry standard four-arm turnstile that provides single direction passage control.

The MT is solidly constructed and utilizes a silent one-way clutch that allows the turnstile to rotate in one direction.

The turnstile comes standard in clockwise rotation but may be easily changed to counter clockwise in the field.

Often used in conjunction with post and rail systems, MT turnstiles are ideal for any application where patron flow control is desired.

Model MT turnstiles are available as a single, standard post-mounted unit with all components shown below. Standard finish is bright chrome.



THE BASE MT MODEL INCLUDES ALL COMPONENTS DISPLAYED IN THE PHOTO ABOVE.



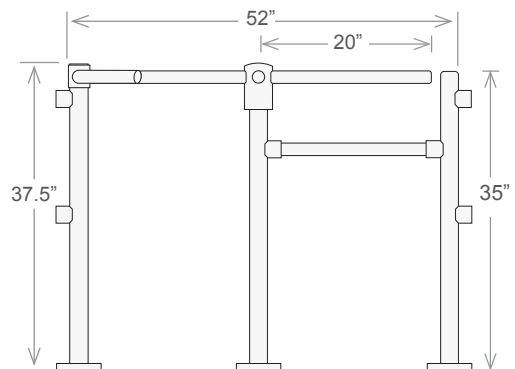
AN MT PROVIDES ONE WAY ENTRY CONTROL IN A RETAIL APPLICATION.

MT MODEL

MTA01-001 Four Arm Turnstile

OPTIONS FOR MT TURNSTILE

Model No.	Product Description
PO2	Rail Outlet - Loose
SB14	Vogue Anchor & Bolt Set (ONE SET REQUIRED PER POST)



SHOWN WITH OPTIONAL RAIL OUTLETS.

CASE & FIXTURE PROTECTION

ALVARADOMFG.COM

REMOVEABLE CORNER GUARDS

Alvarado's Defender SS and Defender XT removable corner guards are the perfect choice to protect expensive store assets.

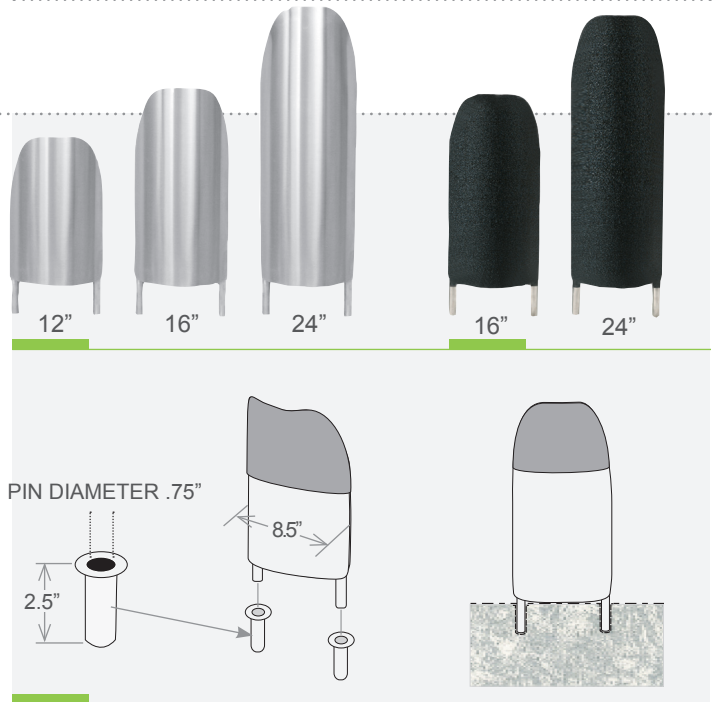
The stainless steel SS model has a satin finish that matches virtually any décor. Secure fitting color accent caps can be added for a splash of color if desired.

The Defender XT adds an extra measure of protection with an extremely tough polyurethane coating that will not chip or peel. The Defender XT comes standard in all-purpose matching black. Custom colors are available with quantity orders.

Each Defender case protector fits into stainless steel floor sockets - which are provided - allowing the product to be removed for floor cleaning.

DEFENDER SS

DEFENDER XT



DEFENDER SS SHOWN WITH OPTIONAL ACCENT CAP.

ALL DEFENDER CORNER GUARDS ARE REMOVABLE.

SS CORNER GUARDS

XT CORNER GUARDS

DSS-12 12"

DXT-16 16"

DSS-16 16"

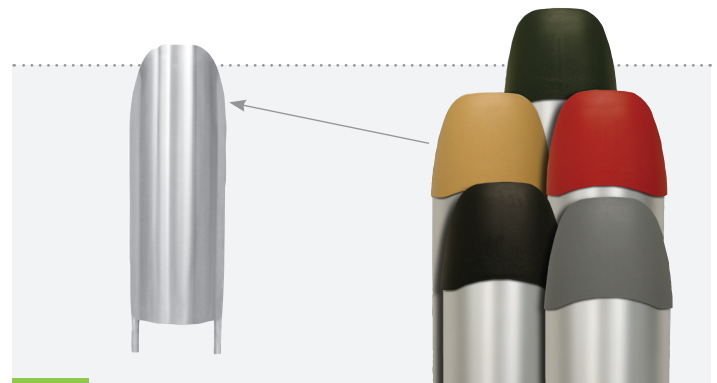
DXT-24 24"

DSS-24 24"

ACCENT CAPS FOR DEFENDER SS

Model No.	Product Description
08-2395-BLK	BLACK
08-2395-HTG	HUNTER GREEN
08-2395-RED	RED
08-2395-BGE	BEIGE
08-2395-GRY	GRAY

DEFENDER ACCENT CAP COLORS



DEFENDERS ARE GENERALLY IN STOCK AND AVAILABLE.

CASE & FIXTURE PROTECTION

909 591 8431

FIXED CORNER GUARDS

The durable CRI provides high impact protection and a classic rounded look for protection of refrigerated cases and retail fixtures.

The CRI is available in 12", 16" and 24" heights in a bright chrome finish.

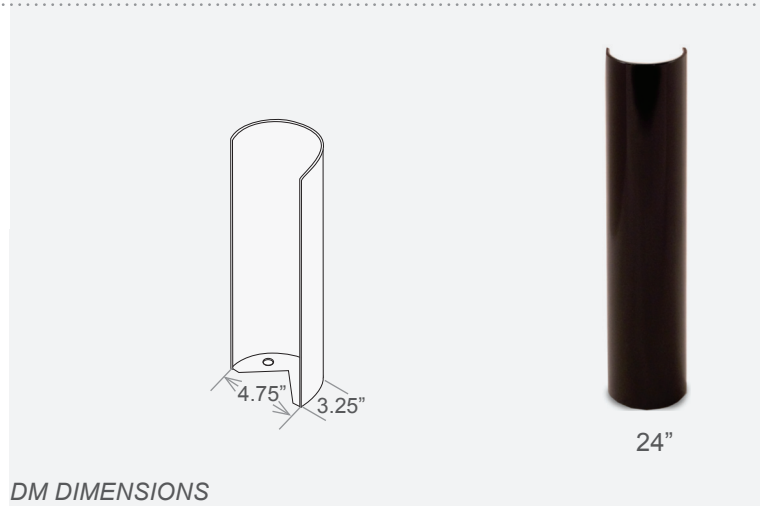
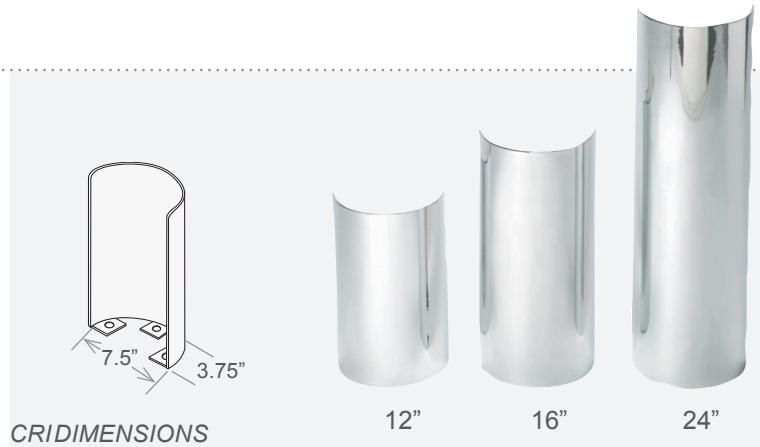
All CRI's come with expansion anchors.

DM

The 24" high DM features a tightly curved protection plate and V-cut interior mounting base, which allows the DM to be installed in close proximity to cases, fixtures and electronic article surveillance equipment.

DM corner guards have a black powder coat finish.

All DM's come with wedge anchors.



CRI CORNER GUARDS

DM CORNER GUARDS

CRI-12 12"

CRI-16 16"

CRI-24 24"

DM24-PF 24"



DM CORNER GUARD PROTECTING ELECTRONIC ARTICLE SURVEILLANCE EQUIPMENT.

CASE & FIXTURE PROTECTION

ALVARADOMFG.COM

FIXED ANCHORED POSTS

Fixed posts are an excellent choice for protecting store equipment and assets. Alvarado offers several fixed posts in varying heights and widths.

All posts, except the Space Saver post, include a flange cover. The Space Saver post has a polished flange.

VOGUE POST



AVAILABLE HEIGHTS:

35", 48"

BASE DIAMETER:

5.5"

TUBE DIAMETER:

2.25"

AVAILABLE FINISHES:

Bright Chrome (ALL SIZES)
Mirror Stainless, and
Satin Stainless (35" ONLY)

VEO-35 VHEO-48

C-POST



AVAILABLE HEIGHTS:

36"

BASE DIAMETER:

5.5"

TUBE DIAMETER:

3"

AVAILABLE FINISHES:

Bright Chrome

CBP36-C

SPACE SAVER SSP POST



AVAILABLE HEIGHTS:

35"

BASE DIAMETER:

3.5"

TUBE DIAMETER:

2.25"

AVAILABLE FINISHES:

Mirror Stainless
SPACE SAVER SSP POSTS
COME WITH ANCHORING
HARDWARE

05-5041-00

FSB POST



AVAILABLE HEIGHTS:

24"

BASE DIAMETER:

5.5"

TUBE DIAMETER:

3"

AVAILABLE FINISHES:

Black Powder Coat

FSB24-B

SPACE SAVER POST



AVAILABLE HEIGHTS:

35"

BASE DIAMETER:

3.5"

TUBE DIAMETER:

2.25"

AVAILABLE FINISHES:

Bright Chrome
SPACE SAVER POSTS
COME WITH ANCHORING
HARDWARE

SEO35

Post bumper guard (PBG) wheels can be added to protect posts and assets from shopping cart damage. (SEE PAGE 8)



SPACE SAVER POSTS HAVE A COMPACT BASE DIAMETER THAT SAVES FLOOR SPACE AND COME WITH A REMOVABLE CAP THAT ALLOWS THE POST TO BE CUT DOWN TO A CUSTOM HEIGHT IN THE FIELD.

CASE & FIXTURE PROTECTION

909 591 8431

REMOVABLE POSTS

Removable posts are an excellent choice for protecting assets and wall corners. Alvarado offers mirror and satin

stainless steel posts that protect store assets and can be quickly removed for easy floor cleaning and/or aisle passage.

LS REMOVABLE POSTS



AVAILABLE HEIGHTS:

35"

BASE DIAMETER:

5.5"

TUBE DIAMETER:

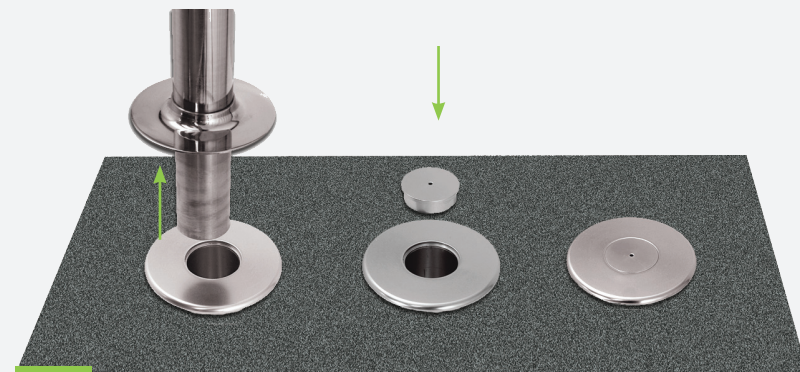
2"

AVAILABLE FINISHES:

Mirror Stainless, Satin Stainless

LSR 35-001-MIRROR

LSR 35-002-SATIN

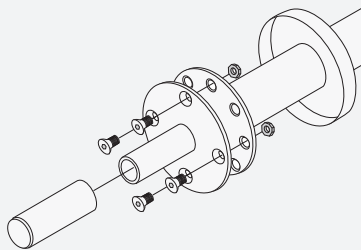


LS POSTS HAVE A WELDED TOP CAP, POLISHED SMOOTH FOR A SEAMLESS FINISH.

THE LS REMOVABLE POST COMES WITH A SOCKET AND CAP. THE SOCKET SECURES INTO A CORE DRILLED HOLE. WHEN THE POST IS REMOVED, THE SMALL CAP COVERS THE HOLE OPENING.

REO KIT

1. The REO Kit makes any standard Vogue Post removable.

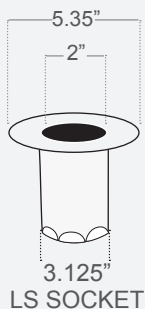


2. Core hole and insert socket.



SOCKETS

3. Post securely slides into the socket.



REO KIT
SOCKET



REO KIT MAKES ANY
VOGUE POST REMOVABLE.

CASE & FIXTURE PROTECTION

ALVARADOMFG.COM

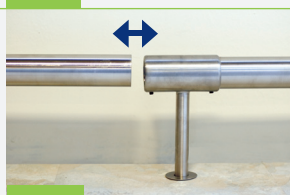
SSB BUMPER SYSTEM

Alvarado's SSB removable stainless steel bumper system is designed to protect walls, cases and retail fixtures from impact damage caused by shopping carts, stocking carts and other equipment.

- The SSB's modular design offers unequalled installation flexibility and the ability to create seamless runs.
- Smaller product packaging reduces shipping costs.
- Corner sections available in 90° and 135°.
- Available in a #4 (satin) finish.



SSB BUMPERS ARE DESIGNED TO PROVIDE REMOVABLE CASE AND WALL PROTECTION.



THE MODULAR SSB IS EASY TO ASSEMBLE AND INSTALL.



CB BUMPER SYSTEM

Our heavy-duty CB spring action steel bumper system is the preferred choice for cart corrals and other high impact case and wall protection applications.

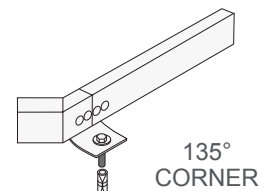
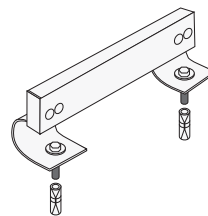
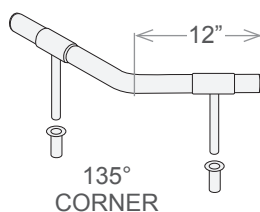
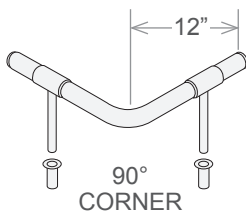
- Individual lengths can be seamlessly joined to provide long protection runs.
- Smaller product packaging reduces shipping costs.
- 135° corner sections are available.
- Available in bright chrome finish.



UNIQUELY ENGINEERED FEET ABSORB SHOCK, YET RETAIN THEIR SHAPE.



INDIVIDUAL SECTIONS CONNECT TOGETHER TO CREATE UNBROKEN PROTECTION RUNS.



Heavy duty 1" bolts and double expansion anchors provide installation stability. 135° corner attaches to straight rail sections.

WAREHOUSE AND BACKROOM

909 591 8431

BOLLARDS

Alvarado's rugged line of steel bollards are designed for heavy-duty case and fixture protection in store, backroom and warehouse applications.

Available in two different models, Alvarado's bollards are made from heavy gauge steel tubing.

Our 4.5" diameter Core Drilled Bollard is 60" high. Core Drilled Bollards can be filled with concrete to provide even greater reinforcement, stability and protection.

The 4.5" diameter DSB bollard has a smooth welded domed steel cap and a 7.5" diameter base flange.

The DSB bollard installs easily using standard floor anchors.

An optional heavy cast base cover is available for either the Core Drilled or DSB Bollards.

The DSB is available in 32" and 48" heights, and comes in safety yellow (both sizes) or a gloss black finish (32" only).

The Core Drilled Bollard comes in gloss black.

CORE DRILLED BOLLARDS

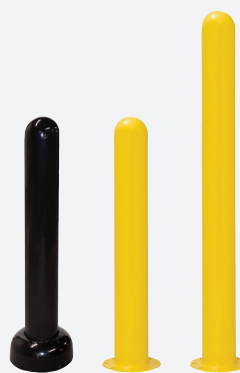


CDB60-B

AVAILABLE HEIGHTS:
60"
TUBE DIAMETER:
4.5"
MATERIAL THICKNESS:
.125"
FINISH:
Black
OPTIONAL BASE COVER DIAMETER:
8.75"

60" CORE DRILLED BOLLARDS FEATURE A BLACK POWDER COAT FINISH SUITABLE FOR PAINTING OR APPLYING SAFETY TAPE.

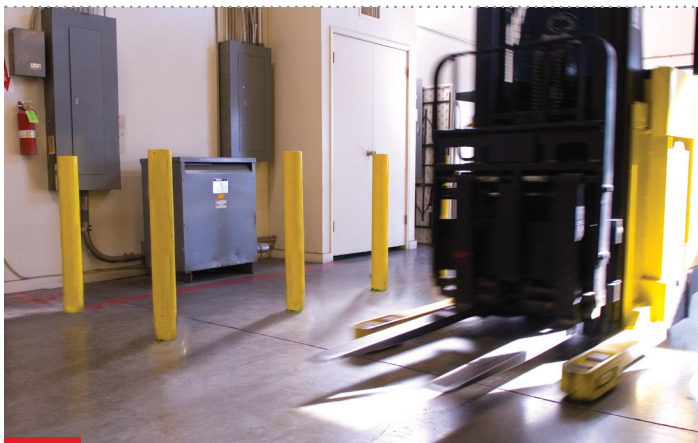
DSB BOLLARDS



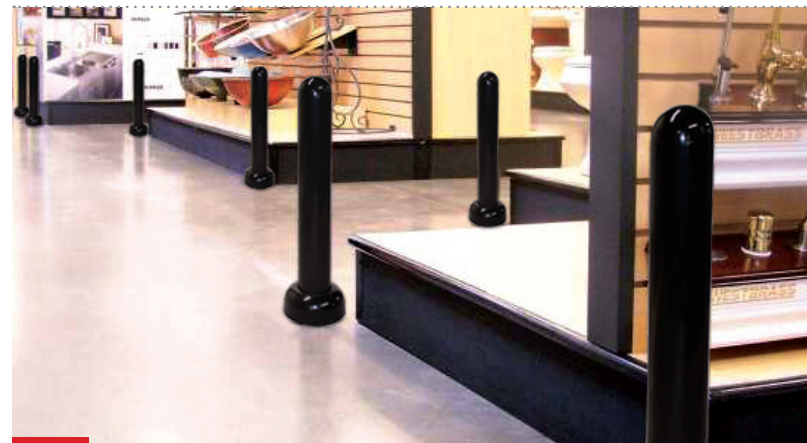
DSB32-B DSB32-Y DSB48-Y

AVAILABLE HEIGHTS:
32", 48"
TUBE DIAMETER:
4.5"
MATERIAL THICKNESS:
.125"
FINISH:
Black, Safety Yellow
OPTIONAL BASE COVER DIAMETER:
8.75" (Black Only)

32" BLACK DSB SHOWN WITH OPTIONAL HEAVY CAST IRON BASE COVER. (BASE COVER AVAILABLE IN BLACK ONLY)



60" CORE DRILLED BOLLARDS ARE IDEAL FOR WAREHOUSE APPLICATIONS.



ALVARADO'S ATTRACTIVE DSB BOLLARDS ARE SHOWN PROTECTING DISPLAYS IN A RETAIL STORE APPLICATION.

WAREHOUSE AND BACKROOM

ALVARADOMFG.COM

WATCHMAN COLLISION AVOIDANCE ALARM

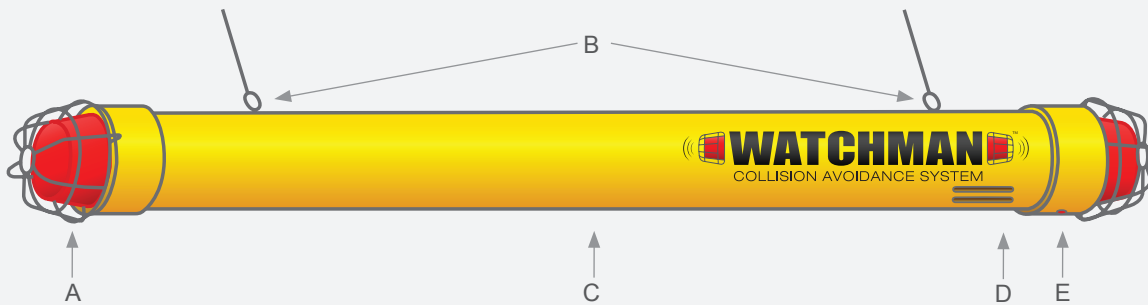
Alvarado's newly redesigned Watchman helps prevent costly repairs and injuries caused by forklifts in warehouses factories, stores and other facilities.

When installed in front of (and slightly below) roll up doors and overhead objects, contact with the Watchman triggers a loud siren and flashing red lights, warning forklift drivers and warehouse management before a collision occurs.

In addition to overhead doors, the Watchman can be used to protect conveyor systems, canopies, walls, pipes, sprinklers, ducts and other overhead fixtures.

The patented Watchman can be purchased for a fraction of the average repair bill for a damaged overhead door, making it practical to equip your entire facility with this unique safety device.

Available in battery or AC powered versions.



A FLASHING LIGHTS WITH PROTECTIVE GUARDS

B CEILING MOUNT CABLE CONNECTIONS

C IMPACT RESISTANT SAFETY YELLOW ABS TUBING

D LOUD ADJUSTABLE DURATION ALARM

E LOW BATTERY INDICATOR LIGHT

BATTERY POWERED UNITS

Part No.	Product Description
WM-0808B	8' Length
WM-0810B	10' Length
WM-0812B	12' Length

**BATTERY LIFE EXCEEDS 1 YEAR WITH NORMAL USE.*

AC POWERED UNITS

Part No.	Product Description
WM-0808	8' Length
WM-0810	10' Length
WM-0812	12' Length

**AC POWERED UNITS INCLUDE A 115VAC POWER SUPPLY THAT STEPS DOWN POWER TO LOW VOLTAGE.*



CONFIGURATION GUIDE

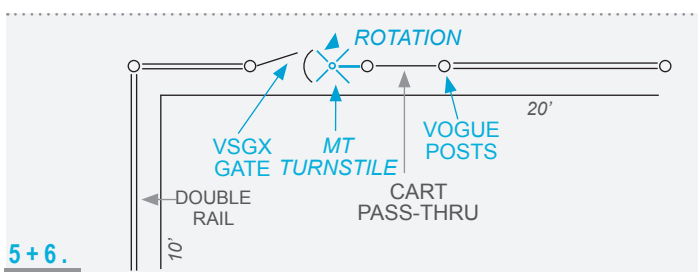
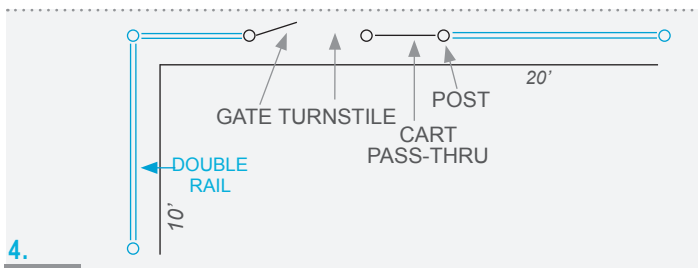
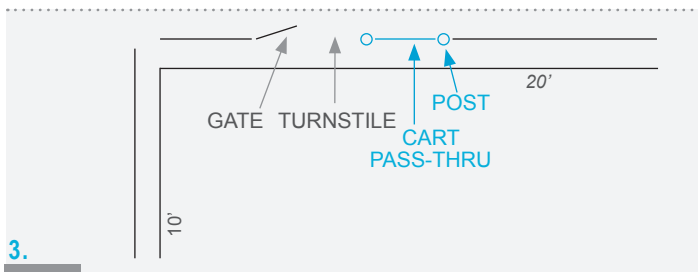
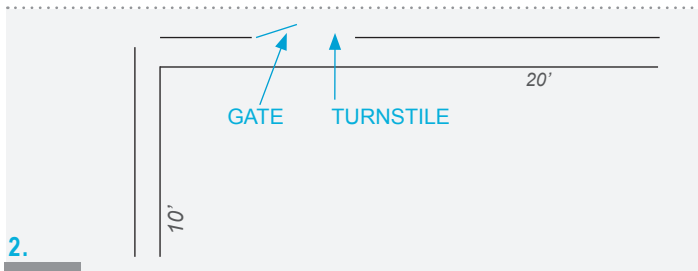
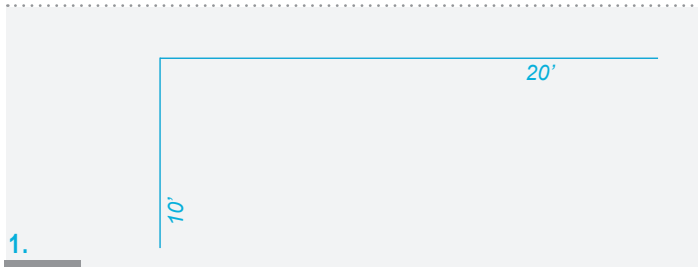
909 591 8431



Please use the information below to provide a pedestrian traffic control layout. Complete the layout as indicated and include it with your inquiry or order. This will allow us to process quotes and orders quickly and minimize back and forth communication.

STEP 1. Provide overall dimensions of the area.

STEP 2. Mark off entrances and exits as well as where turnstiles and/or gates will be installed (where applicable).

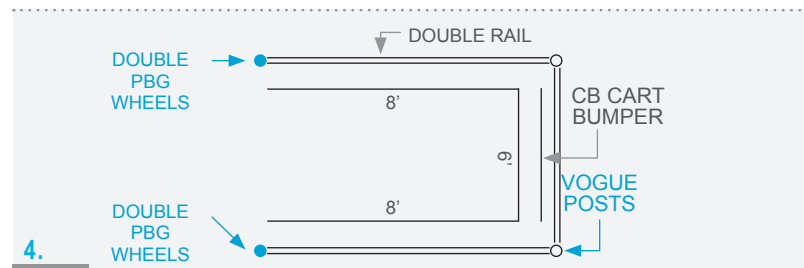
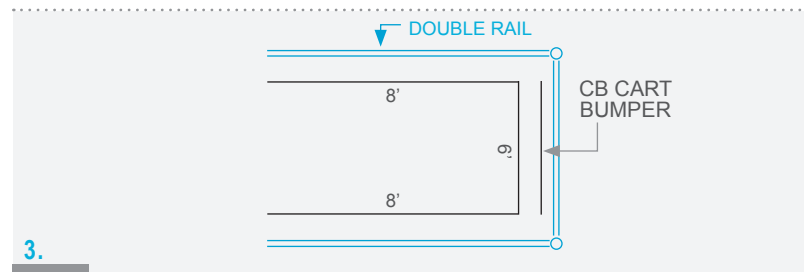
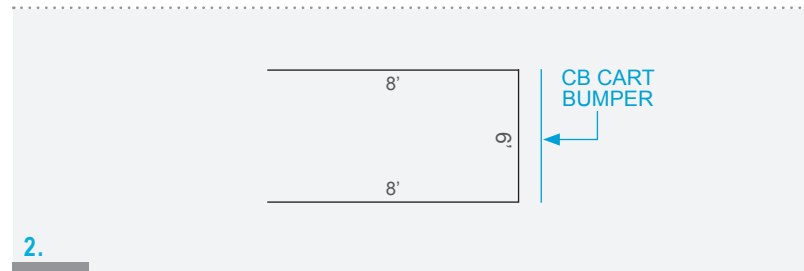
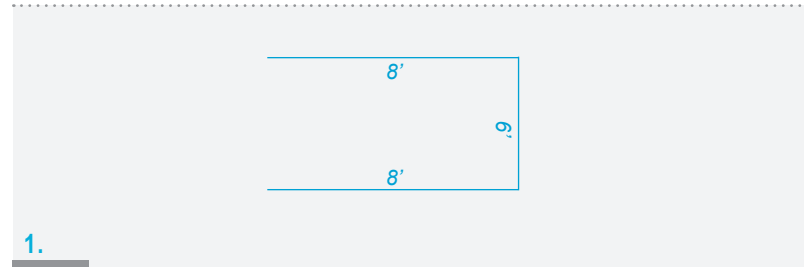
STEP 3. If shopping cart passes or cart bumper is used, specify the space.



STEP 4. Show type of post and rail configuration (DOUBLE RAIL  OR TRIPLE RAIL ).

STEP 5. Specify gate and/or turnstile models and post anchoring and any special post types.

STEP 6. Specify gate options and swing direction of gate.



Each additional step is highlighted in blue so you can quickly see what has been added to the layout.

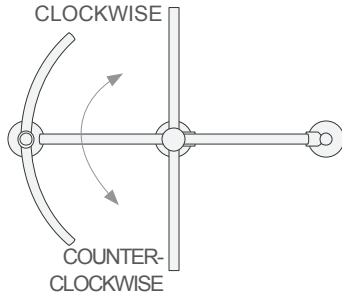
VOGUE POSTS VSGX, PART#10-1423, #8 BRIGHT FINISH WITH ACRYLIC PANEL. PUSH BUTTON TO ACTIVATE GATE.

ORDERING INFORMATION

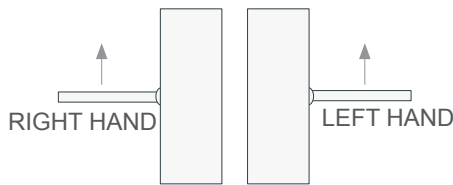
ALVARADOMFG.COM

ROTATION/SWING

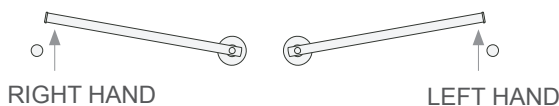
FOUR-ARM TURNSTILE



THREE-ARM TURNSTILE



SINGLE DIRECTION GATES



PAYMENT TERMS

Orders are payable by check, credit card (Master Card or Visa) - 30 day terms may be extended to regular qualifying purchasers after approval of credit.

Orders are subject to a minimum purchase charge.

FREIGHT TERMS

Shipments are F.O.B. Chino, CA U.S.A.

WARRANTY

For a period of one year from the date of purchase, Alvarado will replace or repair, at our option, any product or part which is defective in materials or workmanship, provided recommended installation and maintenance procedures are followed. This warranty is void if damage is due to improper installation, maintenance, misuse or misapplication. This warranty is limited to parts only and does not include labor or shipping charges incurred with the removal or replacement of warranted products or parts.

CANCELLATION AND RETURNS

Cancellation of an order of standard items is subject to a minimum 40% restocking fee. Orders cannot be cancelled after shipment. Custom orders, which include any product incorporating an option, cannot be cancelled. Modifications during production may incur additional charges.

SPECIFICATIONS

The product specifications shown in this catalogue are for informational purposes only. Specifications and dimensions may change without notice. When specifications or colors are critical, consult the factory for current information.

OTHER ALVARADO PRODUCTS

909 591 8431

SECURED ENTRY CONTROL & ADMISSION CONTROL SOLUTIONS

OPTICAL TURNSTILES
FULL HEIGHT TURNSTILES & GATES
WAIST HIGH TURNSTILES



WAIST HIGH TURNSTILE

FACILITY
ADMISSION
CONTROL

HARDWARE
& SOFTWARE



TICKET ADMISSION SYSTEMS



FULL HEIGHT INTERIOR TURNSTILES

BARRIER WING OPTICAL TURNSTILES



FULL HEIGHT EXTERIOR TURNSTILES



BARRIER ARM OPTICAL TURNSTILES

SUPERVISOR 4000

Alvarado's SU4000 provides the highest level of security that an optical turnstile can offer.

Full height retracting glass panels ensure that invalid entries do not occur by crawling under or over barrier.

This cutting edge turnstile features an LCD screen which can display corporate images, videos, and custom audio prompts.



FULL PANEL GLASS BARRIER OPTICAL TURNSTILES



COMPUTERIZED PATRON COUNTING TURNSTILES

ADDRESS:

Alvarado
12660 Colony Street
Chino, California 91710

PHONE: 909 591 8431

FAX: 909 628 1403

TOLL FREE: 800 423 4143

WEB: www.alvaradomfg.com