

CB Cart Bumper Installation Instructions

Materials Enclosed:

- CB Bumper
- Spring Post
- End Caps
- Anchor Package

Tools Required:

- Hammer Drill
- 1" Concrete Drill Bit
- Ratchet
- 3/4" and 15/16" Sockets
- Torque Wrench
- Shop Vacuum

PRECAUTIONS

Read this installation guide in its entirety before installing bumpers. If there are any questions, call Alvarado at 909-591-8431 or 800-423-4143, Monday through Friday, 6:00 AM to 4:30PM PST.

WARNING

Installers and Store Personnel: Customers can trip on case protectors and floor bumpers if installed improperly. Because of the many different types of cases and store layouts, it is the responsibility of the installer and store personnel to determine the correct use of case protection equipment. DO NOT install floor bumpers in the way of pedestrian traffic.

Installation Instructions

1. Align the holes on the CB Rail with the two outer holes of the Spring Post (as shown in Figure 1). Inset bolt through CB Rail and then through the Spring Post. Attach end cap by sliding the end cap between the back of the Spring Post and the washer on the outer bolt, before tightening the outer bolt with the 3/4" wrench.

NOTE

If attaching another CB Rail or Corner Rail refer to Figure 2 for assembly diagram.

2. Place the assembly in the desired position. Bumpers should be installed as close to the fixture as possible. Mark the position of the anchor holes and remove the assembly.
3. Using a 1" drill bit, drill a minimum 3" deep hole at the center of each marked position.

NOTE

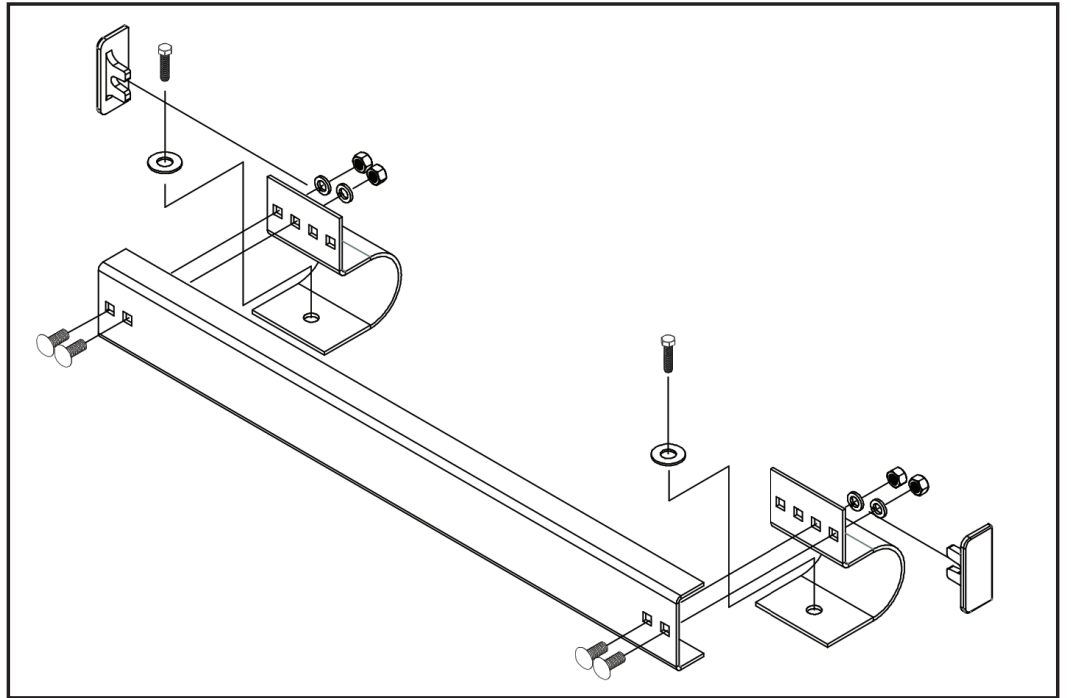
Vacuum ALL dust and debris from the holes. If this is not done correctly, anchors will not seat properly.

4. Insert anchor with the thread side down into each hole. Make sure that the top of the anchor is flush with the floor.
5. Replace the CB assembly and secure the spring posts to the anchors using the 15/16" bolts and washers provided (as shown in Figure 1). Tighten the anchor bolts to 80 ft-lbs. of torque.

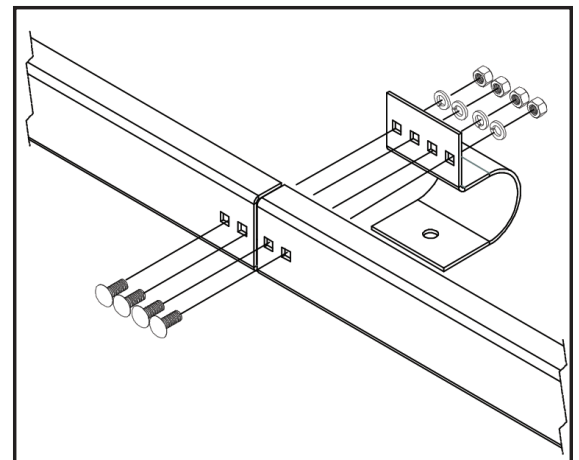
**Figure 1**

Insert bolts through CB rail and spring post. Add end caps as needed. Insert washer and nut. Tighten.

Insert anchor bolt through washer and spring post into anchor in floor. Tighten.

**Figure 2**

The attachment of two (2) CB rails or 135° CB to one (1) Spring post.



Maintenance:

Clean bumpers with the correct type of cleaner for its finish:

- **Bright Chrome:** Use a general all-purpose cleaner with a soft cloth
- **Galvanized Finish:** Using a soft, bristled brush, clean with hot water mixed with a mild detergent, for example, dishwahr soap.

Replace any bent or broken pieces IMMEDIATELY.

Periodically tighten any loose bolts.

Warranty:

Alvarado Manufacturing Company warrants the equipment being sold against defects in material and workmanship, for a period of one (1) year from the date of purchase providing recommended installation and maintenance procedures are followed. This warranty is void if damage was due to improper installation, maintenance or use. The manufacturer is not responsible for any shipping or labor charges incurred in the removal or replacement of defective parts.