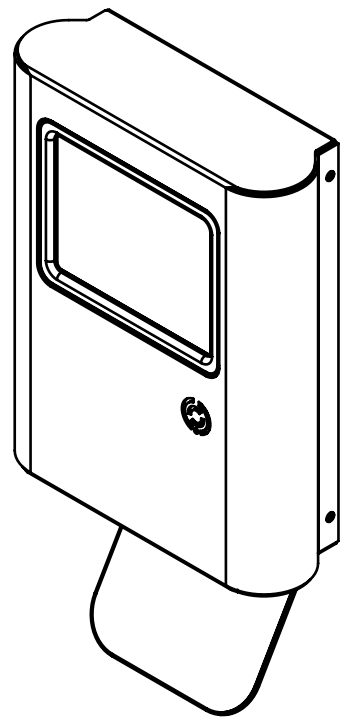
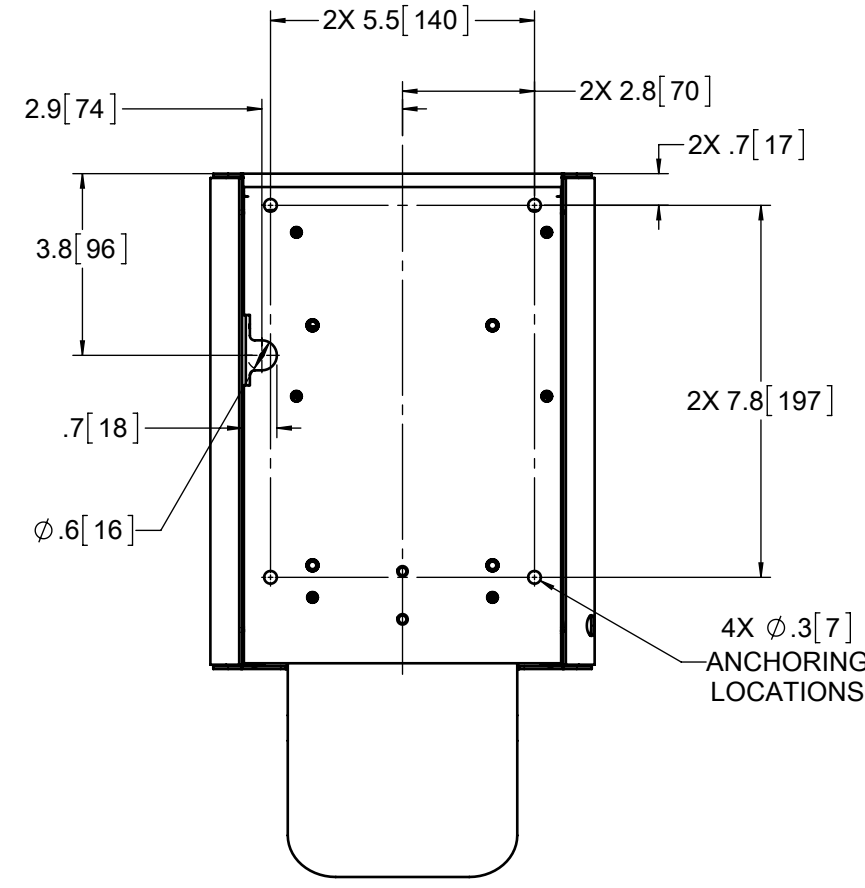
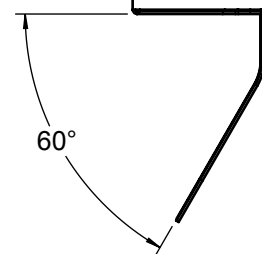
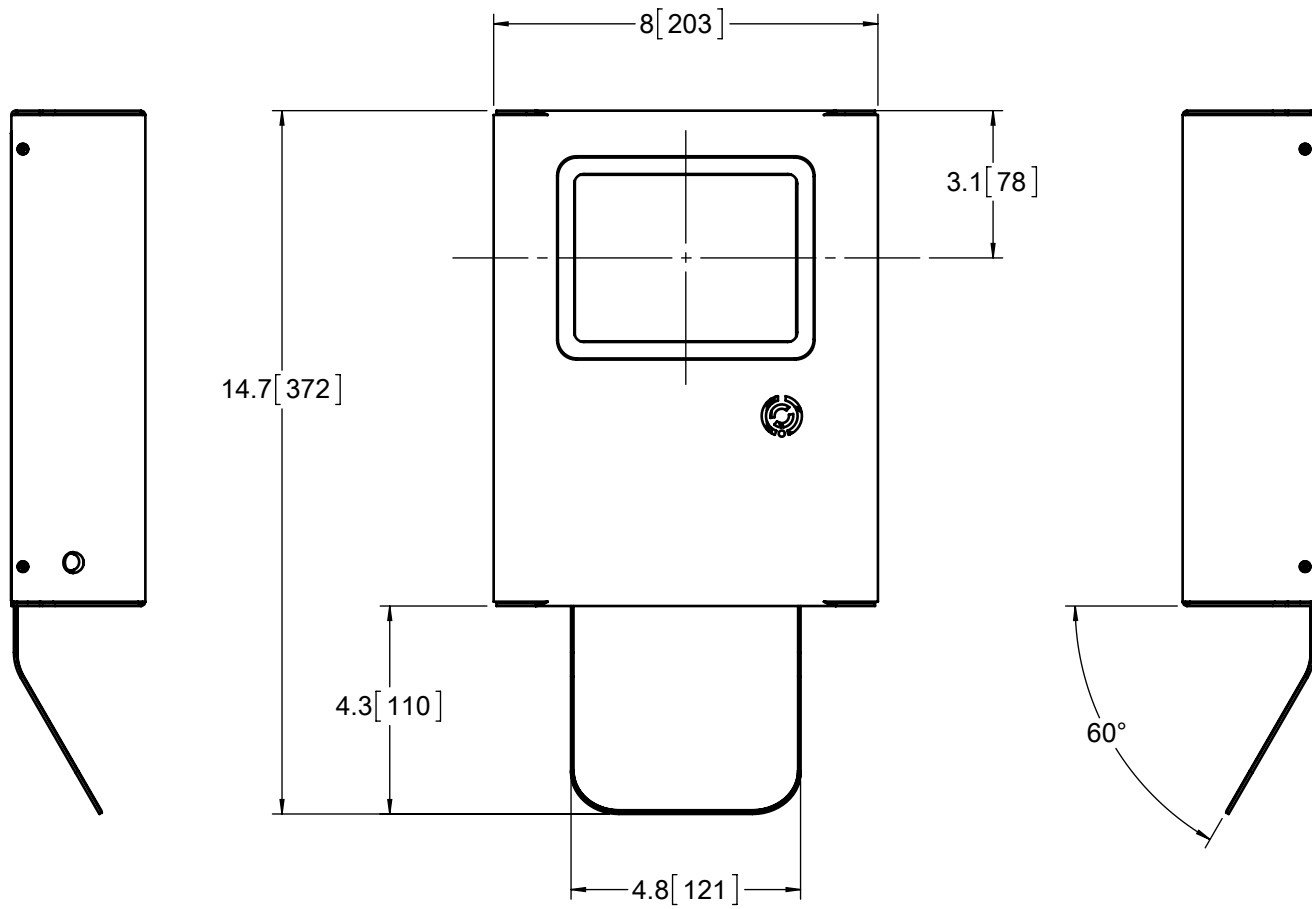


8 7 6 5 4 3 2 1

REVISIONS			
REV.	DESCRIPTION	DATE	BY
1	INITIAL DRAWING RELEASE	5/10/2016	RGM

D
C
B
A

D
C
B
A



NOTES:
1. ALL DIMENSIONS ARE APPROXIMATE AND IN INCHES [mm].

<p>THIRD ANGLE PROJECTION</p>		<p>ALVARADO</p> <p>Alvarado Mfg. Co. Inc. 12660 Colony Street, Chino, CA 91710 909.591.8431 - 909.628.1403 (Fax) www.alvaradomfg.com</p>	
<p>PROPRIETARY AND CONFIDENTIAL</p> <p>THE INFORMATION CONTAINED IN THIS DRAWING IS THE SOLE PROPERTY OF ALVARADO MANUFACTURING INC. ANY REPRODUCTION IN PART OR AS A WHOLE WITHOUT THE WRITTEN PERMISSION OF ALVARADO MANUFACTURING INC. IS PROHIBITED.</p>			
<p>TITLE:</p> <p>INTRAQ SUITE</p>		<p>SIZE</p> <p>B</p>	<p>DWG. NO.</p> <p>PEF-612</p>
<p>DRAWN</p> <p>RGM</p>	<p>DATE</p> <p>5/10/2016</p>	<p>REV</p> <p>1</p>	<p>SCALE: 1:4</p>
<p>CHECKED</p> <p>ENGR</p>	<p>RPL</p> <p>5/10/2016</p>	<p>SHEET 1 OF 1</p>	

8 7 6 5 4 3 2 1