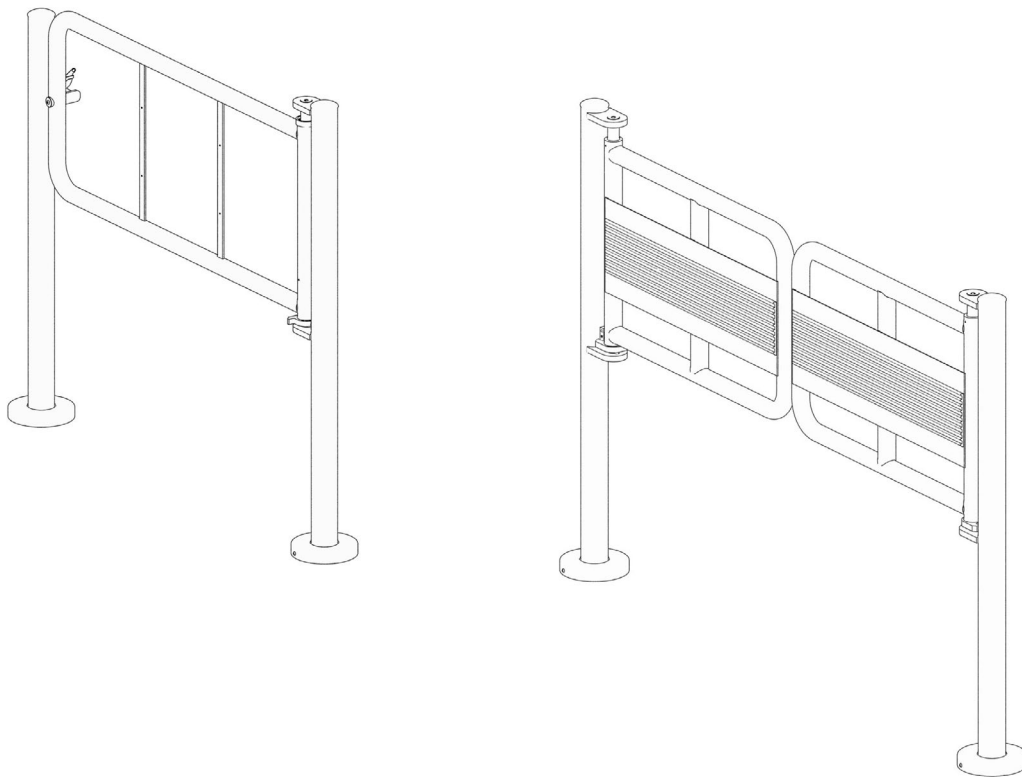


LGB / GDO Installation and Maintenance Guide
PUD3037R3-0, Version 2.0



Instructions and Maintenance Guide

Alvarado Manufacturing Company, Inc.
12660 Colony Street, Chino, CA 91710
Telephone: (909) 591-8431
Fax: (909) 628-1403
support@alvaradomfg.com
www.alvaradomfg.com



Contents

Overview.....	3
Before You Begin.....	3
Notes for Installers and Store Personnel.....	3
Models Supported.....	3
Materials Included and Required.....	4
Support.....	4
Post Installation Instructions.....	5
Tools required.....	5
Procedure.....	5
LG Gate Latch Installation.....	7
Tools required.....	7
Procedure.....	7
Reversing Latch Direction.....	9
SL Gate Installation.....	10
Tools required.....	10
Procedure.....	10
Directional Adapter Bracket Installation.....	11
Tools required.....	11
Procedure.....	11
Maintenance.....	13
Revision History.....	14



Overview

Before You Begin

- Read this installation guide in its entirety before attempting to install any gates.
- Installers and store personnel must provide this document to the manager or person responsible for maintenance of the gate(s).

Notes for Installers and Store Personnel

- These products are designed for indoor use only.
- Use only skilled individuals to install and service Alvarado gates.
- These products are not toys. Do not allow children to play on or near the gate.
- Follow a proper maintenance schedule.
- Do not modify or alter the gate.
- Do not use non-Alvarado parts when maintaining or repairing Alvarado gates.
- Do not operate the gate if it has been damaged in any manner. Have the unit repaired or adjusted by a skilled service technician before resuming use

Models Supported

This document covers installation of the following gate models:

AMC Model Number	Short Product Description	Centerline Distance
GDO48-001	GDO – Twin gates, 48” opening, bright finish, crash plates with protective pads	55.1”
CSG36-001	CSG – 36” opening, bright finish, configurable direction	57”
SSG36-001	SSG – 36” opening, satin finish, configurable direction	57”
CFG36-001	CFG – 36” opening, bright finish, satin crash plates, configurable direction	57”
LGB36-001	LGB – Reversible latch gate with vogue hinge and latch posts, 36” opening, bright finish	40.75”
SL10-36	SL – Sleeved gate arm, bright finish, 36” opening, includes flip-up U-shaped latch, posts not included	38.1”

**Materials Included and Required**

Model	Materials Enclosed	Additional Materials Required (Sold Separately)
GDO	<ul style="list-style-type: none"> • 2x GDO gates and hinge posts • 2x base covers 	<ul style="list-style-type: none"> • SB14 4-way anchor package
CSG/SSG	<ul style="list-style-type: none"> • CSG gate and hinge post • Directional adapter bracket • Base cover 	<ul style="list-style-type: none"> • SB14 4-way anchor package
CFG	<ul style="list-style-type: none"> • CFG gate and hinge post • Directional adapter bracket • 2x protective pads • Base cover 	<ul style="list-style-type: none"> • SB14 4-way anchor package
LGB	<ul style="list-style-type: none"> • LG gate, hinge post, and latch post • 2x base covers • Post cap 	<ul style="list-style-type: none"> • SB14 4-way anchor package
SL	<ul style="list-style-type: none"> • SL gate • 2x set rings • 2x set screws • 2x plastic sleeves • 2x fiber washers 	<ul style="list-style-type: none"> • Hinge post • Latch post

Support

For support, contact Alvarado's Tech Support department M–F, 7:00 AM to 4:00 PM Pacific time.

Email: support@alvaradomfg.com

Phone: 909-591-8431



Post Installation Instructions

Tools required

- Chalk line
- Pencil
- Hammer drill
- 5/8" concrete drill bit
- Shop vac
- Level
- Torque wrench with 3/8" hex socket
- #2 Phillips-head screwdriver (if installing base cover)

Procedure

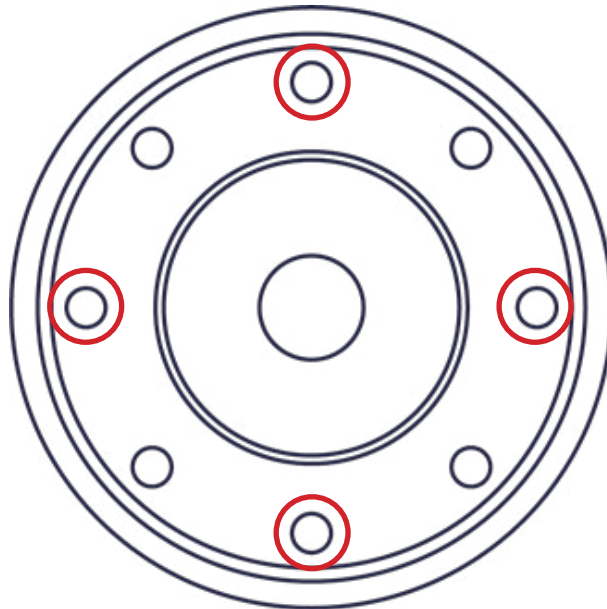
Gates are ready to install onto level concrete assuming no modifications have been made to them.

1. Use the chalk line to mark where posts will be installed.
2. Mark the centerline of the gate posts along the chalk line.

NOTE

Check the **Centerline** column in the *Models Supported* table on page 3 to find the distance between the centerline of the gate post and the centerline of the latch post.

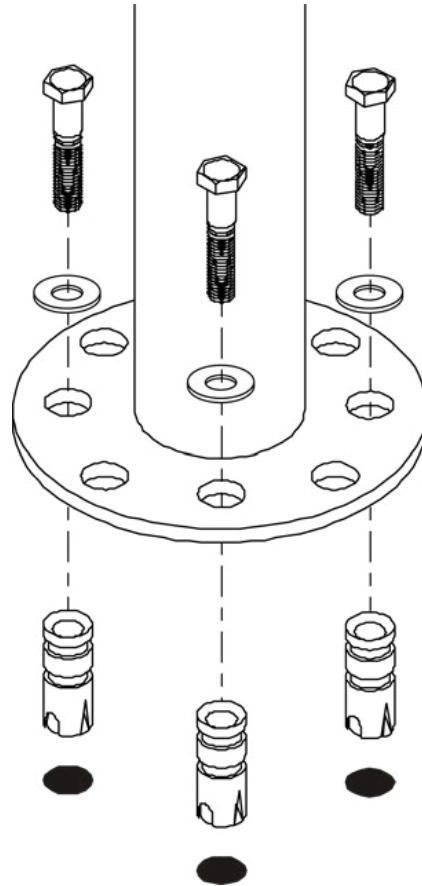
3. Place a gate post on the marked position so that the center of the post aligns with the mark on the chalk line. Verify the positions of the posts, gate arms, and gate swing directions are correct.
4. Use a pencil to mark the positions of four anchor holes. Remove the gate post and put it to the side.



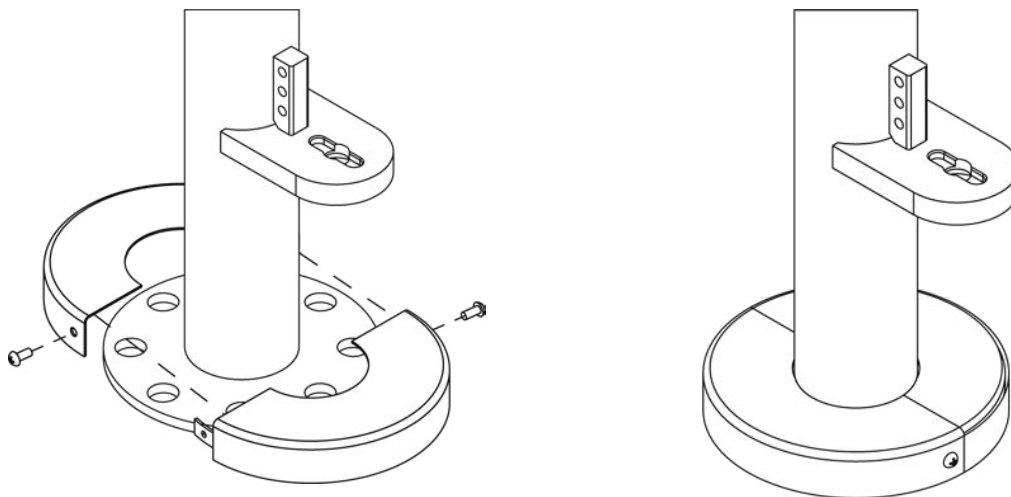
5. Use the hammer drill and the 5/8" concrete drill bit to drill out the four marked anchoring locations. Each hole must be at least 3 inches deep.
6. Use the shop vac to vacuum all dust and debris from each of the anchoring holes.



7. Place an SB anchor thread-side down into each anchoring hole. The top of each anchor must be flush with the floor.
8. Align the holes on the post's flange with the anchors. Verify the post is plumb and level. Insert the washers and bolts from the SB anchoring kit into the anchors.



9. Use the torque wrench to tighten each bolt to 20 ft-lb.
10. Install the base cover (if applicable) by removing the screws on the cover with the #2 Phillips-head screwdriver, sliding the two cover halves into place, and reinserting the screws.





LG Gate Latch Installation

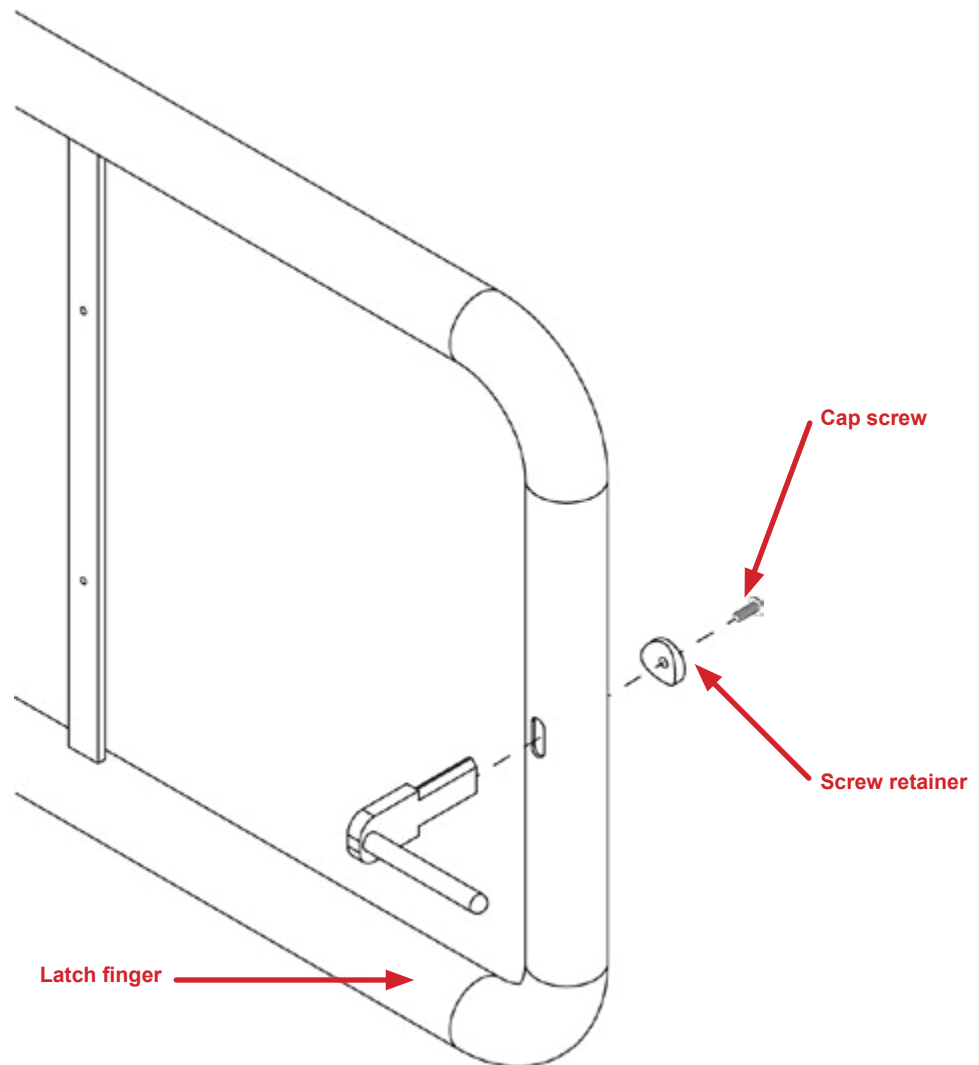
This section assumes the gate post, latch post, and swing gate have already been installed.

Tools required

- Drill
- Size 21 drill bit
- 1/8" hex key
- Marker
- #2 Phillips-head screwdriver
- Rubber mallet

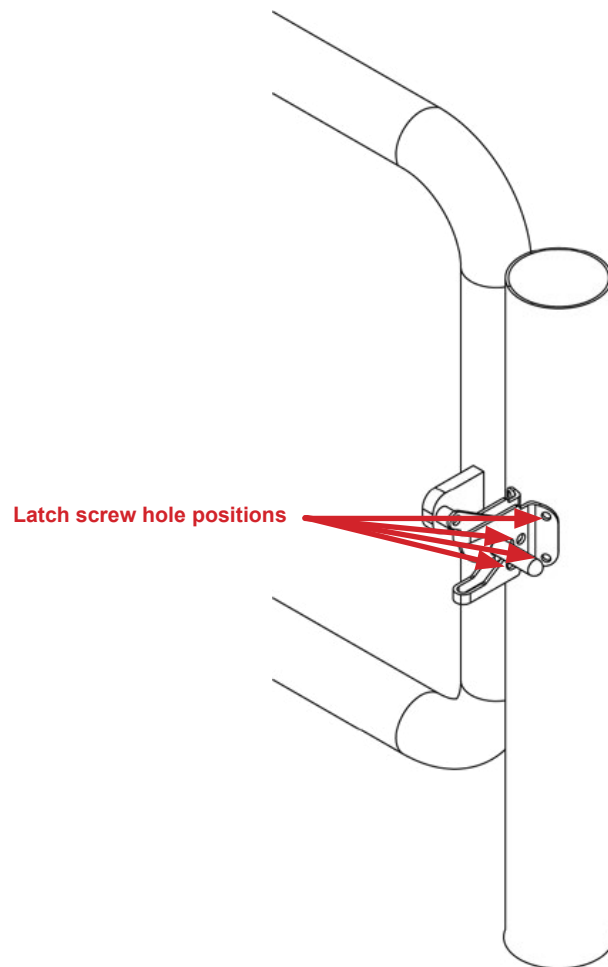
Procedure

1. Slide the latch finger through the hole in the gate. The latching pin must face out the same direction where the latch will be installed.
2. Line the hole in the screw retainer up with the screw hole in the latch finger's retaining rod.
3. Use the 1/8" hex key and the button-head cap screw to secure the latch finger to the gate.





4. Hold the latch against the latch post and close the gate. Line the latch up with the latch finger from the gate.
5. Use the marker to mark the location of the latch's four screw holes on the post.



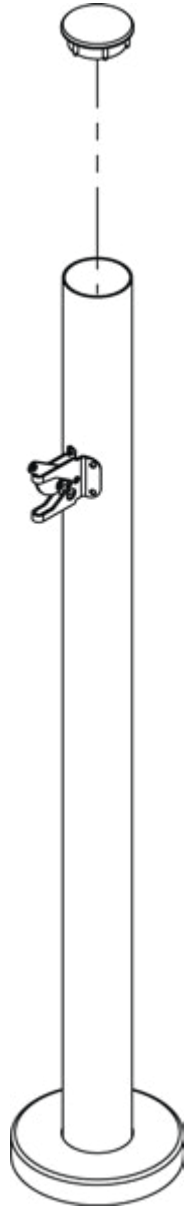
6. Remove the latch and use the size 21 drill bit to drill pilot holes for the latch screws.
7. Use the #2 Phillips-head screwdriver (or the drill with the #2 Phillips-head drill bit) and the included mounting screws to secure the latch to the post.
8. Use the rubber mallet to gently tap the post cap into place.



Reversing Latch Direction

If the latch post does not have post-and-rail connection channels, reverse the latch direction by unbolting the post from the floor and rotating it 180°.

If the latch post does have post-and-rail connection channels, remove the latch and follow the steps in the section above to mount it to the other side of the post.





SL Gate Installation

SL gates fit over existing post-and-rail installations.

Tools required

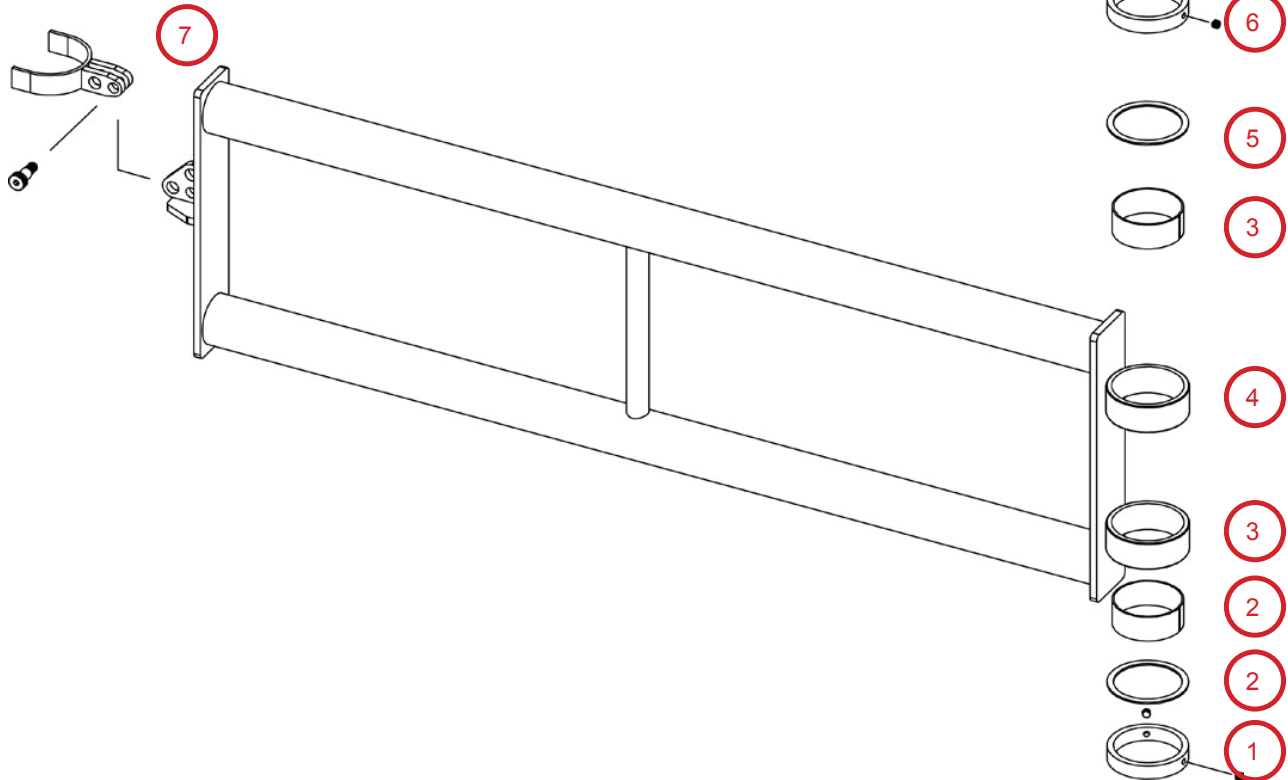
- 1/8" hex key
- 5/32" hex key

Procedure

NOTE

Before you begin:

- Remove all parts from packaging.
- Remove any outlets from the hinge post, if applicable.



1. Slide one of the metal set rings into position. Use a 1/8" hex key to tighten the two set screws.
2. Slide one of the fiber sleeve washers on top of the set ring.
3. Insert the two plastic bearings into the gate's hinge rings.
4. Slide the gate's hinge rings over the hinge post and lower until it rests on the set ring.
5. Slide the second fiber sleeve washer so it rests on the top of the gate's upper hinge ring.
6. Slide the second metal set ring until it rests against the gate's upper hinge ring. Use the 1/8" hex key to tighten the two set screws.
7. Install the gate latch.
 - a. Use the 5/32 hex key to remove the bolt, flat washer, and nut from the latch.
 - b. Place the latch over the mounting position and put the bolt through the holes in both the mounting position and the latch.
 - c. Slide the flat washer onto the bolt and tighten the nut to secure the latch to the gate.



Directional Adapter Bracket Installation

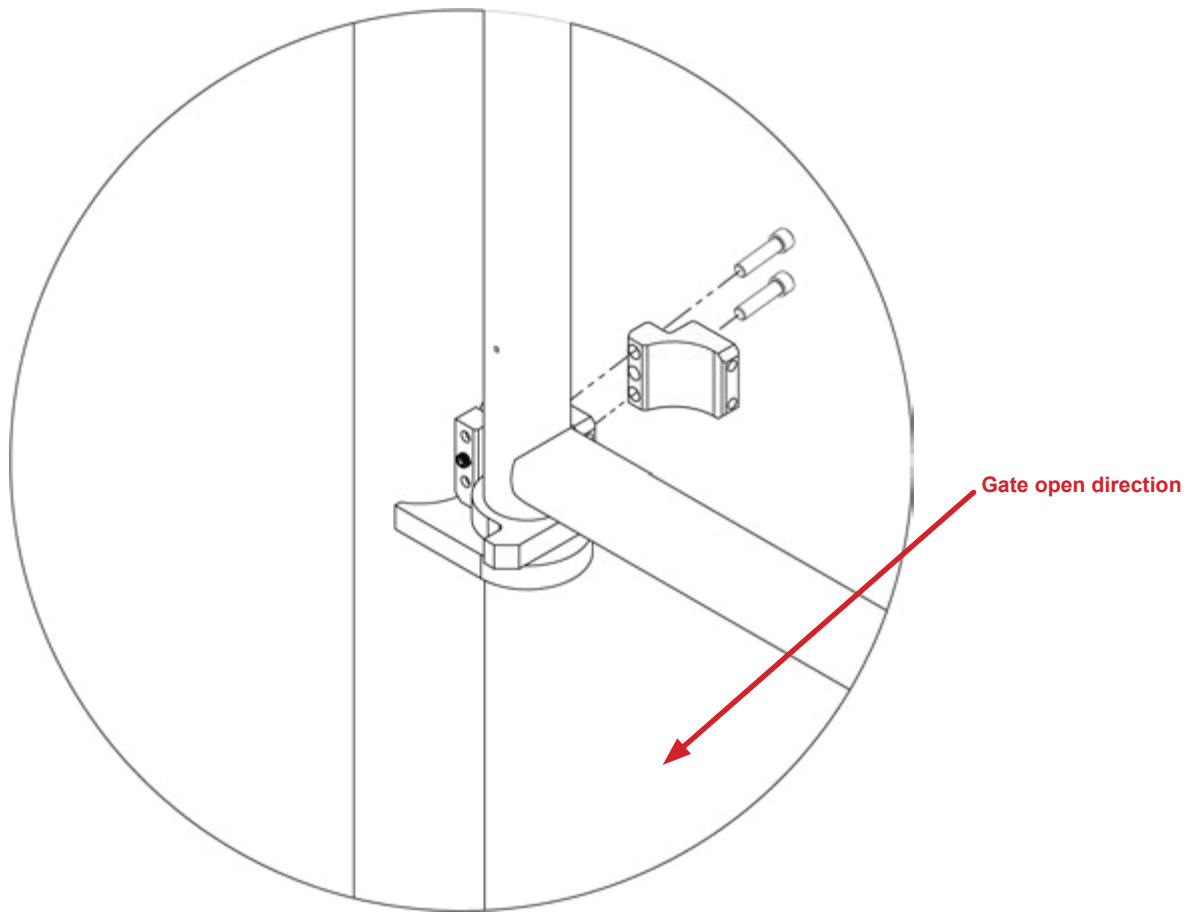
This section only applies to CFG, CSG, and SSG models. These models are bi-directional gates by default. Install the directional adapter bracket to convert these models to a single-direction configuration.

Tools required

- 3mm hex key
- 3/16" hex key

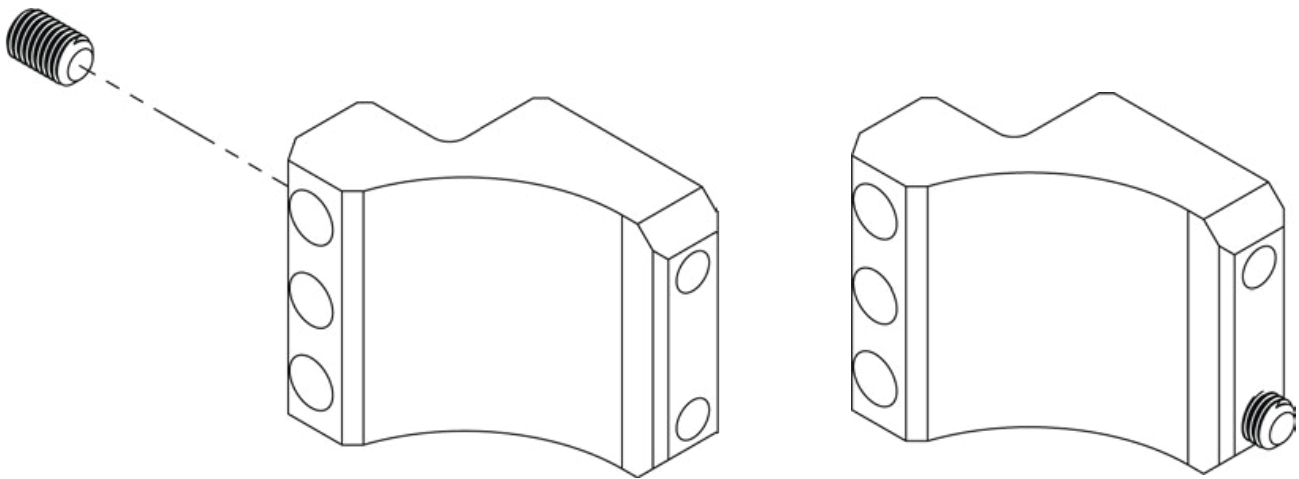
Procedure

1. Open the gate in the new permanent open direction.
2. Use the 3/16" hex key and the cap screws (two per bracket) to secure the adapter bracket to the post's lower hinge. The bracket will block the gate from closing, so place it on the side of the gate that will no longer open.

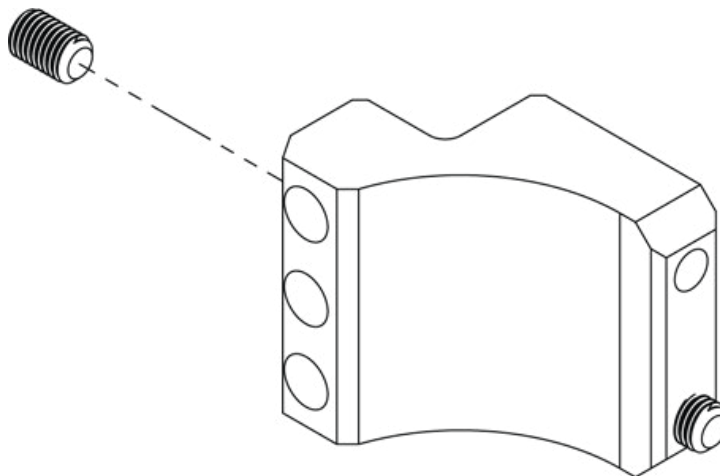




3. Use the 3mm hex key to screw one of the flat-point set screws into the bracket as shown below. Stop when the tip of the screw protrudes from the bracket.



4. Close the gate and adjust the positioning of the screw as required to find the desired 'closed' position.
5. Screw the second flat-point set screw behind the first. Tighten until it is snug against the back of the first screw.





Maintenance

- Replace any sharp, bent, or broken components immediately.
- Tighten any loose anchors.
- Clean the gate(s) on a regular basis. Use the appropriate cleaning method for the gate's finish.
 - Chrome: Use a general all-purpose cleaner with a soft cloth.
 - Stainless Steel: Use a stainless-steel cleaner or polish. For heavy scratches or marks, use a metal blend or finish pad.
 - Powder Coat: Use a soft, damp cloth. Touch up any scratches or chips to prevent rust. Rust, when left untreated, can spread under the surface of the powder coat.

**Revision History**

Revision	Creation Date	Author	Revision History/Description
1.0	12/1/2007	Mark Lau	Original Document
1.1	4/12/2013		Added CFG gate.
1.2			
1.3			Updated P/N and available references.
1.4			Added LGB gate.
2.0	5/1/2017	D Bohannon	Updated to current format. Added section on reversing gate latch direction.



Alvarado Manufacturing Company, Inc.
12660 Colony Street, Chino, CA 91710
Telephone: (909) 591-8431
Fax: (909) 628-1403
support@alvaradomfg.com
www.alvaradomfg.com