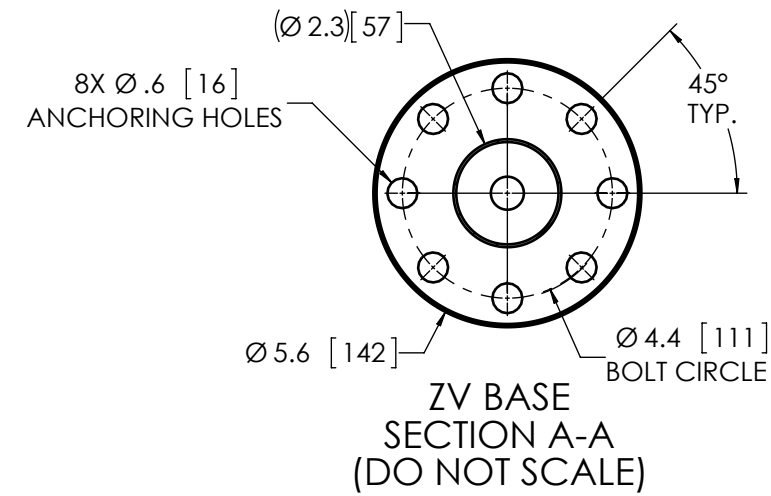
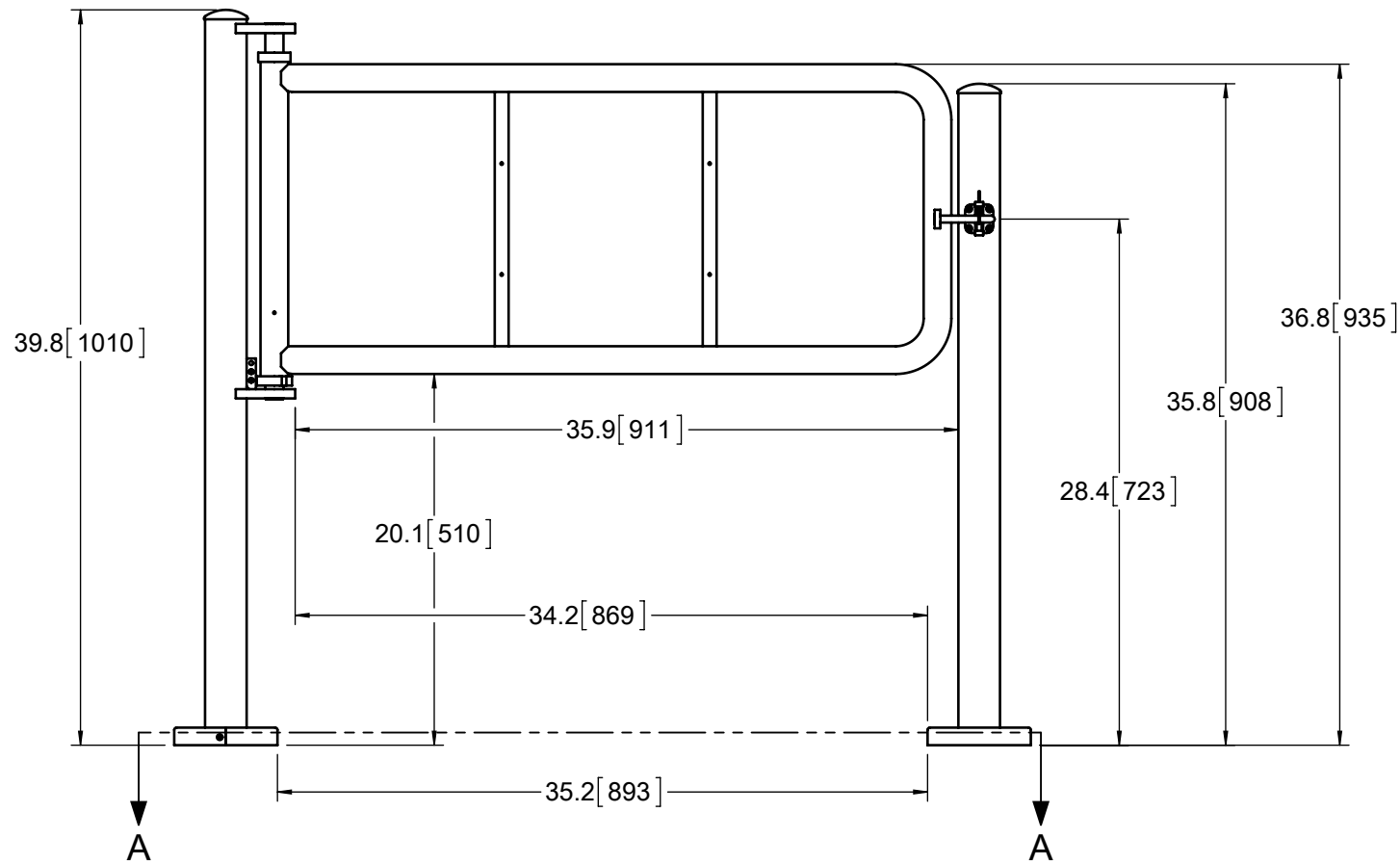
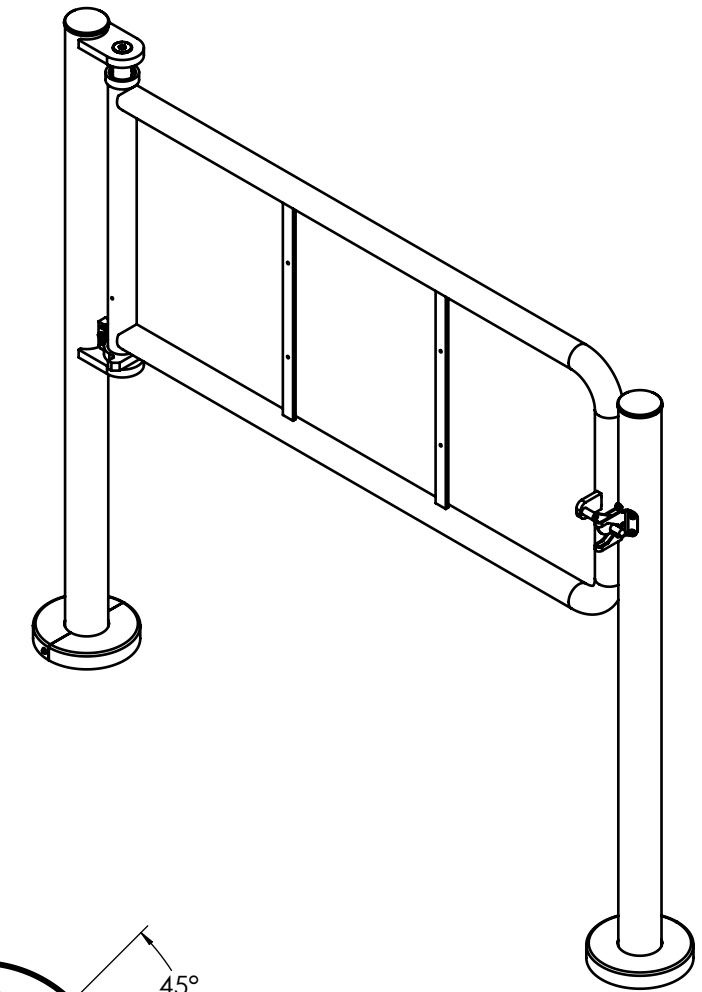
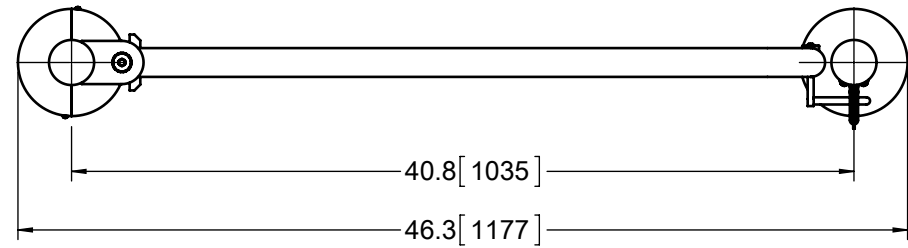


8 7 6 5 4 3 2 1

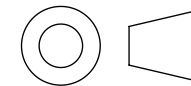
D  
C  
B  
A



NOTES:

1. ALL DIMENSIONS ARE APPROXIMATE AND IN INCHES [mm].
2. RIGHT HAND CONFIGURATION SHOWN. FOR LEFT HAND CONFIGURATION REFER TO PID3037 FOR ASSEMBLY INSTRUCTIONS.

THIRD ANGLE PROJECTION



PROPRIETARY AND CONFIDENTIAL

THE INFORMATION CONTAINED IN THIS DRAWING IS THE SOLE PROPERTY OF ALVARADO MANUFACTURING INC. ANY REPRODUCTION IN PART OR AS A WHOLE WITHOUT THE WRITTEN PERMISSION OF ALVARADO MANUFACTURING INC. IS PROHIBITED.

DO NOT SCALE DRAWING



Alvarado Mfg. Co. Inc.  
12660 Colony Street, Chino, CA 91710  
909.591.8431 - 909.628.1403 (Fax)  
www.alvaradomfg.com

TITLE:

LGB

	NAME	DATE	SIZE	DWG. NO.	REV
DRAWN	RGM	12/15/2016	B	PEF-671	A
CHECKED					
ENGR	RPL	12/15/2016	SCALE: 1:10		SHEET 1 OF 1

8 7 6 5 4 3 2 1