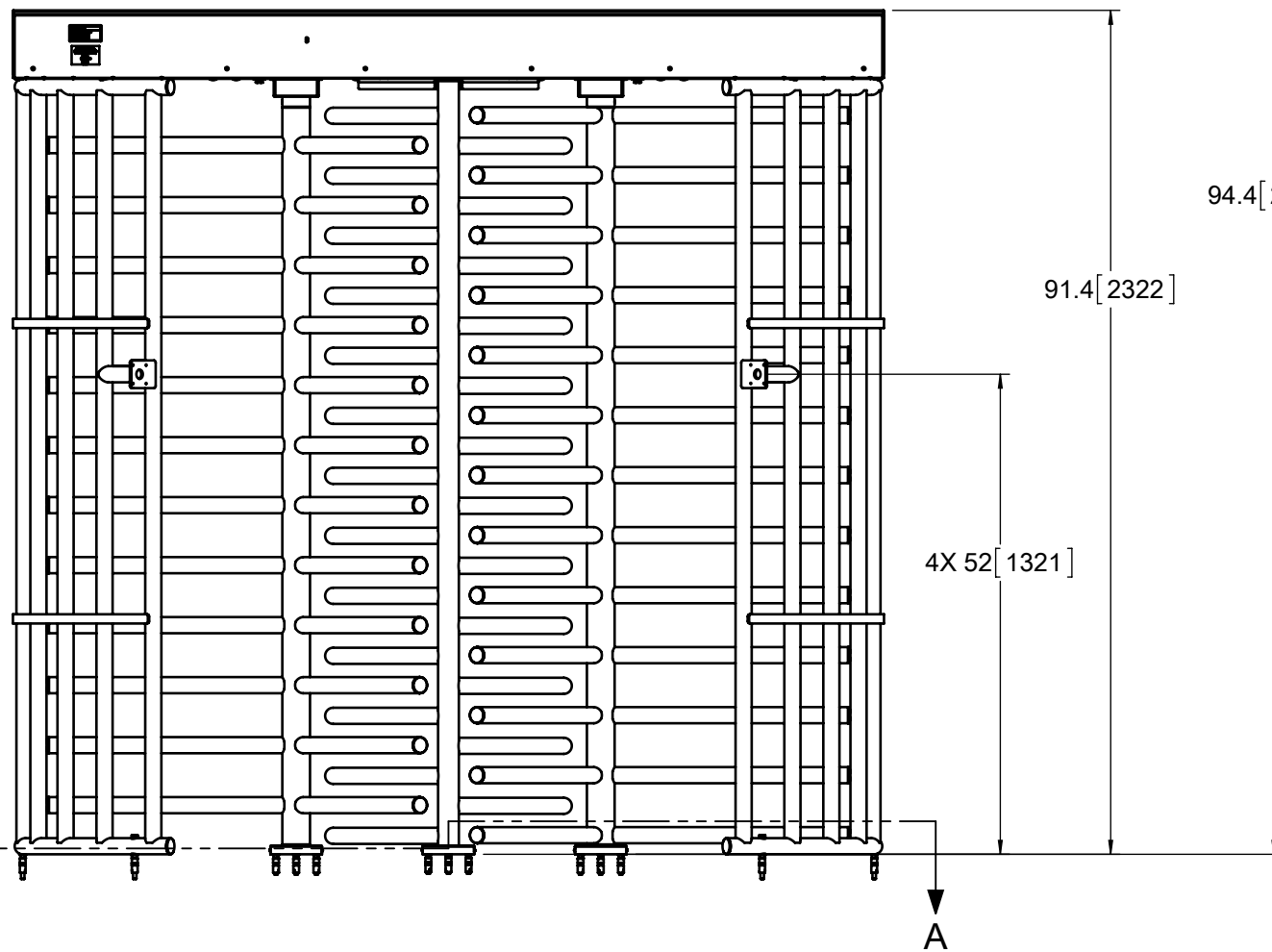
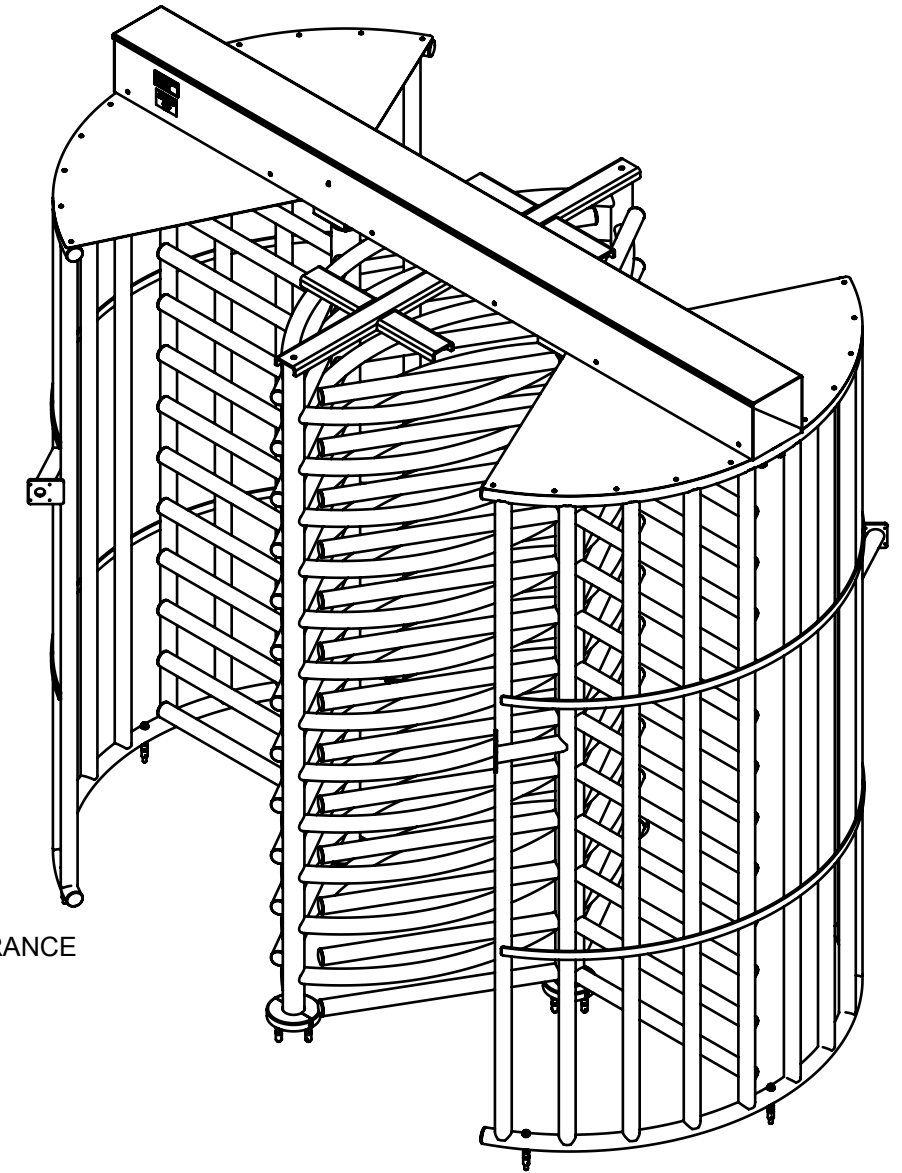
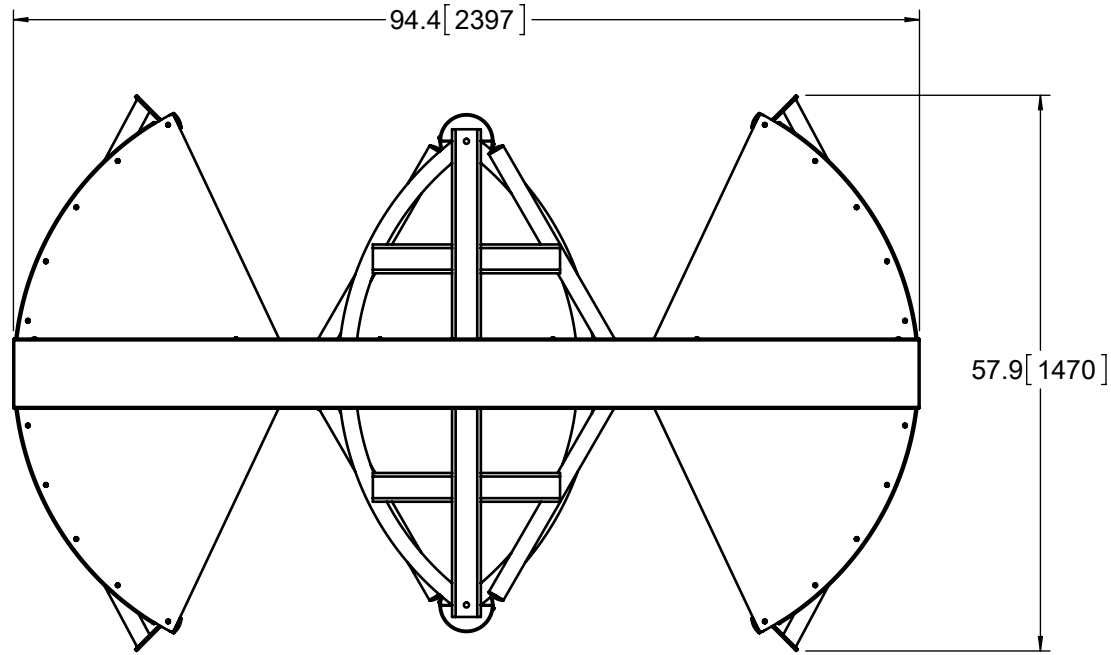


8 7 6 5 4 3 2 1



NOTES:

1. ALL DIMENSIONS ARE APPROXIMATE AND IN INCHES [mm].
2. ALLOW A MINIMUM OF 3" CLEARANCE BETWEEN THE TOP CHANNEL AND ANY OVERHEAD STRUCTURE FOR INSTALLATION AND MAINTENANCE.

THIRD ANGLE PROJECTION



PROPRIETARY AND CONFIDENTIAL

THE INFORMATION CONTAINED IN THIS DRAWING IS THE SOLE PROPERTY OF ALVARADO MANUFACTURING INC. ANY REPRODUCTION IN PART OR AS A WHOLE WITHOUT THE WRITTEN PERMISSION OF ALVARADO MANUFACTURING INC. IS PROHIBITED.

DO NOT SCALE DRAWING



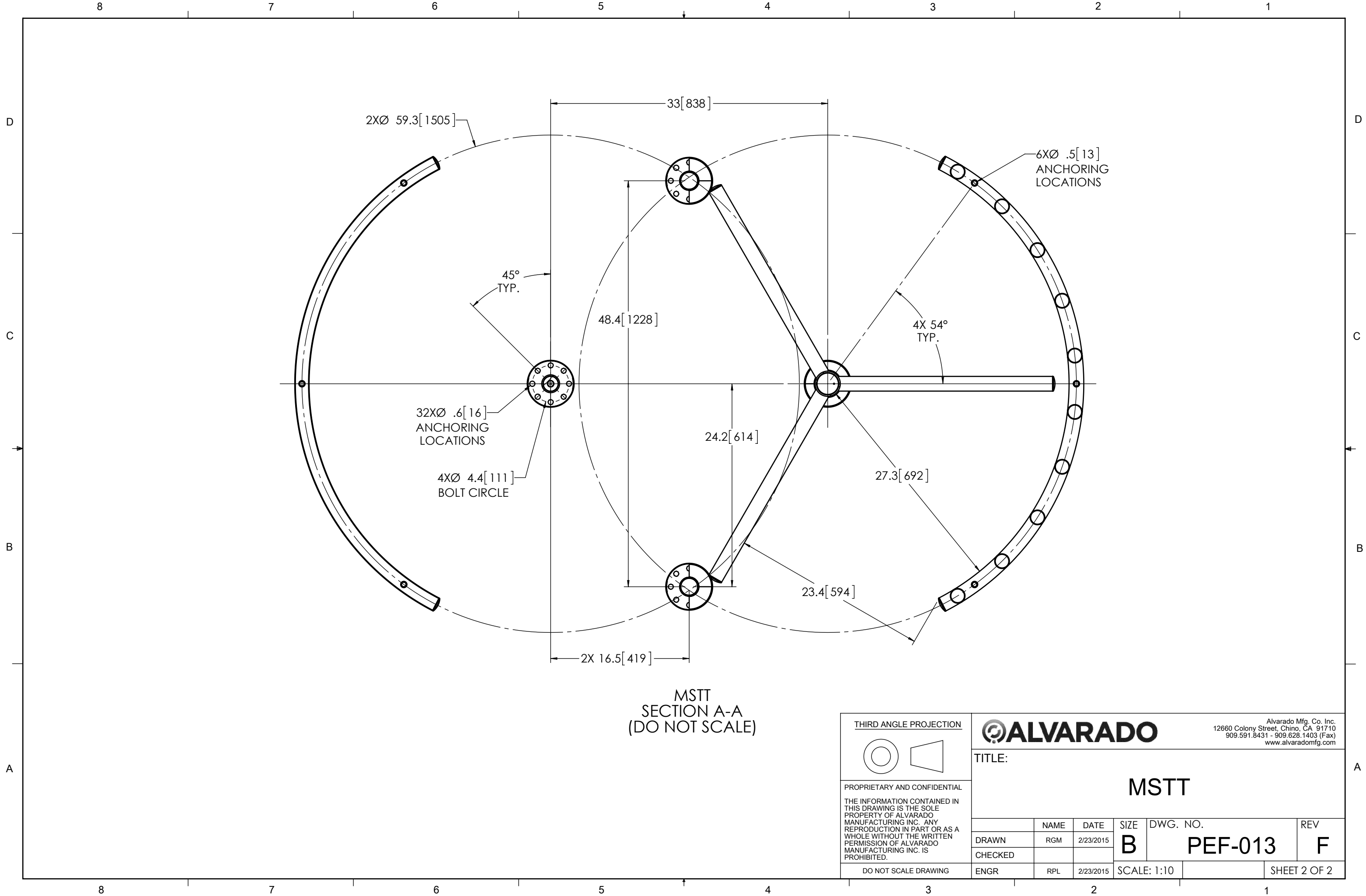
Alvarado Mfg. Co. Inc.  
12660 Colony Street, Chino, CA 91710  
909.591.8431 - 909.628.1403 (Fax)  
www.alvaradomfg.com

TITLE:

MSTT

	NAME	DATE	SIZE	DWG. NO.	REV
DRAWN	RGM	2/23/2015	B	PEF-013	F
CHECKED					
ENGR	RPL	2/23/2015	SCALE: 1:20	SHEET 1 OF 2	

8 7 6 5 4 3 2 1



MSTT  
SECTION A-A  
(DO NOT SCALE)

THIRD ANGLE PROJECTION



PROPRIETARY AND CONFIDENTIAL

THE INFORMATION CONTAINED IN THIS DRAWING IS THE SOLE PROPERTY OF ALVARADO MANUFACTURING INC. ANY REPRODUCTION IN PART OR AS A WHOLE WITHOUT THE WRITTEN PERMISSION OF ALVARADO MANUFACTURING INC. IS PROHIBITED.

DO NOT SCALE DRAWING



Alvarado Mfg. Co. Inc.  
12660 Colony Street, Chino, CA 91710  
909.591.8431 - 909.628.1403 (Fax)  
www.alvaradomfg.com

TITLE:

MSTT

	NAME	DATE	SIZE	DWG. NO.	REV
DRAWN	RGM	2/23/2015	B	PEF-013	F
CHECKED					
ENGR	RPL	2/23/2015	SCALE: 1:10	SHEET 2 OF 2	