

OPTIONS FOR DISPLAYING COUNTS

In addition to GateWatch10, real-time patron counts can be displayed using the following methods:



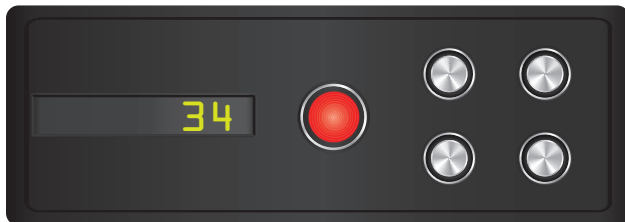
LED WALL DISPLAY:

Entry, in-venue or in-area counts can be displayed on a four-digit digital count display.



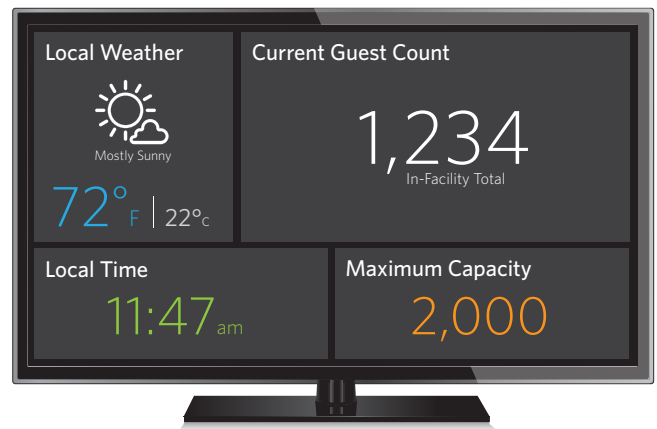
LOCALLY INSTALLED COUNTER:

Each passage or arm rotation increments a digital counter installed in the turnstile cabinet. A key allows attendants to reset the counters to "0".



RIDE LOADING PANEL:

Counts can be output to an attendant-facing panel. When the number of patrons approaches maximum capacity the panel alerts the attendant. Panel buttons are used to provide custom functionality.



TV MONITOR:

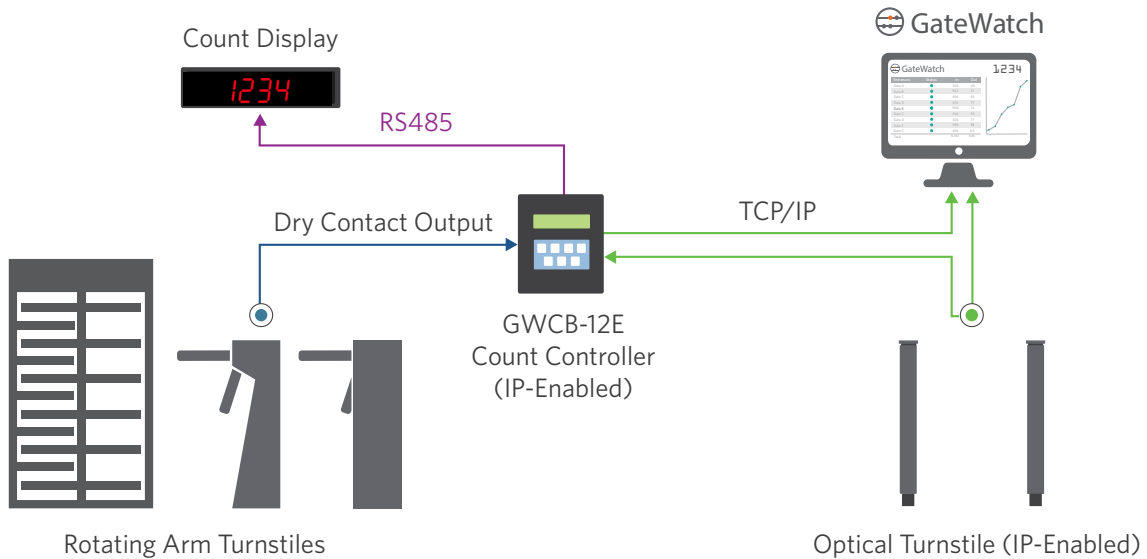
Counts can also be output to a television monitor. In conjunction with GateWatch10, Alvarado provides a web service that retrieves count data from the GateWatch10 database to display using a smart TV's web browser. As part of the web service, items like current local weather reports, current time and/or other information can also be displayed alongside patron totals.

COMMON APPLICATIONS

Alvarado counting devices can be used for a variety of applications including the following:

CAPACITY COUNTING:

If both entering and exiting patrons are counted, Alvarado's counting devices can provide current in-venue or in-area totals. If desired, when defined capacities are reached, Alvarado can provide a relay output to signal external devices once a defined capacity is reached. For example, the output can turn on a "full" sign until the capacity count goes below the defined threshold.



RIDE LOADING:

Alvarado can also provide other innovative solutions such as a control panel for ride loading at amusement parks. As patrons pass through the turnstile(s), the system counts down (or up) from a defined capacity. When the number of patrons approaches maximum capacity the panel alerts the attendant through a light and/or sound notification.

