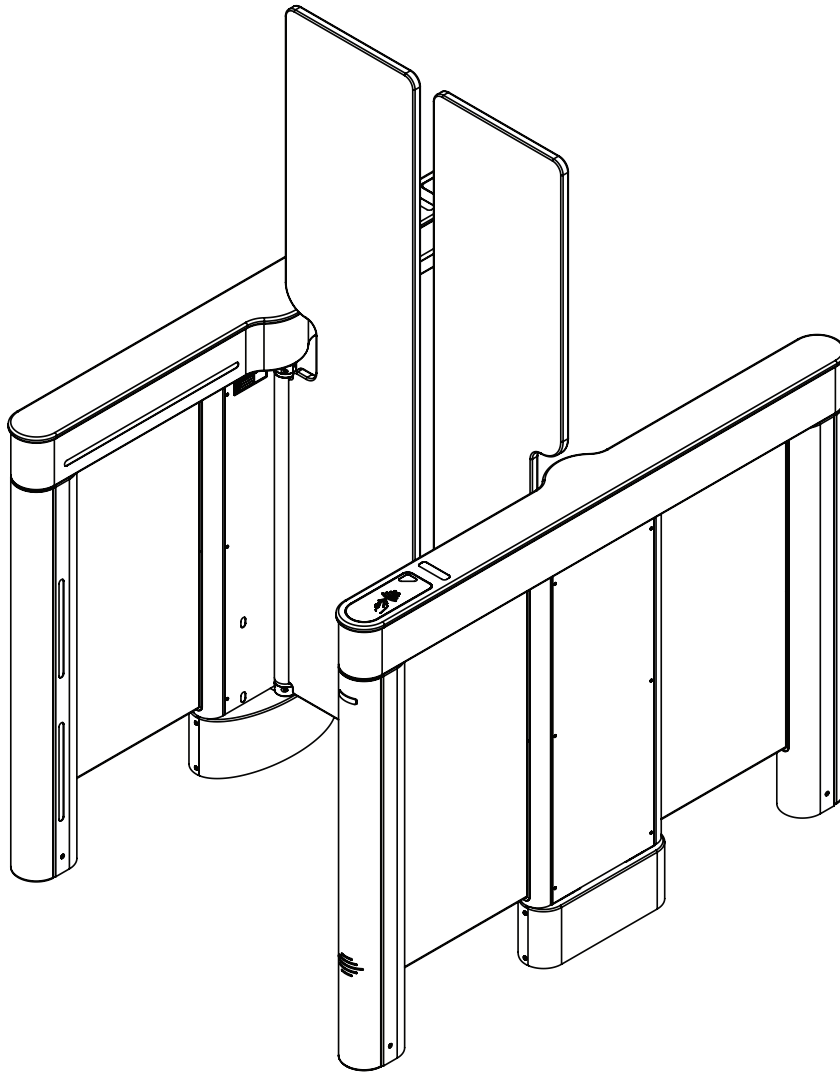


**SUPERVISOR 5000  
(SU5000)**

**Optical Turnstile with Bi-directional Motorized Barriers**



**Installation Instructions**

---

**Alvarado Manufacturing Company, Inc.**

12660 Colony Street, Chino, CA 91710

Phone: +1 (909) 591-8431

Fax: +1 (909) 628-1403

support@alvaradomfg.com

www.alvaradomfg.com



## Contents

Contents .....	2
ETL Certification .....	2
Safety Precautions .....	3
Safety Icons .....	3
Installation Tools .....	4
Uncrating .....	4
Parts List .....	4
Introduction .....	6
Before You Begin .....	8
Slab Requirements .....	8
Space Requirements .....	8
Conduit Requirements .....	9
Electrical Requirements .....	9
Environmental Requirements .....	9
Communication Requirements .....	10
Internal Card Reader Installation Requirements (Optional) .....	10
Barcode Reader Requirements (Optional) .....	10
User Training .....	10
Pre-Installation Checklist .....	10
Pre-Installation Instructions .....	11
Cabinet Panel Removal .....	11
Baseplate Installation (Optional) .....	12
Installation Instructions .....	13
Anchoring the Turnstile .....	13
Internal Card Reader Installation .....	15
Wiring Instructions .....	16
Primary Power .....	16
Crossover Cable Connection .....	16
I/O Control Board .....	17
Configuring Passage Modes .....	19
Ethernet Communication (Optional) .....	21
Barrier Installation .....	21
Post-Installation Functions Check .....	23
Finish the Installation .....	28
Cabinet Lid Installation .....	28
Cabinet Panel Installation .....	29
Base Cover Installation .....	29
Post-Installation Checklist .....	30
Troubleshooting .....	31
Appendix A - Setting the Home Position .....	32
Appendix B - 36" Single Lane - Plan, Elevation & Footprint Drawing .....	33
Appendix C - 28" & 36" Baseplate Dimensions .....	34
Appendix D - External DC Power Supply Installation (Optional) .....	35
Appendix E - Multi-Lane Conduit Requirements .....	41
Appendix F - Crossover Cable Connection Diagrams .....	42
Revision History .....	43

## ETL Certification



This product is fully certified by a nationally recognized testing laboratory to UL 2593 and CSA C22.2 #247. Unauthorized modification to this product in any way is prohibited.



## Safety Precautions



### WARNING

The Supervisor 5000 may present a risk to persons and property if it is not installed and/or operated correctly. This manual must be read in its entirety and all safety and operations information must be followed. Note the following precautions:

- For indoor use only.
  - Use only skilled individuals to install and service the turnstile.
  - DO NOT operate the turnstile if it has been damaged in any manner. If damaged, have the unit repaired or adjusted by a skilled service person before use.
  - DO NOT modify or alter the turnstile.
  - Have skilled individuals maintain the turnstile according to a proper maintenance schedule.
  - In access control applications, train all personnel that will be using the turnstile in the proper method of operation. In addition, properly train new users as they are added to the system.
  - DO NOT use non-Alvarado parts to repair a damaged turnstile.
  - Closely follow the handling instructions for moving or lifting the turnstile during installation.
  - Power off the turnstile before connecting or disconnecting any communication or power wiring to the turnstile.
- 
- Pour utilisation à l'intérieur seulement.
  - Utilisez uniquement des personnes qualifiées pour installer et entretenir le tourniquet.
  - NE PAS faire fonctionner le tourniquet s'il a été endommagé de quelque façon. S'il est endommagé, faire réparer ou ajuster l'unité avant l'utilisation par un(e) préposé(e) à l'entretien qualifié(e).
  - NE PAS modifier ou altérer le tourniquet.
  - Le tourniquet doit être maintenu selon un calendrier d'entretien adéquat par des personnes qualifiées.
  - Dans les applications de contrôle d'accès, former tout le personnel qui utilisera le tourniquet selon la bonne méthode de fonctionnement. De plus, bien former les nouveaux utilisateurs à leur intégration au système.
  - NE PAS utiliser des pièces ne provenant pas du Alvarado pour réparer un tourniquet endommagé.
  - Suivez strictement les instructions de manutention pour déplacer ou soulever le tourniquet lors de l'installation
  - Éteignez le tourniquet avant de brancher ou de débrancher le câblage de communication ou le câblage d'électricité.
- 
- This turnstile can be used by children aged **12** years and above, and persons with reduced physical, sensory or mental capabilities or lack of experience and knowledge, if they have been given supervision or instruction concerning use of the turnstile in a safe way and understand the hazards involved. Children shall not play with or around the turnstile.
  - The turnstile shall be disconnected from its power source during service and when replacing parts. The turnstile shall be disconnected from its power source before connecting or disconnecting any communication or other activation/feedback control wires. If it is not possible that the technician can check from any point to which he has access that the main power is removed, a disconnection with a locking system in the isolated position shall be provided.

## Safety Icons

The following symbols are used throughout the manual to highlight important information and potential risks when installing, servicing or using the turnstiles covered in this manual.



### WARNING

This symbol is used in this manual to warn installers and operators of potential harm. Please read these instructions very carefully.



### CAUTION

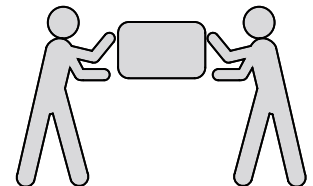
This symbol is used in this manual to designate potential conditions that may pose a risk to pedestrians, personnel, property and equipment. Please read these instructions very carefully.

### NOTE

This symbol is used in this manual to designate useful information for the installer and operator. Please read these instructions.



For questions, please contact Alvarado at (909) 591-8431, Monday – Friday 7:00am to 4:00pm PST. Please read this manual completely before installing or operating the purchased product.



A minimum of two people is required to complete the installation of this product.



### Installation Tools

- Tape Measure
- Chalk Line
- Pencil
- Hammer Drill
- 5/8" Concrete Drill Bit
- Shop Vac
- Hammer
- 3/32" Allen Wrench
- 9/16" Wrench
- Torque Wrench (ft-lbs.)
- Torque Wrench (in-lbs)
- 9/16" Socket
- Level
- 5/32" Allen Wrench
- #2 Phillips Head Screwdriver
- Precision Flat Head Screwdriver
- 4mm 'Stubby' Allen Wrench (Supplied)
- Clear RTV Silicone

### Uncrating

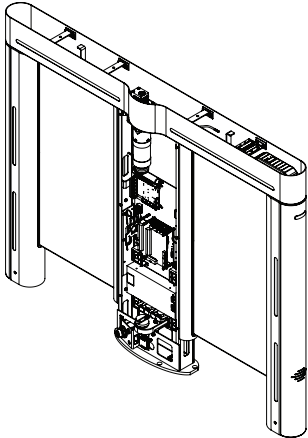
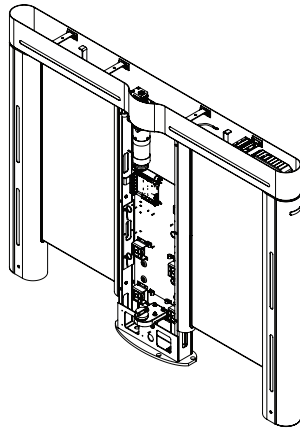
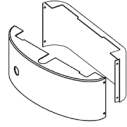
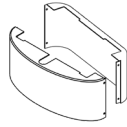

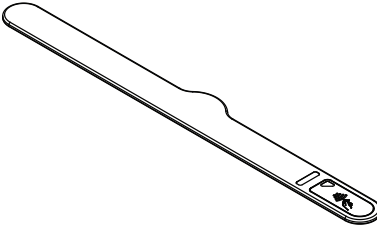


The SU5000 has been packed for shipping to prevent damage to the unit. Two or more installers are required to unload the SU5000 at the installation site. Once the turnstile cabinets have been placed in the installation location, carefully remove the protective packing material from the sides of the cabinets.

### Parts List

This product is shipped with all installation hardware and components. If installing a single lane, refer to the Single Lane Parts List below. For additional lanes, refer to the Center Cabinet Parts List. Make sure that none of these parts are missing and/or damaged before beginning installation. If parts are missing and/or damaged, please contact Alvarado.

#### Single Lane Parts List

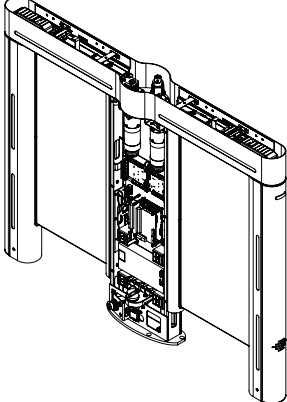
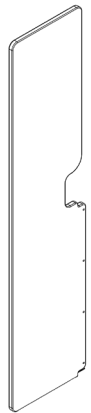
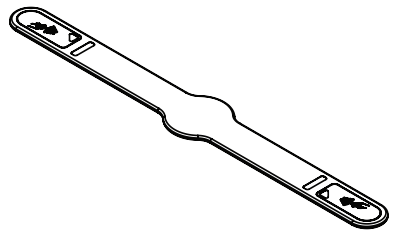
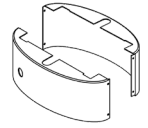
 <p>Main Cabinet (Qty 1)</p>	 <p>Secondary Cabinet (Qty 1)</p>	 <p>Main Cabinet Base Cover (Qty 1)</p>	 <p>Secondary Cabinet Base Cover (Qty 1)</p>
<b>Hardware:</b>			
<ul style="list-style-type: none"> <li>• Barrier Clamp Bars (Qty 2)</li> <li>• Barrier Clamp Bar Screws (Qty 8)</li> </ul>			
<b>Concrete Anchor Package:</b>			
<ul style="list-style-type: none"> <li>• 3/8" x 2" Concrete Anchors (Qty 14)</li> <li>• 3/8" x 2 1/2" Hex Head Cap Screws (Qty 14)</li> <li>• 3/8" Flat Washers (Qty 14)</li> </ul>			
<b>Cabling:</b>			
<ul style="list-style-type: none"> <li>• 8' Crossover Cable (Qty 1)</li> </ul>			
<b>Software:</b>			
<ul style="list-style-type: none"> <li>• File Management USB (Qty 1)</li> </ul>			
 <p>Barriers (Qty 2)</p> <p>(Barrier height and width may vary.)</p>	 <p>Cabinet Lids (Qty 2)</p>		



**Parts List (cont.)**

Center Cabinets are used to create additional lanes for multi-lane configurations. Each additional lane includes the parts below.

**Center Cabinet Parts List (Per Center Cabinet)**

 <p>Center Cabinet (Qty 1)</p>	 <p>Barriers (Qty 2)</p> <p>(Barrier height and width may vary.)</p>	 <p>Center Cabinet Lid (Qty 1)</p>
<p><b>Cabling:</b></p> <ul style="list-style-type: none"> <li>8' Crossover Cable (Qty 1)</li> </ul>	<p><b>Concrete Anchor Package:</b></p> <ul style="list-style-type: none"> <li>3/8" x 2" Concrete Anchors (Qty 7)</li> <li>3/8" x 2 1/2" Hex Head Cap Screw (Qty 7)</li> <li>3/8" Flat Washers (Qty 7)</li> </ul>	 <p>Center Cabinet Base Cover (Qty 1)</p> <p><b>Hardware:</b></p> <ul style="list-style-type: none"> <li>Removable Barrier Clamps (Qty 2)</li> <li>Barrier Clamp Mounting Screws (Qty 8)</li> </ul>



## Introduction

This manual covers the physical installation process for SU5000 Optical Turnstiles. A separate *SU5000 User Guide (PUD3668)* provides operating instructions and additional information such as configuring turnstiles for bi-directional passage applications and monitoring outputs. It is highly recommended that both this manual and the *SU5000 User Guide (PUD3668)* be read in their entirety prior to beginning installation.

## SU5000 Cabinets

There are three types of SU5000 cabinets used to create passage lanes: a Main cabinet, a Secondary cabinet, and a Center (expansion) cabinet. A single passage lane consists of a Main cabinet and a Secondary cabinet [Figure 1A]. The center cabinet is used to create additional passage lanes with the addition of a single cabinet [Figure 1B].

Each cabinet has an unsecured and secured side. Alvarado follows what we call the "right-hand rule." User status displays and card readers are always installed on the right-hand side as you enter the turnstile.

### Main Cabinet

The center portion of the Main cabinet contains the turnstile CPU, I/O control board, motor and motor control board, power supply, safety sensor receivers, one moving barrier, and a power switch located at the base on the secured side.

The top channel of the Main cabinet contains the operational sensor receivers, a drive system, and a user status display that communicates lane status to the user. A card reader is normally installed during installation underneath the lid below the user status display.

### Secondary Cabinet

The center portion of the Secondary cabinet contains a motor and motor control board, safety sensor transmitters, and one moving barrier.

The top channel of the Secondary cabinet contains the operational sensor transmitters, a drive system, and a user status display that communicates lane status to the user. A card reader is normally installed during installation underneath the lid below the user status display.

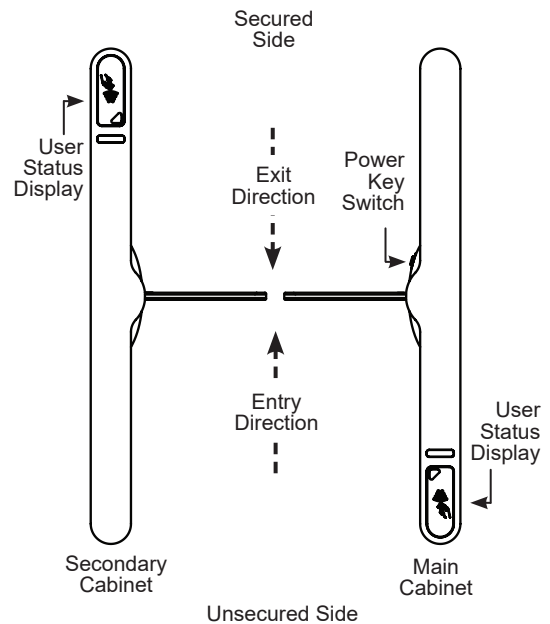
### Center Cabinet (Multi-Lane Configuration)

Center cabinets contain both Main and Secondary components. Center cabinets are extension cabinets used in multi-lane applications. An unlimited number of center cabinets can be added.

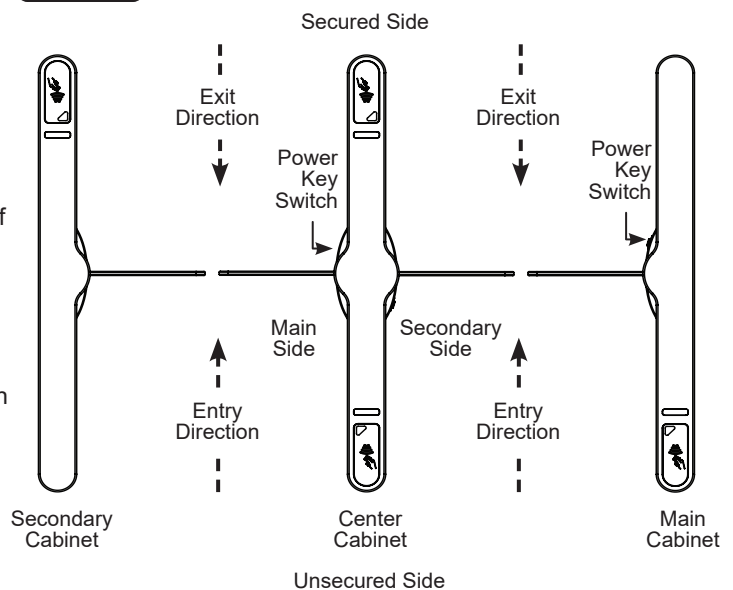
The center portion of the center cabinet contains the turnstile CPU, I/O control board, two motors and two motor control boards, power supply, safety sensors for both the Main and Secondary side of the center cabinet, two moving barriers, and a power switch located at the base on the secured side of the Main side.

The top channel of the center cabinet contains Main and Secondary side operational sensors, two drive systems, and two user status displays that communicate lane status to the user. Two card readers are normally installed during installation underneath the lid below the user status display on both sides of the center cabinet top channel.

**Fig. 1A** Single-Lane Configuration



**Fig. 1B** Multi-Lane Configuration

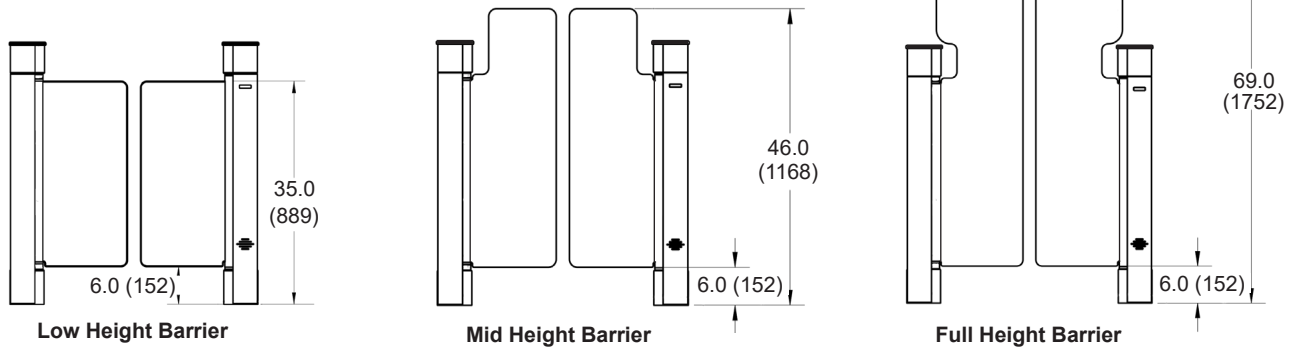




## Barrier Height

SU5000 barriers come in low (35"), mid (46") and full (69") heights [Figure 2].

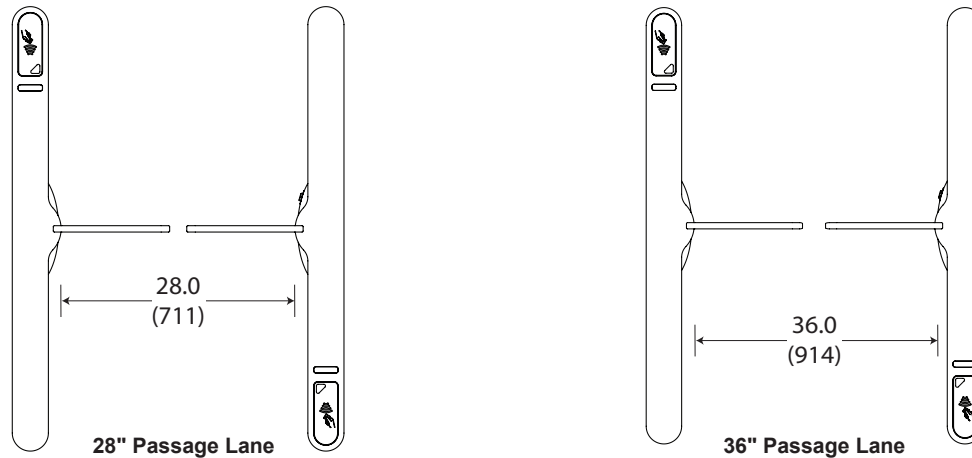
**Fig. 2** Barrier Heights



## Passage Lane Width

SU5000 barriers come in widths to create 28" or 36" passage lanes [Figure 3].

**Fig. 3** Passage Lane Widths



## Access Control Integration

There are two types of interfaces to allow an access control system to operate with the SU5000:

### Dry Contact

Single passage activation and the various other inputs and outputs available to / from the SU5000 are accessed through the I/O control board located in the Main cabinet. The required system input is a voltage-free, momentary dry contact. Outputs are also provided in this form. In rare cases, depending on the access control system, it may be desirable to utilize isolation relays to ensure proper system signaling. Additional information on I/O interfacing is provided later in this manual.

### TCP/IP

For select projects, a TCP/IP interface is available. This interface allows a third party access system to communicate to / from the SU5000 using a defined TCP/IP command structure. There is an additional charge for implementation and use of the TCP/IP interface and implementation requires programming efforts on the part of the access system provider. Instructions pertaining to the TCP/IP interface is outside the scope of this manual.

## Network Communication

SU5000 turnstiles are TCP/IP enabled. Running Ethernet cabling to the SU5000 provides a number of benefits. (1) It allows implementation of Alvarado's TCP/IP control and monitoring software. (2) It allows easy implementation of SU5000 application software updates and enhancements. If the SU5000s are networked, updates can be installed over the network. (3) Alvarado has future plans to further develop the TCP/IP capabilities of the SU5000. The benefits of this future development can only be realized if the turnstiles are networked.



### Before You Begin

Use only skilled technicians for site preparation and installation of the turnstile using Alvarado's instructions.

### Slab Requirements

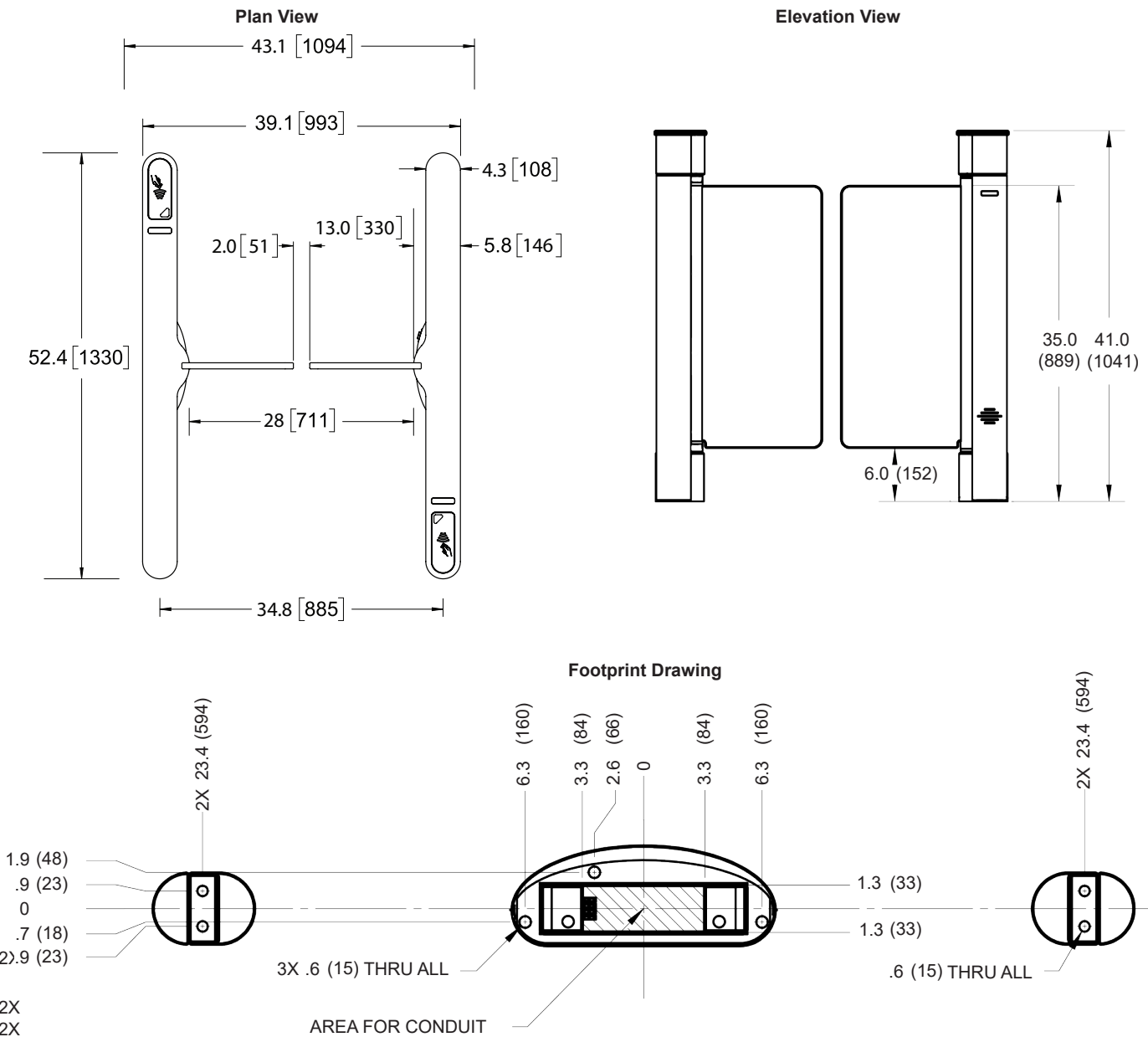
The following slab requirements must be taken into consideration when selecting the installation location:

- A level solid concrete pad with a minimum thickness of 4" (102mm).
- Use full sweep electrical conduit underneath the floor.
- Three separate conduits for primary power, external data, and the crossover cable must be used.
- Cabinets must be installed plumb with the floor while level and square to each other.

### Space Requirements

Refer to the footprint and plan drawings [Figure 4 & 5] to determine the installation location and conduit requirements for a 28" single lane. See Appendix B for 36" width.

**Fig. 4** 28" Single Lane - Plan, Elevation & Footprint Drawing

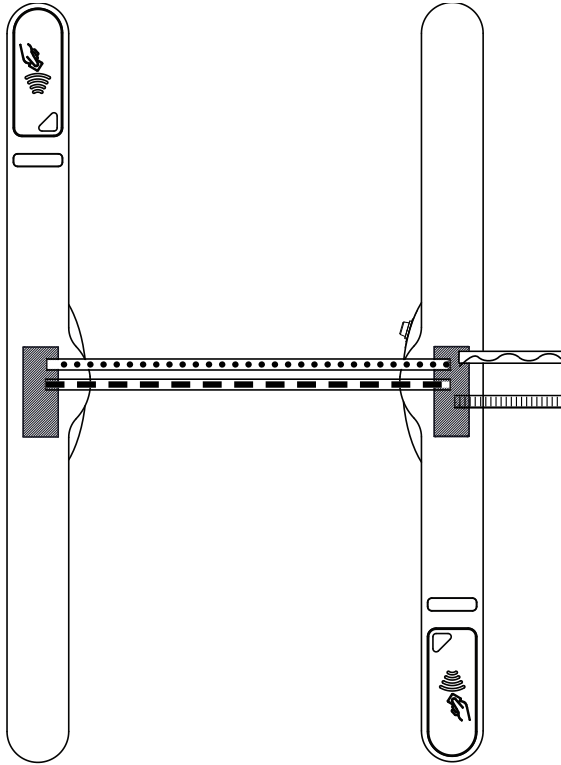






## Conduit Requirements

**Fig. 5** SU5000 Conduit Lines



Symbology	Description	Conduit Size
	Primary Power**	3/4" (1/2")**
	Access Control / Ethernet	3/4"
	Access Control	3/4"
	Crossover Cable	1"

**\*\*If the External DC Power Supply option was ordered, use 1/2" conduit to route 24VDC.**

### NOTE

- The opening for the conduit in the center of each cabinet is 6.50" x 2.50" (165mm x 64mm). The three required conduits **MUST** fit in this area [Figure 5].
- Seal the floor area around the conduits running up and into the cabinets. This will prevent condensation and debris build-up coming from whatever may be below the floor.
- For multi-lane conduit requirements, refer to Appendix E on Page 41.
- Lanes wider than 36" will receive a 13ft crossover cable.

## Electrical Requirements

<b>Power Supply</b>	110-120 VAC, 60 Hz or 220/240 VAC, 50 Hz
<b>Power Consumption</b>	<b>Peak:</b> 156W <b>Operating:</b> 120W
<b>Operational Voltage</b>	Primary power is stepped down and rectified for low-voltage 24 VDC, 12 VDC, and 5 VDC operation
<b>Fuse</b>	2.5A (slo-blo) located in the Main cabinet
<b>Drive Motor</b>	24 VDC (brushless)
<b>Surge Protection</b>	Alvarado suggests the use of surge protection on the high-voltage power line to further protect electronics

## Environmental Requirements

- **DO NOT** install the product outdoors. This product is intended for indoor use only.
- **DO NOT** install the SU5000 where infrared lighting (strobe lights, flash photography, etc.) is in the direct path of the optical sensors. Interference may affect the performance of the turnstile.

The following are suggested operating temperature and humidity ranges for the SU5000:

	Operation	Non-Operation/Storage
<b>Temperature Range</b>	10-32°C / 50-90°F	0-40°C / 32-104°F
<b>Humidity Range (Non-Condensing)</b>	15% - 85% RH	--



Operating the SU5000 outside the listed temperature and humidity ranges may negatively affect turnstile performance, and could potentially cause damage to the turnstile and void the warranty.



## Communication Requirements

### Signal Inputs and Outputs To / From Access Control System

**Inputs** - Signal inputs from outside systems are wired into the SU5000's I/O control board. There are two types of input signals, momentary dry contacts (MDC) and sustained dry contacts (SDC). All input signals must be normally open, voltage-free, dry contacts, with the exception of the fire alarm input, which can be configured (via jumper on the I/O control board) to accept either a normally open or normally closed sustained contact. MDC's must be at least 100ms in duration to register. While the SU5000 can accept signals up to 2 seconds in duration, the suggested MDC input duration is 1 second or less to support rapid throughput in high volume applications.

**Outputs** – Signal outputs are available from the SU5000's I/O control board. Outputs are normally open, voltage-free, momentary dry contacts. The output signal length is 500ms in duration.

**Inability to Provide Specified Inputs** - If the access system cannot provide the specified MDCs, isolation relays should be used. NEVER connect signal lines containing voltage directly to the I/O control board.

### Network Communication

A networked PC with Alvarado's TCP/IP control and monitoring software is required. Adhere to IEEE standards for network cabling requirements.

### Internal Card Reader Installation Requirements (Optional)

Card readers or other physical access devices may be installed under the top channel lid on either or both right-hand sides of the turnstile. Card readers / physical access devices are not supplied by Alvarado.

**The physical dimensions of the card reader cannot exceed:** 1.75" H x 3.6" W x 6.7" L (44mm x 91mm x 170mm).

### Barcode Reader Requirements (Optional)

An optional 1D/2D barcode reader can be factory supplied and installed to either or both right-hand legs of the turnstile. The barcode reader specifications are listed below.

- **Imager:** Honeywell 3320g Area Imager
- **Communication:** RS232 Serial
- **Optional Communication:** Wiegand (Using an RS232 Serial to Wiegand converter)
- **Recommended Barcode Symbology:** Code128 or Interleaved 2 of 5 for 1D barcodes; DataMatrix for 2D symbology
- **Size of Open Scan Area:** 3.00" W x 1.00" D (76mm x 25mm)
- **Maximum Barcode Reading Area on Card or Pass:** 2.00" W x .75" D (51mm x 19mm)
- **Maximum Distance of Barcode from Leading Edge of Card or Pass:** 1.00" D (22mm)

#### NOTES

At least two weeks prior to shipment, provide Alvarado with sample media of the exact size and type that will be scanned by the barcode reader. A sample of EVERY type of media that you expect to validate should be provided. Samples provided to Alvarado must be IDENTICAL (i.e., material, size, color, etc.) to the barcode media that will be used in the application.

Barcode colors and spacing matter in how well the bar codes read. In order for a barcode symbol to be recognized, there must be an adequate contrast between the dark bars and the light spaces. For best readability, follow the standard color combinations; A black barcode on a white background is always best.

### User Training

All personnel that will be involved with operating the SU5000 should be trained in the proper method of operation. Detailed operation instructions are outside the scope of this manual, but can be found in the included *SU5000 User Guide (PUD3668)*. If further training is desired, contact Alvarado for information regarding on-site training services.

### Pre-Installation Checklist

**It is the installer's responsibility to ensure the following steps are completed before beginning the installation.**

1. All components and hardware to be installed have been unpacked, correctly identified, and moved to the installation location.
2. The turnstile configuration and layout has been confirmed with the site manager.
3. All applicable requirements in the Before Getting Started section have been met.



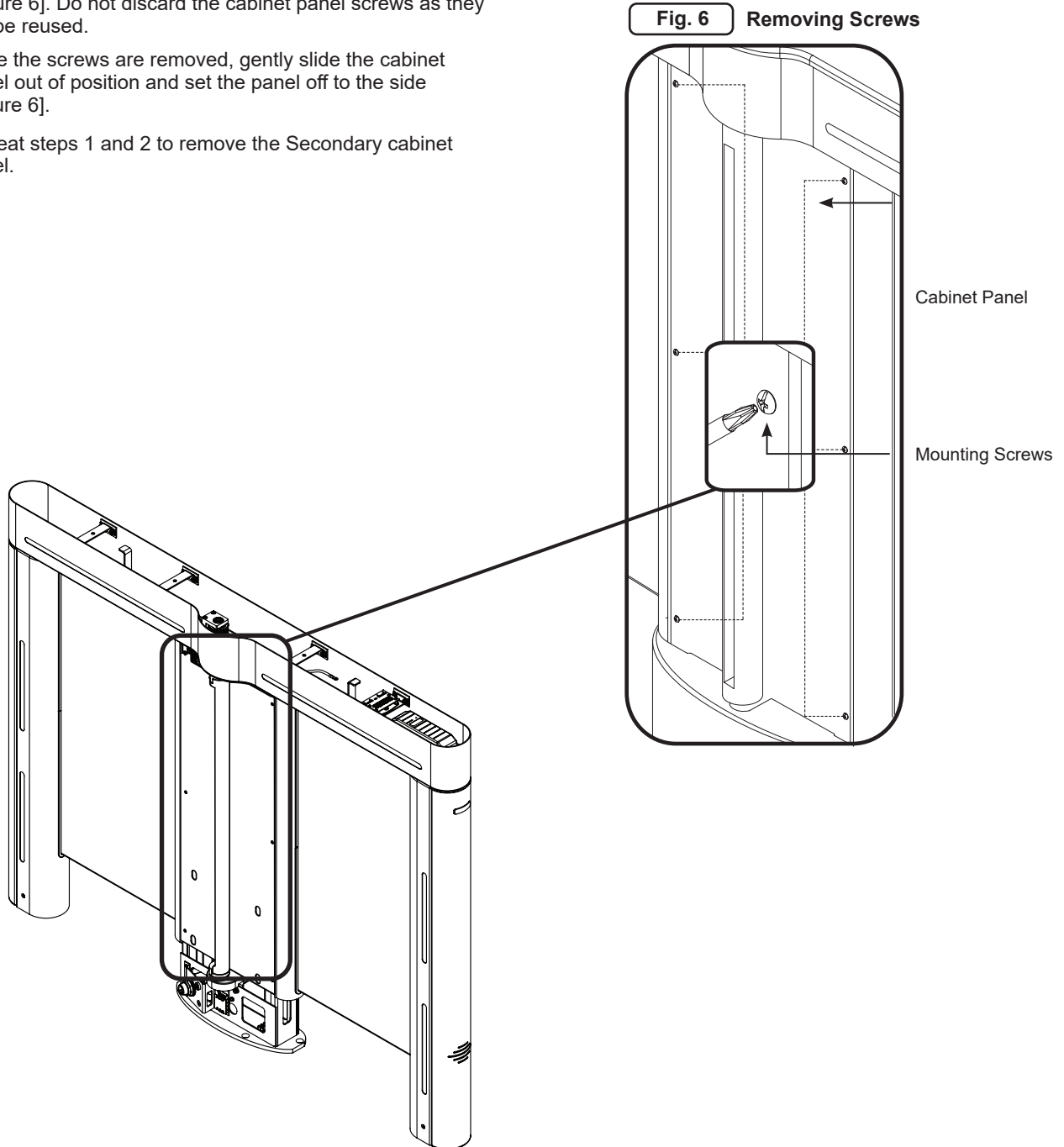
## Pre-Installation Instructions

### NOTE

It is assumed that the Pre-Installation Checklist steps are complete.

## Cabinet Panel Removal

1. Using a Phillips screwdriver, remove the six (6) mounting screws that secure the cabinet panel to the Main cabinet [Figure 6]. Do not discard the cabinet panel screws as they will be reused.
2. Once the screws are removed, gently slide the cabinet panel out of position and set the panel off to the side [Figure 6].
3. Repeat steps 1 and 2 to remove the Secondary cabinet panel.





## Baseplate Installation (Optional)

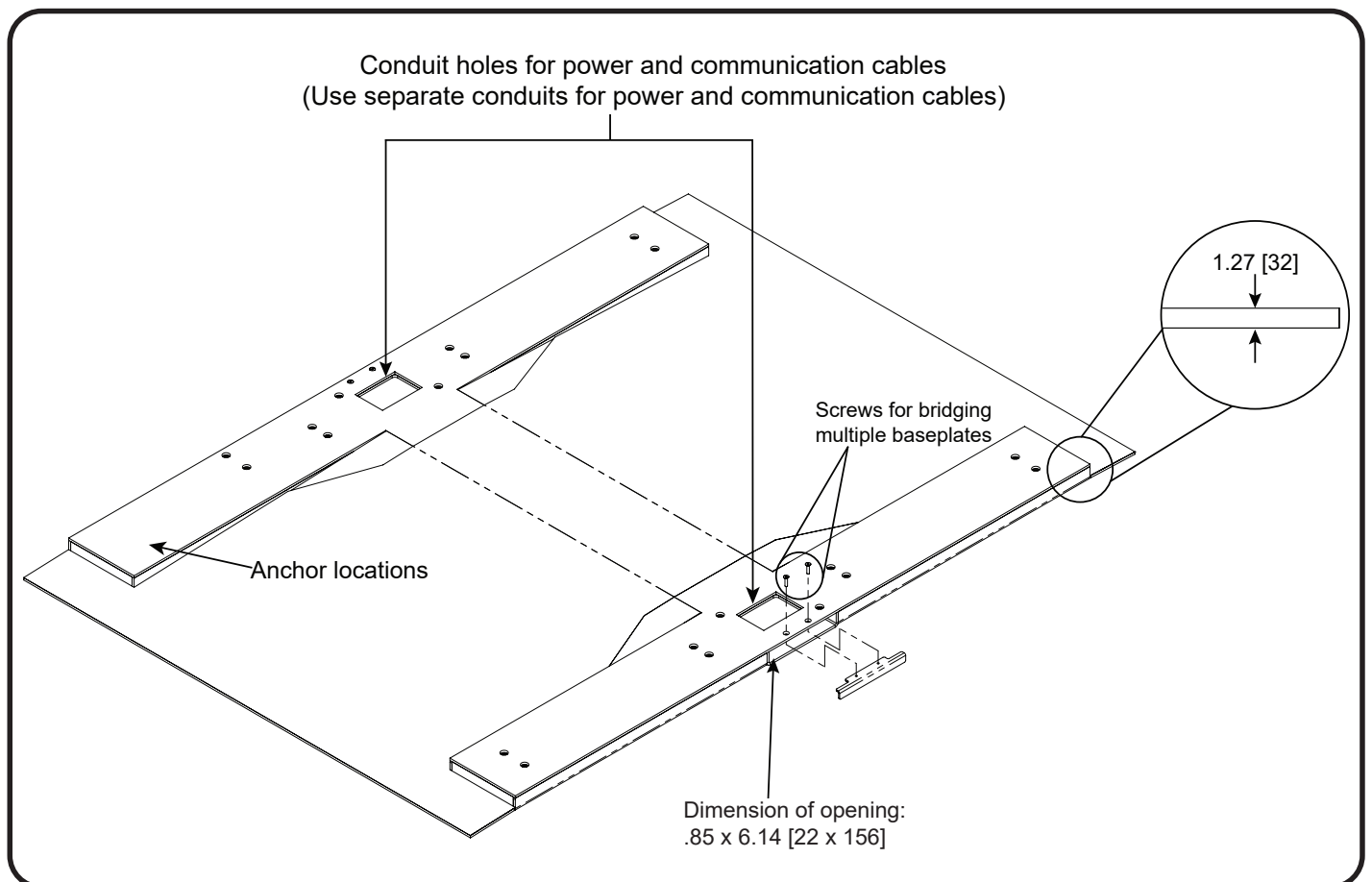
### NOTE

Refer to Appendix C on Page 34 for 28" and 36" baseplate dimensions.

The baseplate enables installation of the SU5000 turnstile on a solid foundation without the need to drill holes into the concrete. The baseplate also provides concealed conduit channels for wiring primary power, crossover communication, and access control. Baseplates may be bridged together for multi-lane configurations. The following information will guide the installer in baseplate installation:

1. Determine and mark the installation location.
2. Place the baseplate in the marked location.
3. Determine how the primary power and access control wiring will be routed to the Main and/or center cabinet. Most commonly, the wiring is run into the baseplate through one of the side plates and routed to the Main and/or center cabinet. To remove the side plate, remove the four (4) screws as shown in [Figure 8].
4. Use the **center** cable channel to route the primary power, crossover cable, and access control wires as shown in [Figure 8].
5. Mount the SU5000 cabinets to the baseplate at the anchor location using the supplied mounting bolts [Figure 8].
6. For multi-lane applications, bridge the baseplates using the supplied bridge support(s) and screws [Figure 8].
7. Reinstall the side plate(s).

**Fig. 8** Baseplate





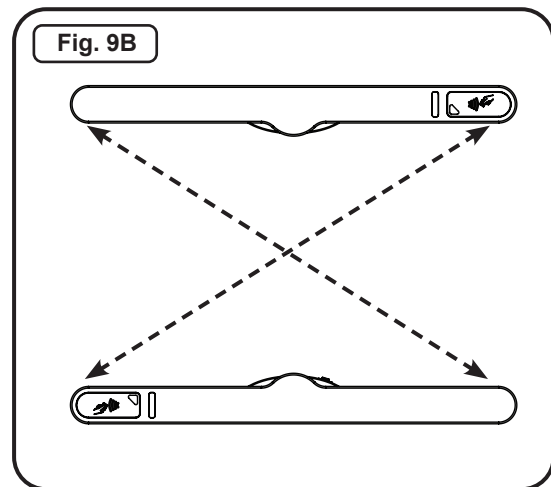
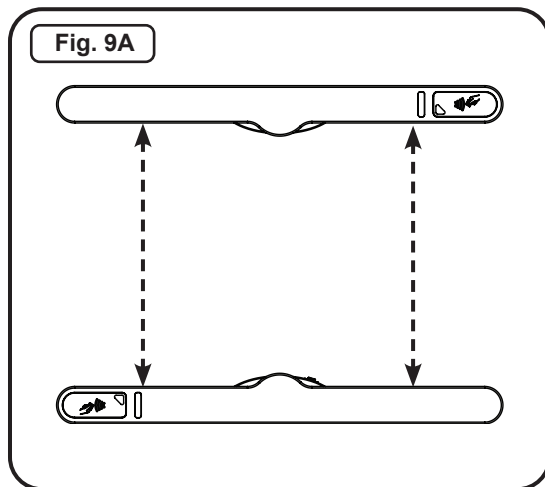
## Installation Instructions

### Anchoring the Turnstile

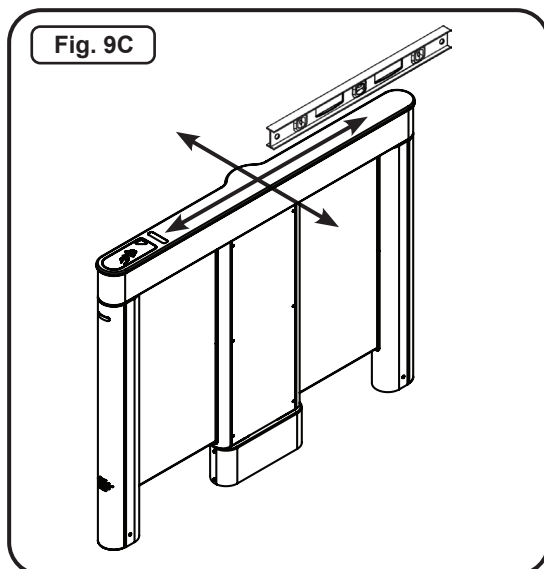
**NOTE**

The Lane 1 Main cabinet is always the right-most cabinet in relation to the unsecured side.

1. Place the Main cabinet and the Secondary cabinet in the determined location [see Space Dimensions - Figure 4].
2. All cabinets must be level and square to each other. This will ensure that the optical sensors are aligned, and that the barriers will line up properly when installed. Use the following procedures to level the cabinets, and square each cabinet with respect to the floor and other cabinets:
  - A. Measure the distance from the inside wall of one cabinet top channel to the inside wall of the other cabinet top channel, on both the entry and exit side of the lane for a consistent measurement [Figure 9A].
  - B. Measure the diagonal distance from the end of one cabinet to the end of the opposing cabinet, then measure the opposing diagonal distance [Figure 9B]. If these distances are equal, the cabinets are square.



- C. Using a level, verify each cabinet is level [Figure 9C]. If necessary, shim to bring the cabinets level.



**Anchoring the Turnstile (cont.)**

3. Remove cabinet end legs with a Phillips screwdriver and 3/32" hex key. [Figure 10]
4. Remove the card reader mounting bracket and set aside.
5. Use a pencil and mark each mounting hole location [Figure 11]. There will be a total of seven (7) mounting holes per cabinet. Remove the cabinets when complete.
6. Using a 5/8" concrete drill bit, drill the anchor holes 3" in depth at the center of each marked location.

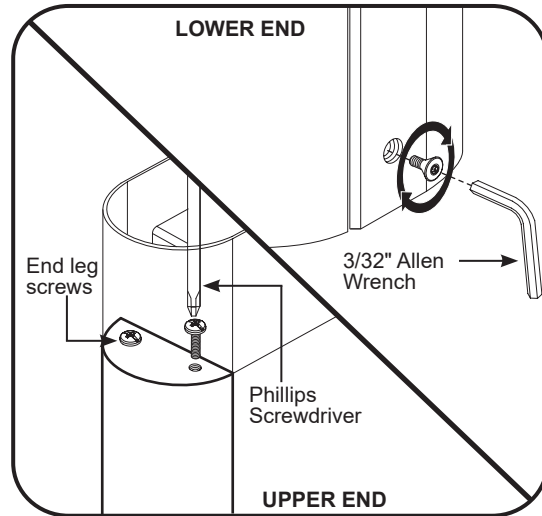
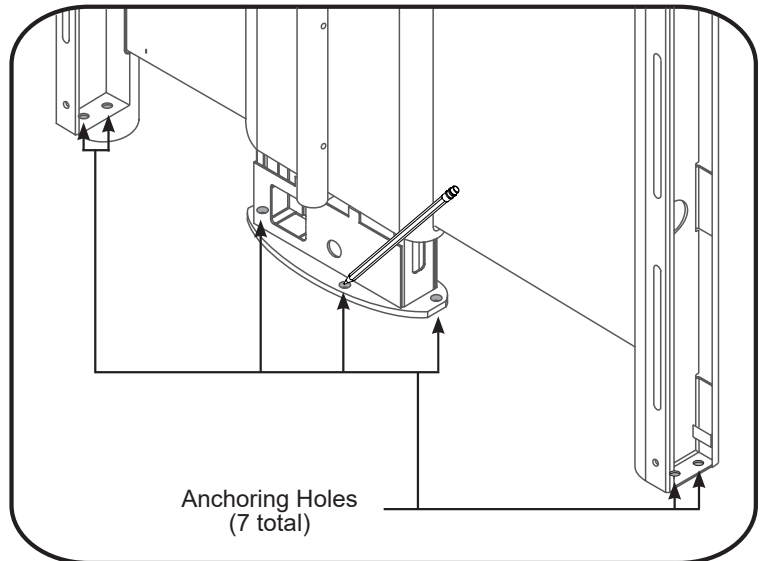
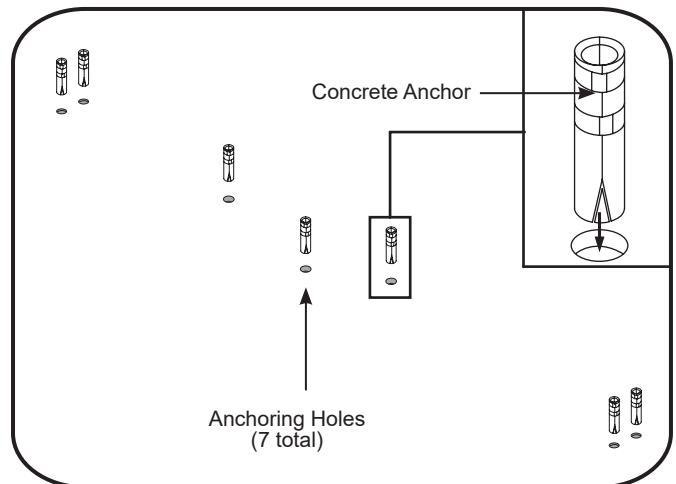
**CAUTION**

If drilling through terrazzo flooring, add the thickness of the terrazzo tile to the hole depth. Use appropriate length anchor bolts.

**NOTE**

The anchor holes must be clean before installing the anchor bolts. If the holes are not clear of debris, the anchor bolts may not tighten correctly.

5. Insert the anchors into each drilled hole [Figure 12]. The threaded end of the anchor must be inserted into the hole first. Use a hammer to tap the anchors into place, if needed. Ensure that the anchors are flush with the concrete floor.
6. If not already done, pull all wires (AC power, access control and crossover cable) through conduit and conduit access in center frame of cabinet prior to anchoring cabinets.
7. Using clear RTV silicone, seal the gaps between the conduit and conduit holes.
8. Maneuver each cabinet over the anchor locations. Insert seven (7) 3/8" x 2-1/2" anchor bolts and flat washers.
9. Using a socket wrench and 9/16" socket, provisionally snug the anchors. Do not fully tighten them yet.
10. Refer to Barrier Installation on pg.21 and perform the barrier leveling procedure.
11. Once cabinets are level and square to one another, torque anchors to 25 ft-lbs.

**Fig. 10** Removing End Legs**Fig. 11** Marking Anchor Holes**Fig. 12** Inserting Anchors



## Internal Card Reader Installation

Card readers used in connection with the site access control system are not included with the SU5000. The SU5000 has sufficient area for the installation of proximity card readers.

Most card readers do not require separate power inputs. In the event that your reader requires a separate power input – do not draw this power from the SU5000 power supply.

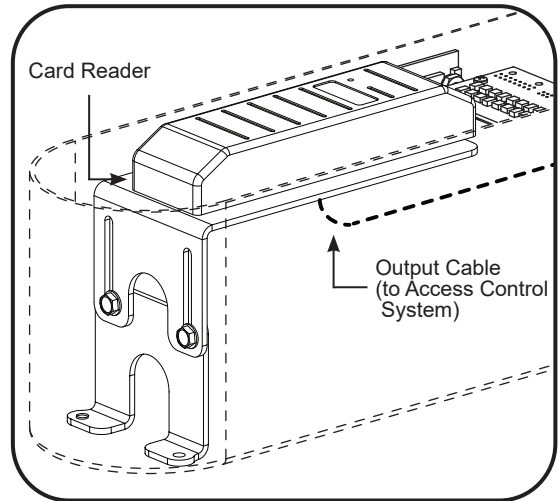
Due to the slim design of the SU5000, there is no space available to install circuit boards or other equipment associated with the access control system. Access control boards used in connection with the SU5000 are installed in locations exterior to the SU5000, in a wiring closet or other location.

1. Locate the card reader mounting bracket.
2. Install the card reader per manufacturer's instructions; route card reader output cable through the card reader mounting bracket along the path shown. [Figure 13]
3. Slightly loosen the adjustable card reader mounting screws and slide the mounting plate up / down to accommodate the card reader while test fitting the cabinet lid - tighten when proper fit is achieved. [Figure 14]
4. Fit the cabinet end legs into place - ensure correct end leg placement by observing which legs have speaker grills and end lights.
5. Using a Phillips screwdriver, secure end legs and card reader mounting brackets in place by tightening (2) end leg screws each. [Figure 14]
6. Using a 3/32" hex key, tighten the lower mounting screws at the foot of each cabinet. [Figure 10]

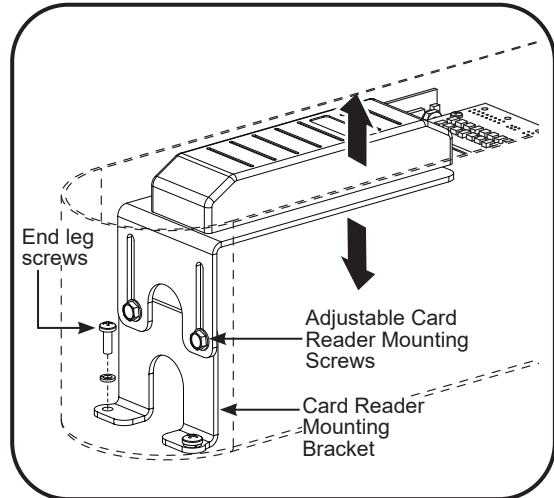
### NOTES

- Output cable must be routed down through the access hole.

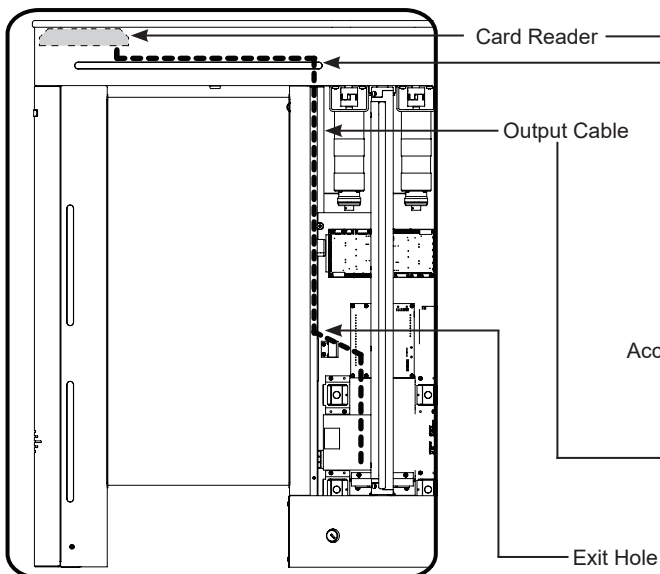
**Fig. 13** Mounting the Card Reader



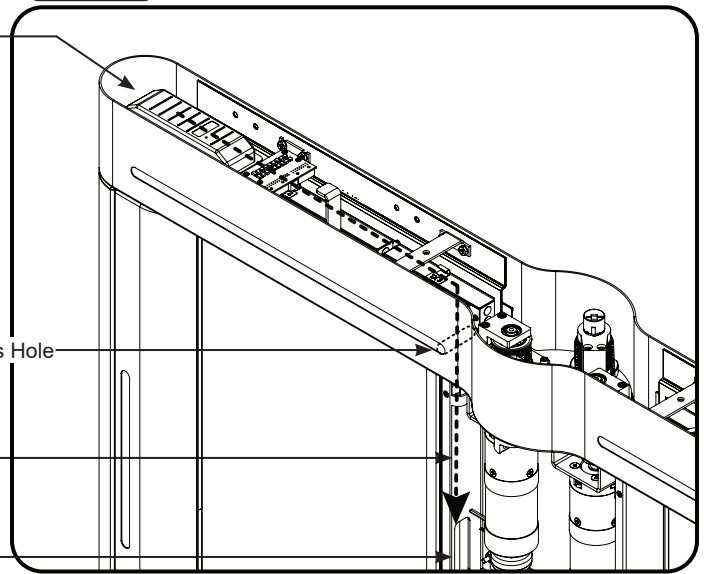
**Fig. 14** Adjusting Card Reader Height



**Fig. 15A** Routing the Output Cable



**Fig. 15B** Routing the Output Cable





## Wiring Instructions

### NOTE

FOR EXTERNAL DC POWER SUPPLY INSTALLATION INSTRUCTIONS, REFER TO APPENDIX D ON PAGE 35.

## Primary Power

### IMPORTANT

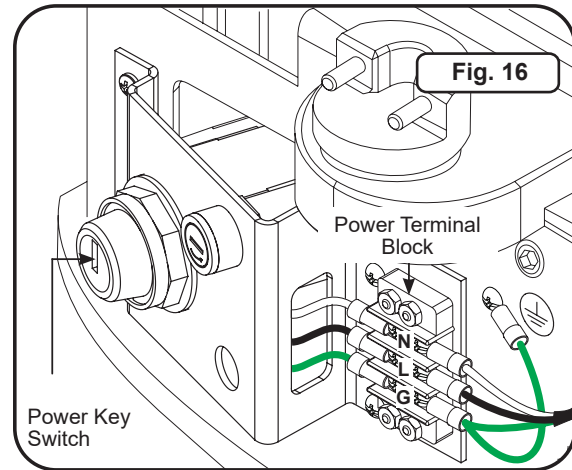
110VAC and 220VAC primary power must be hard wired in place. It is strongly recommended that a licensed electrician perform this procedure in accordance with applicable local codes.

The primary wiring lines for 110VAC and 220VAC consist of the following:

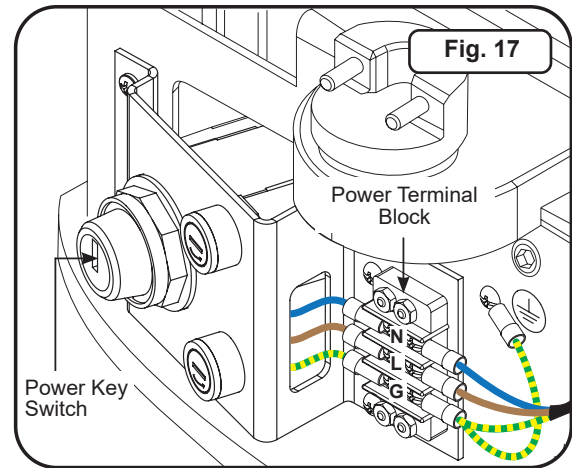
Terminal	110V	220V
<b>N</b> eutral	White	Blue
<b>L</b> ine	Black	Brown
<b>G</b> round	Green	Green/Yellow

1. Locate the pre-installed power terminal block and attached wiring (located next to the power key switch) [Figure 16].
2. Attach each power wire to the power terminal block with the corresponding color exiting on the other side [Figure 16 - 17].
3. Using a Phillips head screwdriver, tighten each terminal block connection.

### 110VAC



### 220VAC



## Crossover Cable Connection

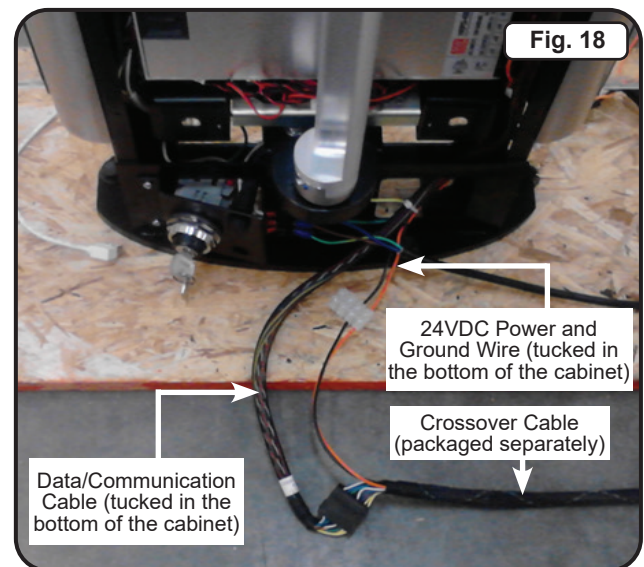
The included crossover cable passes communication signals and low-voltage 24VDC between the Main and Secondary cabinets. The default length of the crossover cable included with the SU5000 is 8'. Lanes wider than 36" must use a 13ft crossover cable. Optional crossover cable lengths of 13', 20' and 40' are available.

1. Locate the low-voltage terminal block tucked in the bottom of the base in the Main cabinet [Figure 18].
2. Insert the 24VDC positive wire (orange) and the negative wire (black) into the terminal block, matching the colors with the other side and tighten [Figure 18].
3. Connect the data connector from the crossover cable to the data connector in the Main cabinet [Figure 18].

### NOTE

**The crossover must connect from MAIN to SECONDARY.** Center cabinets have two crossover cable connectors tucked in the base: one labeled MAIN and one labeled SECONDARY. Crossover cables are used to interconnect Main and Secondary connectors between cabinets. Refer to Appendix F for crossover cable connection diagrams.

4. Repeat Steps 1 – 3 for the secondary cabinet.



### CAUTION

DO NOT MODIFY CROSSOVER CABLE.





# I/O Control Board

## Signal Inputs and Outputs To / From Access Control System

### Inputs

Signal inputs from outside systems are wired into the SU5000's I/O control board. There are two types of input signals, momentary dry contacts (MDC) and sustained dry contacts (SDC). All input signals must be normally open (N.O.), voltage-free, dry contacts, with the exception of the fire alarm input, which can be configured (via jumper on the I/O control board) to accept either a normally open or normally closed (N.C.) sustained contact. MDC's must be at least 100ms in duration to register. While the SU5000 can accept signals up to 2 seconds in duration, the suggested MDC input duration is 1 second or less to support rapid throughput in high volume applications.

### Outputs

Signal outputs are available from the SU5000's I/O control board. Outputs are normally open, voltage-free, momentary dry contacts. The output signal length is 500ms in duration.

### Inability to Provide Specified Inputs

If the access system cannot provide the specified MDCs, isolation relays should be used. NEVER connect signal lines containing voltage directly to the I/O control board.

LEGEND	
ITEM	NAME
J1	Input Terminals
J2	Output Terminals
JP1	RS485 Termination Resistor
JP2	RS485 Termination Resistor
JP3	Fire Alarm System Jumper (N.O. - N.C.)
S1	Entry Side Open Test Button
S2	Entry Side Reject Test Button
S3	Previous Sensor Group
S4	Next Sensor Group
S5	Exit Side Open Test Button
S6	Exit Side Reject Test Button

Fig. 19 Main Cabinet

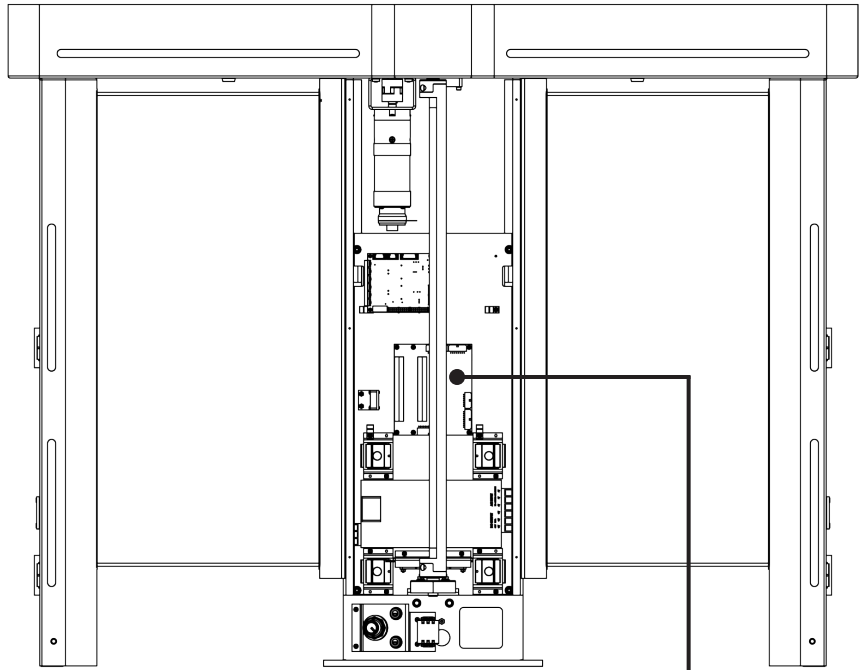
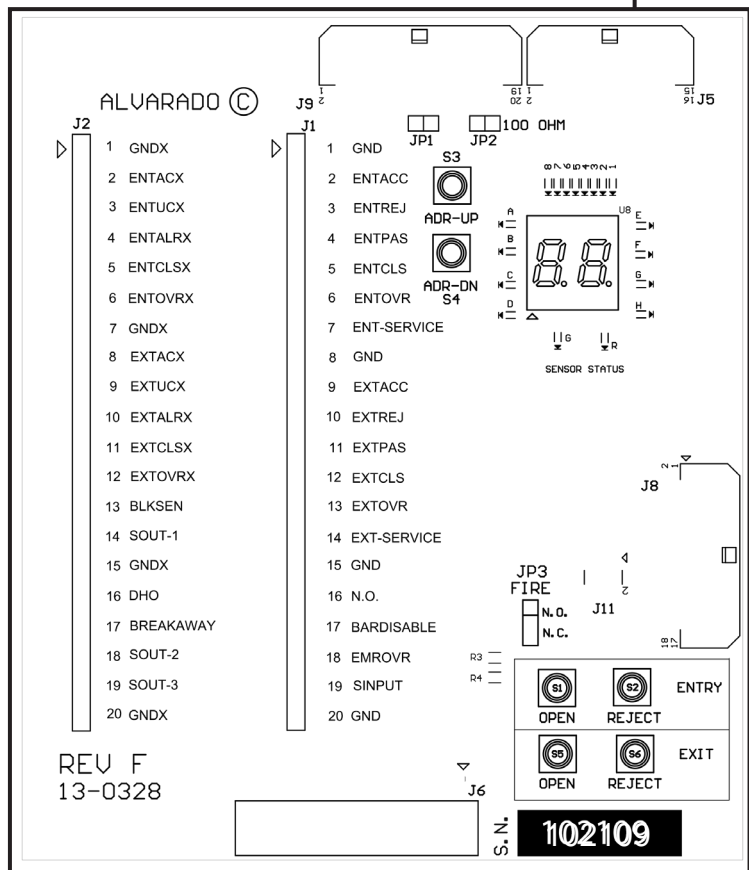


Fig. 19A I/O Control Board



**I/O Control Board (13-0328) Terminal Descriptions**

J2 Output Contacts					J1 Input Contacts				
Pin #	Pin Name	Function Description	Contact Type	Function & Behavior Description	Pin #	Pin Name	Function Description	Contact Type	Function & Behavior Description
1	GNDX	Ground	N/A	Common output signal ground.	1	GND	Ground	N/A	Common input signal ground.
2	ENTACX	Authorized Passage Entry	MDC	An output occurs when an authorized entry passage is completed.	2	ENTACC	Good Card Entry	MDC	Opens the turnstile for one authorized passage until passage occurs or timeout.
3	ENTUCX	Unauthorized Passage Entry	MDC	An output occurs when an unauthorized entry passage is completed.	3	ENTREJ	Bad Card Entry	MDC	Illuminates the entry side RED User Status Icon for 2 seconds.
4	ENTALRX	Unauthorized Presence Entry	MDC	An output occurs when there is entry into the lane area from the entry direction without authorization.	4	ENTPAS	Free Passage Entry	SDC	Sets the turnstile to Free Passage mode in the entry direction.
5	ENTCLSX	Tailgate Passage Entry	MDC	An output occurs when there is a tailgate passage in the entry direction.	5	ENTCLS	Close Direction Entry	SDC	Sets the turnstile to No Passage mode in the entry direction.
6	EXTACX	N/A	N/A	Reserved	6	ENTOVR	Single Override Entry	MDC	Opens the turnstile for one authorized passage in the entry direction independent of the access control system. (Typically used for button at security desk.)
7	GNDX	Ground	N/A	Common output signal ground.	7	ENTSERVICE	Visitor Mode	SDC	Places the turnstile in Free Passage/Barrier Disabled Mode in both the entry and exit directions.
8	EXTACX	Authorized Passage Exit	MDC	An output occurs when an authorized exit passage is completed.	8	GND	Ground	N/A	Common input ground signal.
9	EXTUCX	Unauthorized Passage Exit	MDC	An output occurs when an unauthorized exit passage is completed.	9	EXTACC	Good Card Exit	MDC	Opens the turnstile for one authorized passage until passage occurs or timeout.
10	EXTALRX	Unauthorized Presence Exit	MDC	An output occurs when there is entry into the lane area from the exit direction without authorization.	10	EXTREJ	Bad Card Exit	MDC	Illuminates the exit direction RED User Status Icon for 2 seconds.
11	EXTCLSX	Tailgate Passage Exit	MDC	An output occurs when there is a tailgate passage in the exit direction.	11	EXTPAS	Free Passage Exit	SDC	Sets the turnstile to Free Passage mode in the exit direction.
12	EXTOVRX	N/A	N/A	Reserved	12	EXTCLS	Close Direction Exit	SDC	Sets the turnstile to No Passage mode in the exit direction.
13	BLKSEN	Blocked Sensor	MDC	An output occurs when a sensor is blocked for a defined length of time (default 15 seconds).	13	EXTOVR	Single Override Exit	MDC	Opens the turnstile for one authorized passage in the exit direction independent of the access control system. (Typically used for button at security desk.)
14	SOUT-1	N/A	N/A	Reserved.	14	EXTSERVICE	Lid Alarm Input	N/A	If equipped, lid sensors connect here. If not equipped, do not use.
15	GNDX	N/A	N/A	Common output signal ground.	15	GND	Ground	N/A	Common input ground signal.
16	DHO	Door Held Open	MDC	An output occurs when the barriers remain open after the allotted time to close after passage (default 12 seconds).	16	N/O	Normally Open Mode	N/A	Not available on the SU5000.
17	BREAKAWAY	Barrier Broken Away	MDC	An output occurs when the barrier holding force has been exceeded and the barriers give way.	17	BARDISABLE	Barrier Disable Mode	SDC	Sets the turnstile to Barrier Disabled mode for barrierless optical turnstile operation.
18	SOUT-2	Lid Alarm	MDC	An output occurs when the lid load sensors detect sufficient weight on the lid to prevent climbing over the cabinets.	18	EMROVR	Emergency Override	SDC (N.O. or N.C.)	Opens the barriers toward the unsecured side; barriers remain open and turnstile is inactive until SDC is removed, or contact is reestablished if N.C. jumper is enabled. (Typically used for fire alarm or life safety systems.)
19	SOUT-3	N/A	N/A	Reserved	19	SINPUT	N/A	N/A	Reserved
20	GNDX	Ground	N/A	Common output signal ground.	20	GND	Ground	N/A	Common output signal ground.



## Configuring Passage Modes

The SU5000 provides bi-directional access control in conjunction with a facility access control system. For bi-directional applications, the entry and exit directions can be individually configured to different passage modes to suit facility requirements. For example, a turnstile can be configured for Controlled Passage mode in the entry direction, and Free Passage mode in the exit direction. SU5000 passage modes are described on Page 23. Further information on the smart use of passage modes can be found in the *SU5000 User Guide (PUD3668)*.

Turnstile passage modes can be configured in one of three ways:

### I/O Control Board

Passage modes are set via wiring to the I/O control board inputs. This method is ideal for facilities that do not require changing passage mode configurations throughout the day. This is the most common method used by our customers. Instructions for wiring to the I/O control board are provided below.

### Turnstile Lane Key Control

If this option has been ordered for your turnstiles, two 3-position key switches are installed on the turnstile. Turning the key to one of the three positions allows each turnstile direction to be placed in any of the passage modes. Instructions on using lane key control are provided on Page 26.

### GateKeeper

GateKeeper is an optional software application. GateKeeper, along with other functionality, allows the passage modes for both the entry and exit side of the turnstiles to be changed. Instructions on configuring passage modes using GateKeeper is outside the scope of this manual.

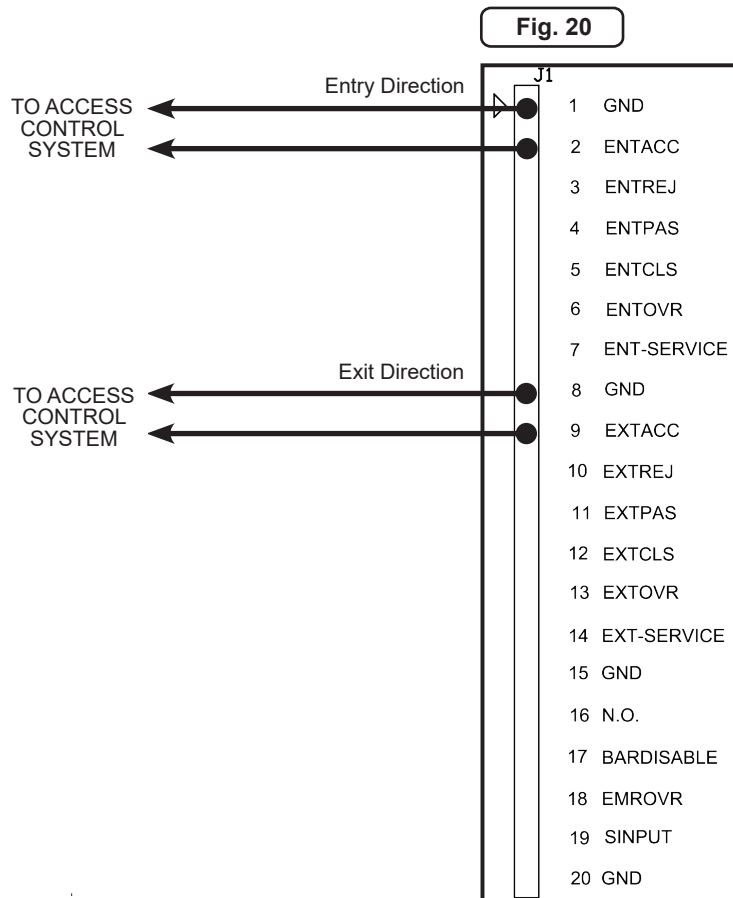
## Setting Controlled Passage Mode (I/O Control Board)

### Entry Direction

1. Locate the access control system leads used to indicate an authorized passage in the **entry** direction is allowed.
2. Connect leads to the ENTACC and GND terminals on the I/O control boards input terminal strip (J1) [Figure 20].

### Exit Direction

1. Locate the access control system leads used to indicate an authorized passage in the **exit** direction is allowed.
2. Connect leads to the EXTACC and GND terminals on the I/O control boards input terminal strip (J1) [Figure 20].





### Setting Free Passage Mode (I/O Control Board)

Fig. 21

#### Entry Direction

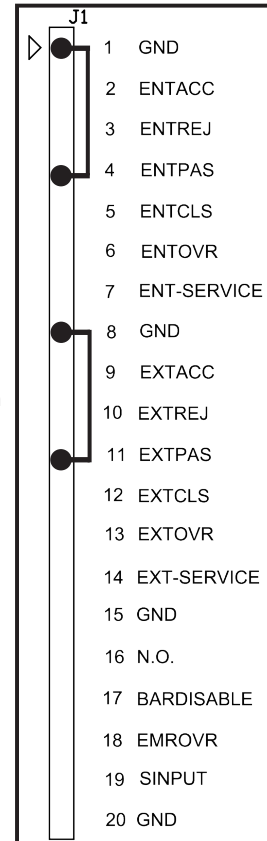
1. Locate the ENTPAS and GND terminals.
2. Using a wire jumper, connect the ENTPAS and GND terminals [Figure 21].

#### Exit Direction

1. Locate the EXTPAS and GND terminals.
2. Use a wire jumper to connect the EXTPAS and GND terminals [Figure 21].

Entry Direction

Exit Direction



### Setting No Passage Mode (I/O Control Board)

Fig. 22

#### Entry Direction

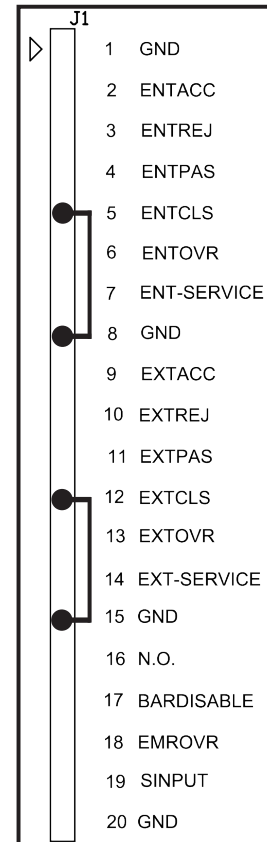
1. Locate the ENTCLS and GND terminals.
2. Use a wire jumper to connect the ENTCLS and GND terminals [Figure 22].

#### Exit Direction

1. Locate the EXTCLS and GND terminals.
2. Using a wire jumper, connect the EXTCLS and GND terminals [Figure 22].

Entry Direction

Exit Direction





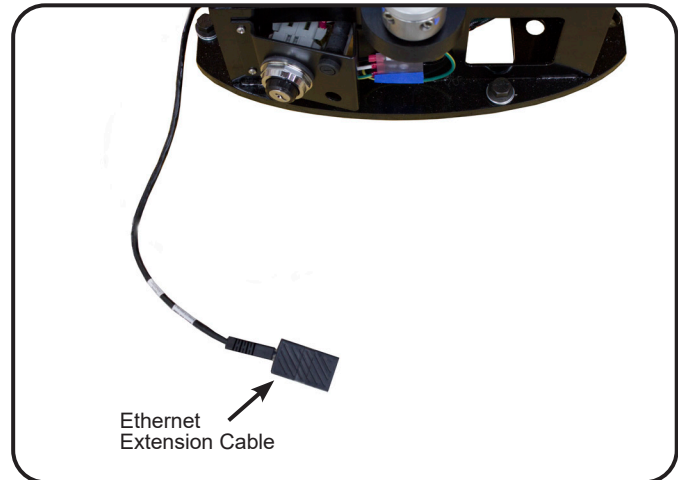
## Ethernet Communication (Optional)

### NOTE

It is assumed that Ethernet cabling has been run to the turnstile via conduit and pulled through the conduit opening in Step 6 of the Anchoring the Turnstile section.

1. Locate the Ethernet extension cable tucked in the base of the Main/center cabinet [Figure 23].
2. Connect the Ethernet cable to the Ethernet extension cable.
3. Tuck the Ethernet extension cable back into the base of the cabinet.

**Fig. 23** I/O Control Board



## Barrier Installation

### NOTE

The barriers are shipped unattached inside a crate. The clamp bars and hardware are packaged in the box labeled "HARDWARE ENCLOSED."



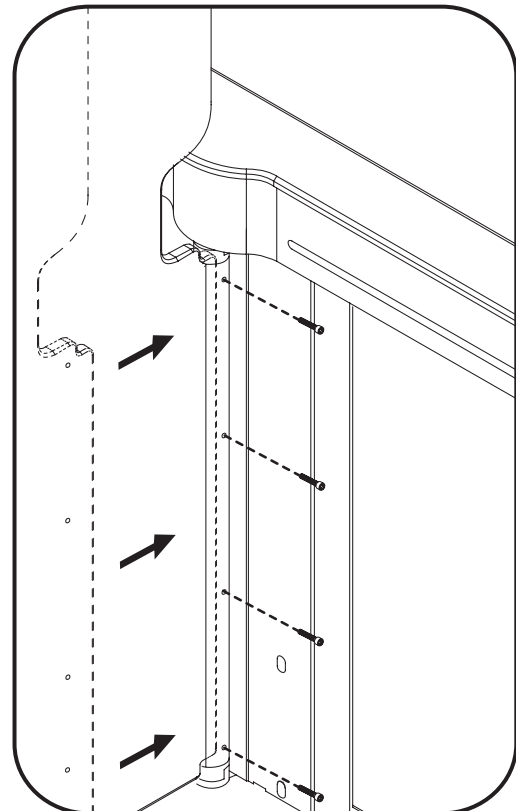
This installation requires two people: One person will need to hold the barrier while the other person inserts and tightens the mounting screws.

1. Insert the barrier edge into the mounting groove on the spindle, aligning the barrier and spindle mounting holes [Figure 24].

### NOTE

- Exercise care not to scratch the barriers during handling. Do not lay or lean the barriers on an abrasive surface. If the barriers are going to be cleaned, use only a soft cloth and a cleaner suitable for acrylic surfaces.
- Barriers must be attached prior to testing. Abnormal behavior may result if tested without the barriers attached.

**Fig. 24** Inserting Barrier Edge

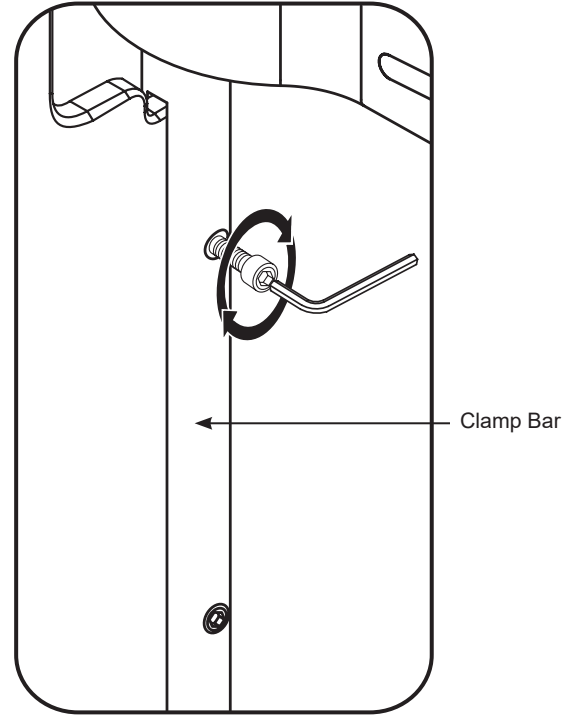




### Barrier Installation (cont.)

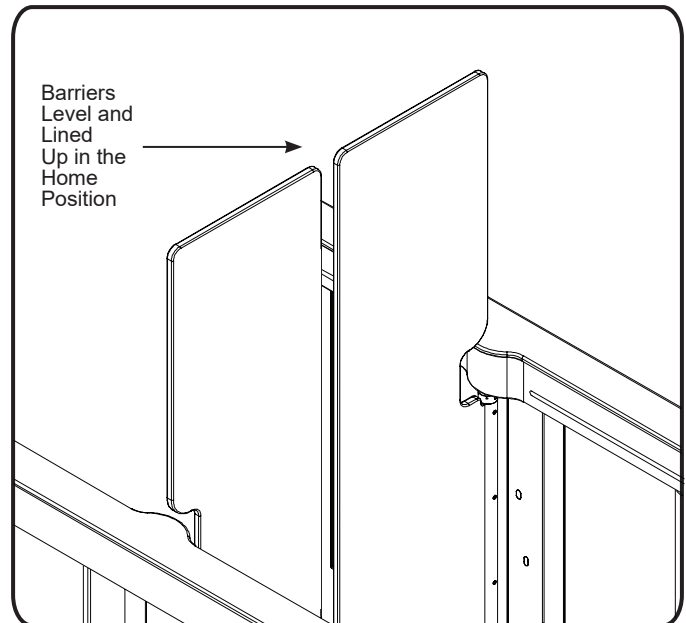
2. Position the clamp bar on the barrier. Insert and tighten the mounting screws and clamp bar to 44 in-lbs. Test to make sure the barrier does not wiggle [Figure 25].

**Fig. 25** Tightening Mounting Screws



3. Once the barriers have been installed, check that they are level and lined up properly in the Home position. If the barriers do not line up in the Home position, the cabinets may not be level. Insert shims as needed to level barriers. Refer to Page 13 for instructions on leveling and squaring the cabinets.

**Fig. 26** Checking that Barriers are Level



**NOTE:** The barriers below are shown in the Home Position.









## Post-Installation Functions Check

Alvarado turnstiles are thoroughly inspected and tested for proper performance prior to being shipped. Perform the following function checks to verify the turnstiles have been installed properly and are fully operational. If any problems are encountered during the functions check, refer to the Troubleshooting section on Page 31.

## Passage Modes

Before beginning the Post-Installation Functions Check, please read the following brief descriptions of the three SU5000 passage modes. More information on SU5000 passage modes can be found in the *SU5000 User Guide (PUD3668)*.

Passage Mode	Description	User Status Display	Open / Closed Status Light
<b>Controlled Passage</b>	The barriers are closed, securing the turnstile. Upon receipt of an authorization signal from an access control system the barriers move away from the user to the open position, allowing a single passage in the authorized direction. The barriers will close after the user has passed through the turnstile or the time delay reset (6 second default) has expired. <b>This is the default passage mode the SU5000s are set to before leaving the factory.</b>	 Amber	 Green
<b>Free Passage</b>	An access control authorization signal is not required for a user to pass through the turnstile. Barriers are closed until a user enters the turnstile at which time the barriers automatically open in the direction of travel. The barriers will close after the user has passed through the turnstile or the time delay reset (6 second default) has expired.	 (Flashing Green)	 Green
<b>No Passage</b>	No passage is allowed. The barriers are closed and remain closed. Valid electronic credentials are ignored and passage is not allowed. The barriers will still open in the exit direction if a fire alarm or life safety input is received.	 Red	 Red

## Powering On

### NOTE

The keys to power the turnstile ON/OFF are packaged in the hardware box that was shipped with the turnstile.

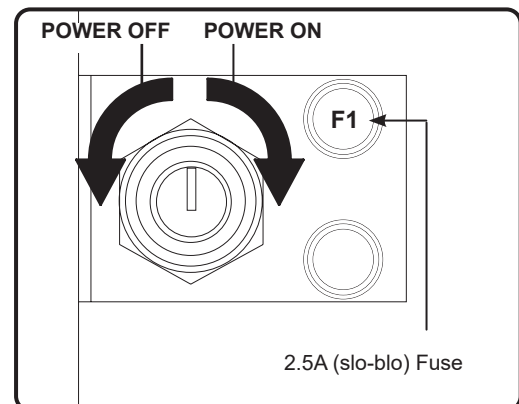
There is a power key switch on the inside of the base cover of all Main and center cabinets.

1. Turn on AC power using the power key switch [Figure 27]. The power-up cycle will take less than one minute to complete.
2. After the power-up sequence has completed, the SU5000 barriers will move to the Home position and the SU5000 will enter into Controlled Passage mode, for both the entry and exit directions.

### NOTE

Barriers are pre-aligned at the factory. However, they may need slight adjustment after installation. Refer to Appendix A on Page 32 for instructions on setting the barrier Home position.

**Fig. 27** Power Key Switch





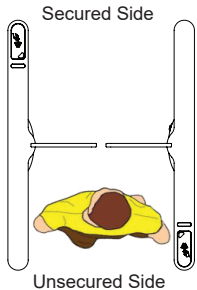
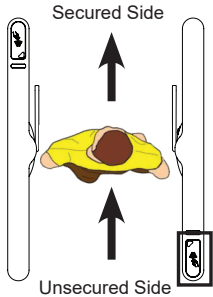
## Testing Turnstile Functionality

Perform the following turnstile functionality tests to validate basic turnstile operation. Tests are provided for Controlled Passage, Free Passage, and No Passage modes.

The following is assumed (Controlled Passage mode tests only):

- The access control system is operational and all access control wiring to the turnstile is connected.
- Valid access cards are on hand for activating the turnstile.

### CONTROLLED PASSAGE MODE

TEST	PROCEDURE	TURNSTILE RESPONSE
<p style="text-align: center;"><b>Unauthorized Entry / Exit</b></p>  <p style="text-align: center;">(Unauthorized Entry shown)</p>	<p>Enter the turnstile without authorization.</p>	<ul style="list-style-type: none"> <li>• Unauthorized Entry / Exit alarm sounds.</li> <li>• Red LED flashes on the User Status Display in the direction of the violation.</li> <li>• Open / Closed Status Light turns red in the direction of the violation.</li> <li>• Barriers remain closed.</li> </ul>
<p style="text-align: center;"><b>Authorized Entry / Exit</b></p>  <p style="text-align: center;">(Authorized Entry shown)</p>	<p>Using a valid card, activate the turnstile. Walk through the turnstile. Verify the barriers close upon passage completion.</p>	<ul style="list-style-type: none"> <li>• Authorized Entry chime sounds.</li> <li>• Green LED illuminates on the User Status Display in the entry / exit direction, respectively.</li> <li>• Barriers move to the open position, and close upon passage completion or the timeout period is reached.</li> </ul>





## Testing Turnstile Functionality (cont.)

### FREE PASSAGE MODE

<p><b>Free Passage Entry / Exit</b></p> <p>(Free Passage Exit shown)</p>	<p>Enter the turnstile and complete a passage.</p>	<ul style="list-style-type: none"> <li>• User Status Light green LED is flashing.</li> <li>• Barriers open away from the user entering the turnstile.</li> <li>• Barriers close after passage completion.</li> </ul>
--	--	--

### NO PASSAGE MODE

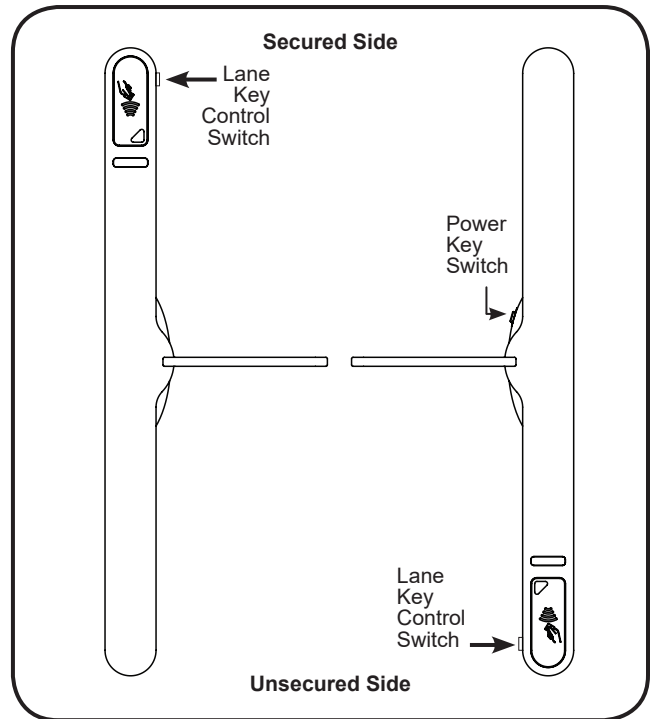
<p><b>No Passage Entry / Exit</b></p> <p>(No Passage Exit shown)</p>	<p>Enter the turnstile.</p>	<ul style="list-style-type: none"> <li>• User Status Light red LED is illuminated.</li> <li>• Open / Closed Status Light is red.</li> <li>• No alarms sound when standing in the turnstile.</li> <li>• Barriers remain closed.</li> </ul>
--	-----------------------------	---



### Testing Lane Key Control (Optional)

Optional 3-position lane key control switches can be selected during the ordering process. Lane key control switches are used to change passage modes for both directions of travel. Two (2) lane key control switches are installed per turnstile in the bottom end legs as shown in [Figure 28].

**Fig. 28** Lane Key Control Switch Locations

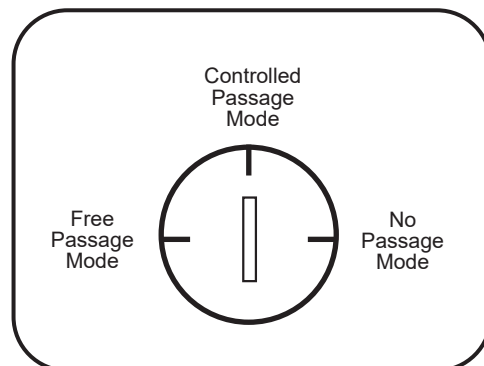


Turning the key to one of three positions overrides all existing settings, placing the turnstile in Controlled Passage mode, Free Passage mode or No Passage mode depending on the orientation of the key [Figure 29]. Refer to the Passage Modes section on Page 23 for more information.

**NOTE**

The keys to the lane key control switches are packaged in the hardware box that was shipped with the turnstile.

**Fig. 29** Lane Key Control Switch





## Testing Ethernet Communication (Optional)

### NOTE

The following procedure is applicable to non-networked (standalone) turnstiles. For instructions on testing Ethernet communication over a facility network, please refer to the *SU5000 User Guide (PUD3668)*.

### Required Items:

- CAT5/6 Ethernet Cable
- Laptop Computer Running Windows (with the IP address to an appropriate range)

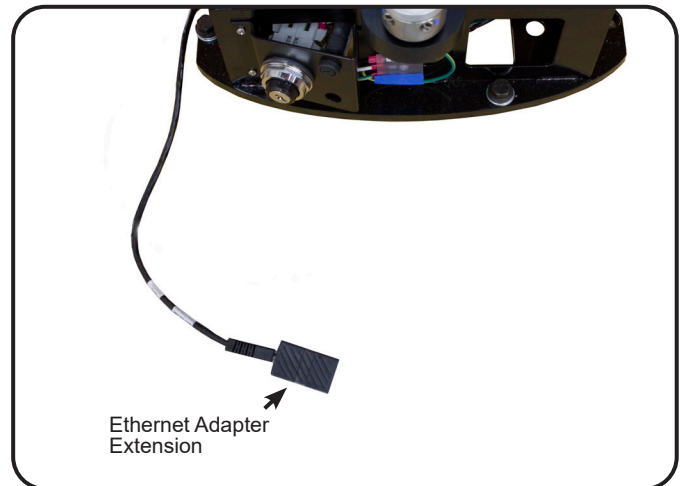
1. Locate the Ethernet Adapter extension tucked in the base of the Main/center cabinet [Figure 30].
2. Connect the Ethernet cable to the Ethernet adapter extension.
3. Connect the other end of the Ethernet cable to the laptop computer.
4. Launch **Command Prompt** on the computer by typing **CMD** in the 'Search programs and files' field.
5. Enter the following command: **ping XXX.XXX.XXX.XXX**, where XXX.XXX.XXX.XXX is the IP address of the turnstile [Figure 29].

### NOTE

**192.168.0.100** is the default IP address configured by Alvarado. If the turnstile has been assigned a different network IP address, ping that IP address instead. Contact your system administrator for network information.

6. A successful ping will result in the message shown in [Figure 31]:

**Fig. 30** Ethernet Adapter



**Fig. 31** Ping Results

```

Administrator: C:\Windows\system32\cmd.exe
C:\>ping 192.168.0.100
Pinging 192.168.0.100 with 32 bytes of data:
Reply from 192.168.0.100: bytes=32 time<1ms TTL=128
Reply from 192.168.0.100: bytes=32 time<1ms TTL=128
Reply from 192.168.0.100: bytes=32 time<1ms TTL=128
Reply from 192.168.0.100: bytes=32 time<1ms TTL=128

Ping statistics for 192.168.0.100:
    Packets: Sent = 4, Received = 4, Lost = 0 (0% loss),
    Approximate round trip times in milli-seconds:
        Minimum = 0ms, Maximum = 0ms, Average = 0ms

C:\>
  
```



## Finish the Installation

### Cabinet Lid Installation

#### NOTE

Due to limited access, use the 4mm Allen 'stubby' wrench provided. (The wrench is taped to the underside of all **end cabinet lids**.)

1. Lower the lid onto the cabinet housing [Figure 32].

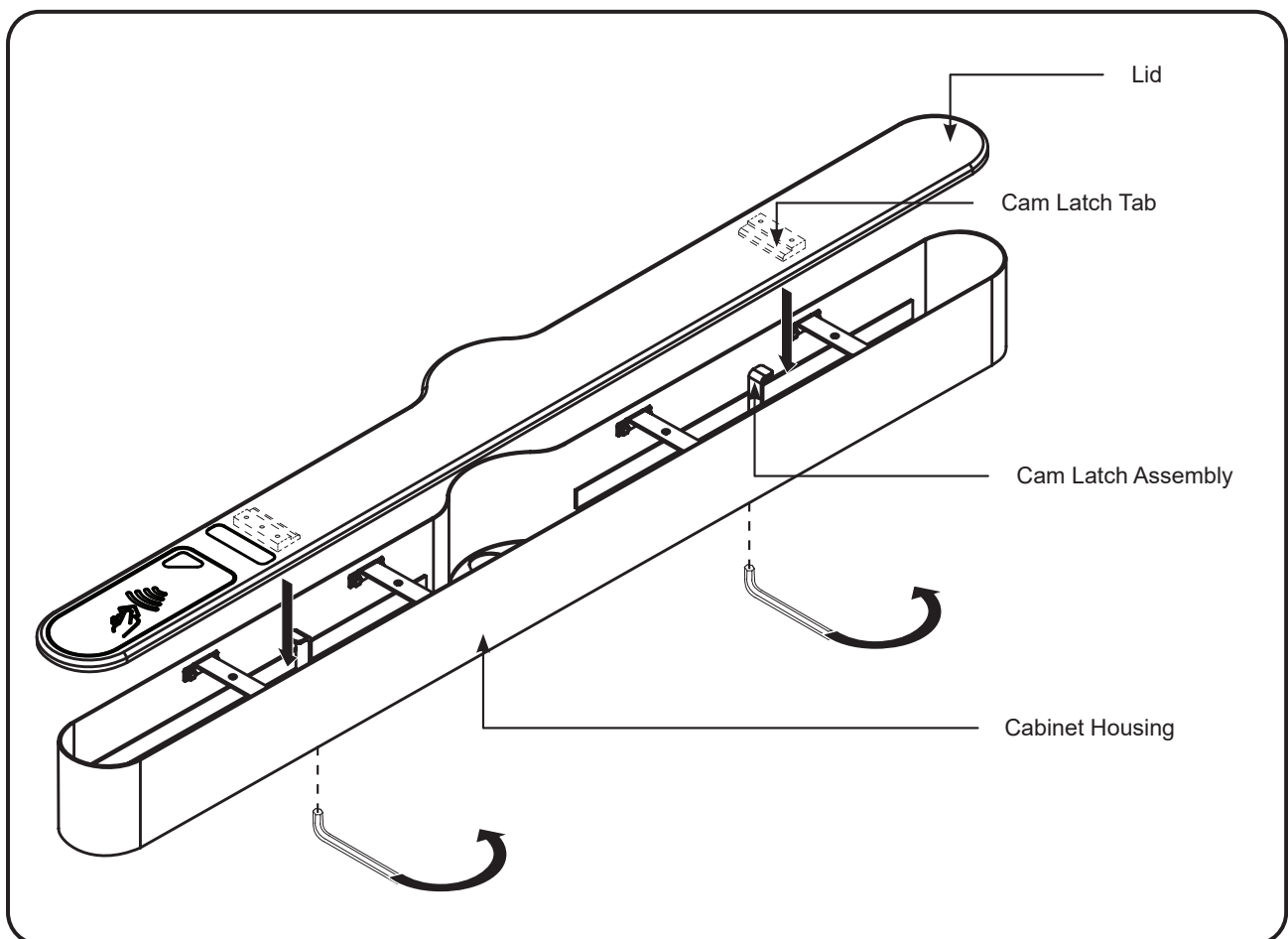


#### WARNING

Do not force the lid into place. Doing so may damage the lid.

2. Insert the 4mm 'stubby' Allen wrench into the cam latch assembly (located under the cabinet housing) and turn 180° counter-clockwise until there is no movement in the lid [Figure 32].
3. Repeat steps 1 and 2 to install the remaining cabinet lid(s).

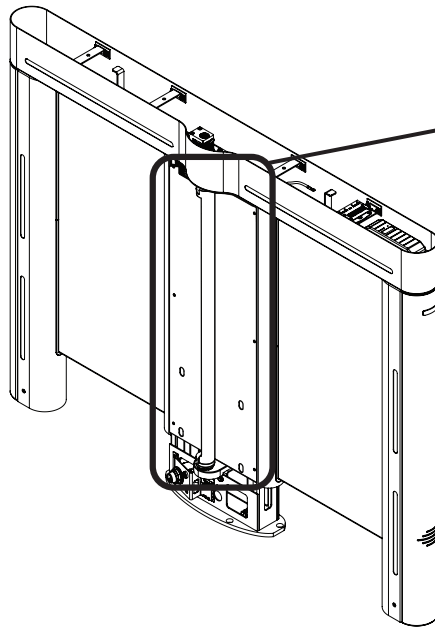
**Fig. 32** Cabinet Lid Installation



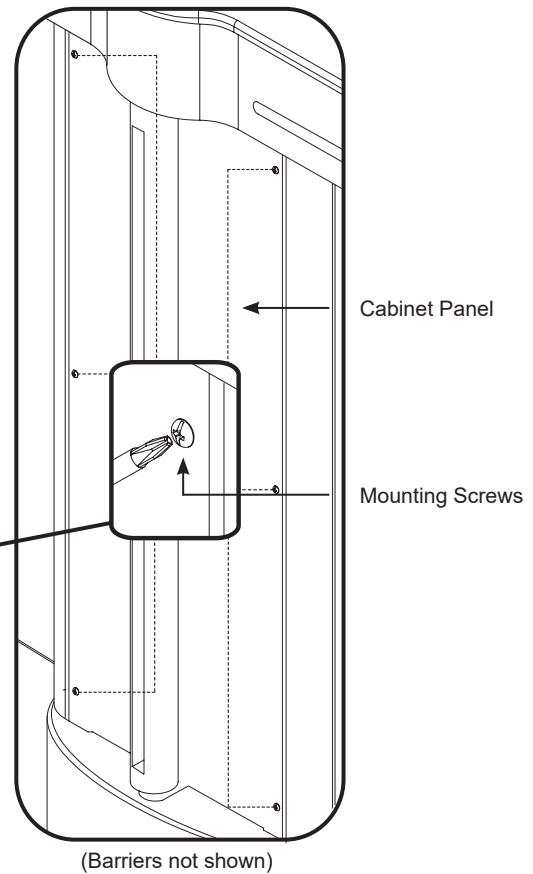


## Cabinet Panel Installation

1. Orient the cabinet panel so the sensor windows are at the bottom and gently slide the cabinet panel into position.
2. Using a Phillips screwdriver, insert and tighten the six (6) mounting screws that secure the cabinet panel to the cabinet [Figure 33].
3. Repeat steps 1 and 2 to install the remaining cabinet panel(s).



**Fig. 33** Cabinet Panel Installation



## Base Cover Installation

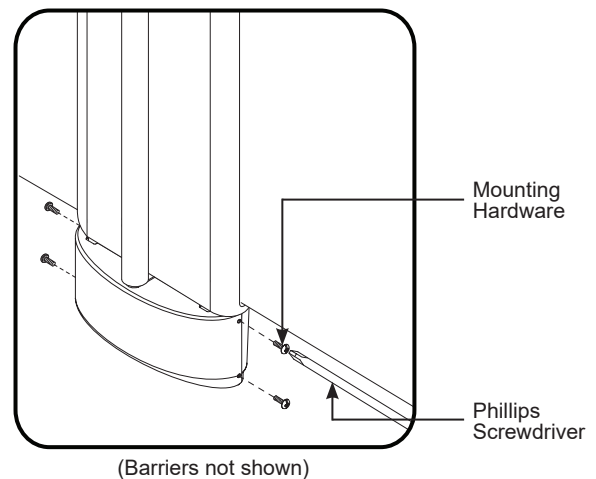
1. Place the base covers in position. The opening for the power key switch must be facing towards the interior of the lane.

### NOTE

Main and center cabinet base covers can be identified by the power key switch hole.

2. Align the four (4) mounting holes (located on each side of the base cover) [Figure 34].
3. Using a Phillips screwdriver, insert and tighten the mounting hardware [Figure 34].
4. Repeat Steps 1 - 3 to install the remaining base covers.

**Fig. 34** Base Cover Installation





## Post-Installation Checklist

1. Power On
  - SU5000 boots up successfully as confirmed by two audible chimes.
2. Lane Functionality
  - User status displays and open / closed status lights are functioning properly.
  - Auditory alarms are playing back correctly.
  - Barriers move smoothly between the open and closed positions.
3. Access Control Integration
  - Installed card readers are successfully reading credentials.
  - Valid credentials are activating the turnstile.
4. Barrier Alignment
  - Barriers are properly aligned in both the open and closed positions.
  - Barriers aligned in the Home position.
5. Attachment
  - Barriers, cabinet lids, end covers, and base covers are securely fastened to the turnstile.
6. Wipe Down Turnstile
  - Acrylic - Wipe down acrylic barriers using a soft cloth and cleaner suitable for acrylic surfaces. We recommend Brilliance and Novus #1 acrylic cleaners.
  - Stainless Steel – Wipe down stainless steel with a damp cloth or use Alvarado's recommended commercial products (see *SU5000 User Guide - PUD3668*).
  - Powder Coated - Wipe down powder coated surfaces with a damp cloth.
7. Manuals Handoff
  - Provide both these *SU5000 Installation Instructions* and the *SU5000 User Guide* to the project or site manager.

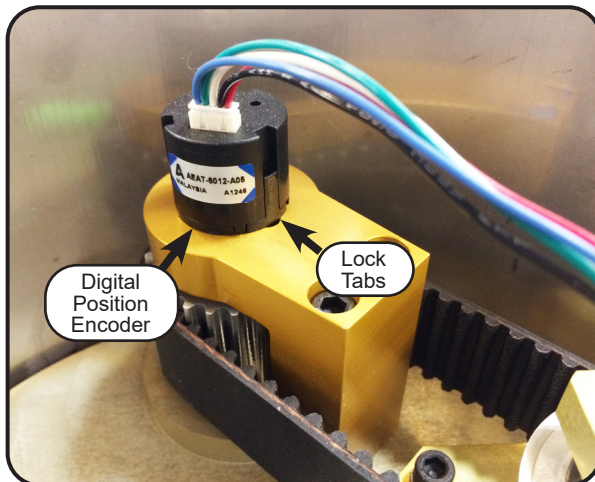


## Troubleshooting

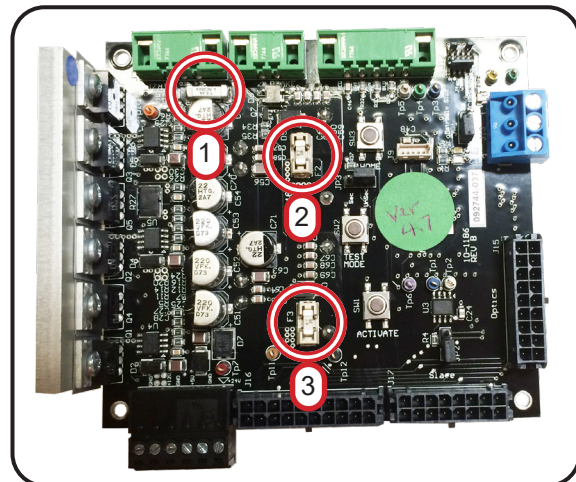
This basic troubleshooting section is provided to aid installers with the most commonly encountered installation problems. If you require further troubleshooting assistance, contact Alvarado Technical Support for the Optical Troubleshooting Document.

Symptom	Possible Cause	Solution
Unit will not turn on	No power	Make sure that there is power to the turnstile power terminal block. Check if LEDs are lit on the I/O control board and the seven-segment display is showing a number.
	Blown fuse	Check fuse. If necessary replace with a 2.5A (slo-blo) fuse.
Constant auditory alarming	Communication/low-voltage cable	Check the I/O control board to see if the red STATUS LED is lit or flickering. If it is, the most likely problem is a loose or improper communication connection. Disconnect the black 16-pin connectors from the I/O control board and motor control boards, apply contact cleaner / lubricant to connector pins and reseat. Retry operation.  If condition persists, perform the same process on the 16-pin connectors going into and out of the light boards and sensor boards. Retry operation. Alvarado Technical Support has a process document and can provide additional instructions.
Barriers operate erratically	Digital position encoder is not in place	Verify the digital position encoder is secured to the pulley shaft with all the locks tabs in place. [Figure 35]. <b>NOTE: After re-seating the digital position encoder, the barrier Home Position must be reset PRIOR to power cycling the turnstile. Refer to Appendix A for instructions to set the Home Position.</b>
Barriers do not move.	Blown 24VDC fuse on the motor controller board.	Locate the motor controller board fuses [Figure 36]. Using a multimeter, check the 24VDC 6.3A fuse for continuity. If the fuse is blown, contact Alvarado for replacement instructions.
Blocked Sensor auditory alarms sounds after 15 seconds (default).	Wire or cable blocking sensors	Check for a stray wire or cable in front of the transmit and receive operational sensors (horizontal arrays). Tuck any stray wire or cable out of sensor viewing area. If this does not resolve the problem, contact Alvarado technical support for instructions on using the ADR-UP and ADR-DN buttons on the I/O control board to perform diagnostics on sensors.
Barriers either stay open or start to close then open back up	Safety sensor blocked	Check for a stray wire or cable in front of the individual transmit and receive safety sensors. Tuck any stray wire or cable out of sensor viewing area. If this does not resolve the problem, contact Alvarado technical support for instructions on using the ADR-UP and ADR-DN buttons on the I/O control board to perform diagnostics on sensors.
Barriers do not align in closed position	Home position needs to be reset	Follow the Setting the Home Position instructions in Appendix A on Page 32.
System does not boot.	Motor controller board fuse is blown.	Locate the motor controller board fuses [Figure 36]. Using a multimeter, check the 5VDC 3A and 12VDC 2A fuses for continuity. If a fuse is blown, contact Alvarado for a replacement. <b>NOTES: If a user status display or open / closed status light is out, this may indicate the 5VDC 3A fuse is blown. If the motor controller board LEDs are out, this indicates the 12VDC 2A fuse is blown.</b>

**Fig. 35** Digital Position Encoder



**Fig. 36** Motor Controller Board Fuses



**FUSES**

- 1) 24VDC 6.3A    2) 12VDC 2A    3) 5VDC 3A



# Appendix A - Setting the Home Position

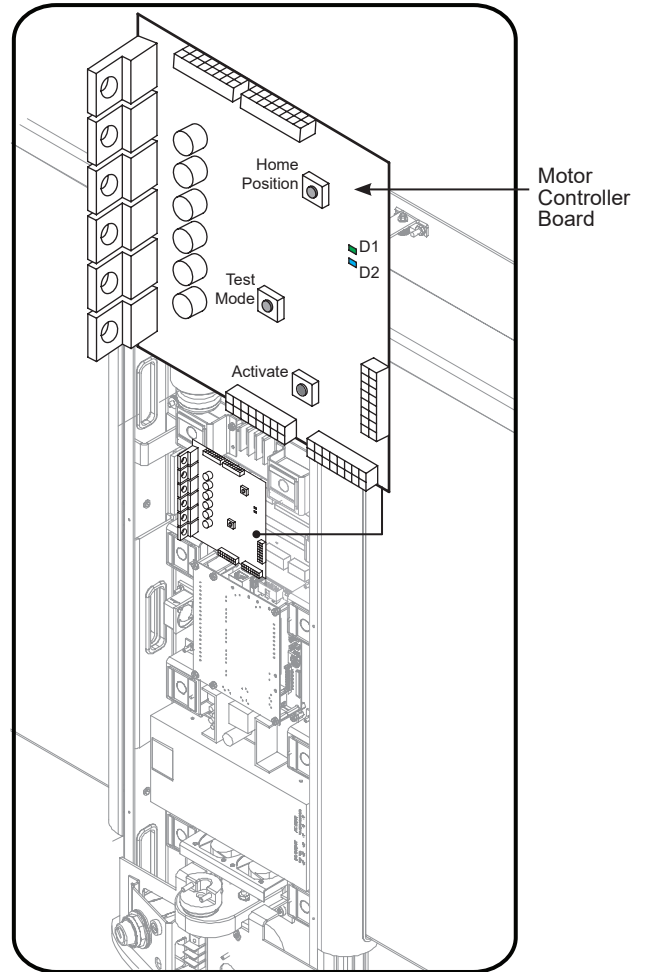
1. Locate the motor controller board in the Main or center cabinet [Figure A1 or A2] respectively. The (D2) LED will be blinking indicating normal operation mode.
2. Press the 'Test Mode' button for two seconds. The (D2) LED will be lit solid. You are now in test mode [Figure A1].
3. Move the barrier a couple of inches in both directions and then place it in the home position [Figure A3].
4. Press the 'Home' button to set.
5. Press the 'Test Mode' button for two seconds to exit test mode. The (D2) LED will return to blinking status indicating normal operation mode.
6. Locate the Secondary motor controller board in the Secondary or center cabinet.

### NOTE

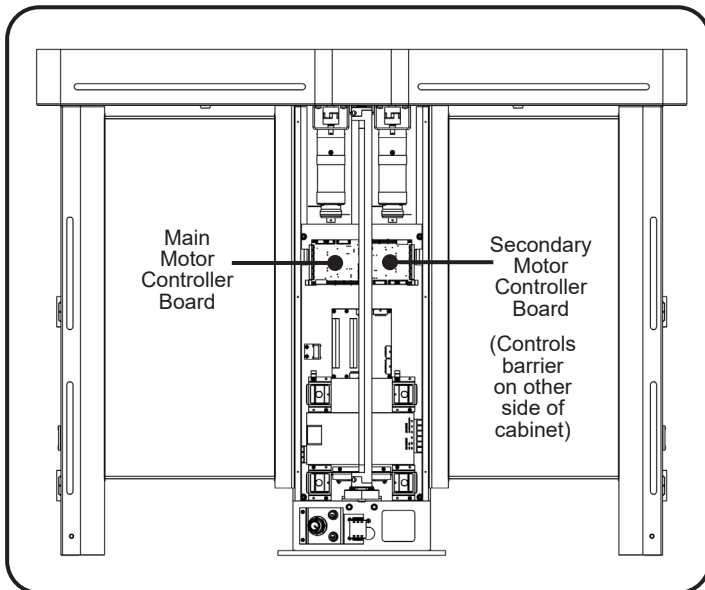
On center cabinets, the Secondary motor controller board controls the Secondary barrier on the other side of the cabinet (the adjacent lane).

7. Repeat Steps 1 through 5 for the Secondary barrier.

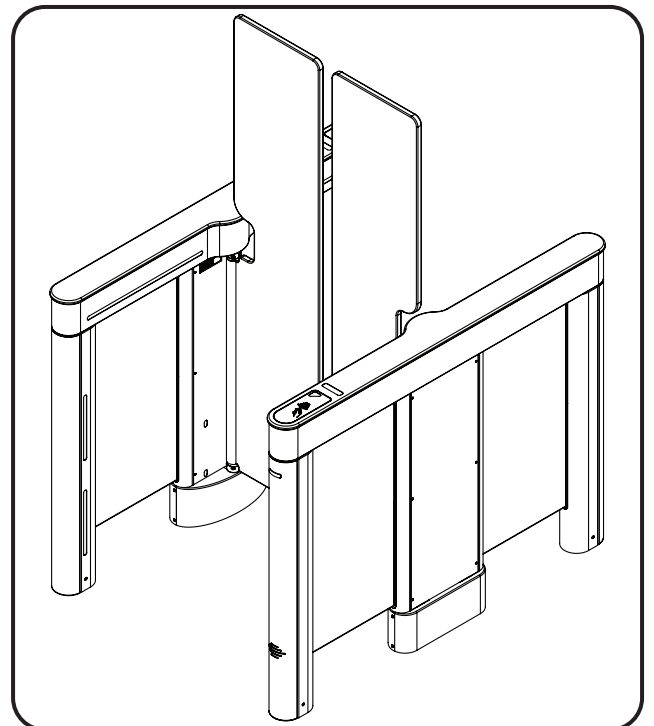
**Fig. A1** Main Cabinet - Motor Controller Board



**Fig. A2** Center Cabinet - Motor Controller Boards



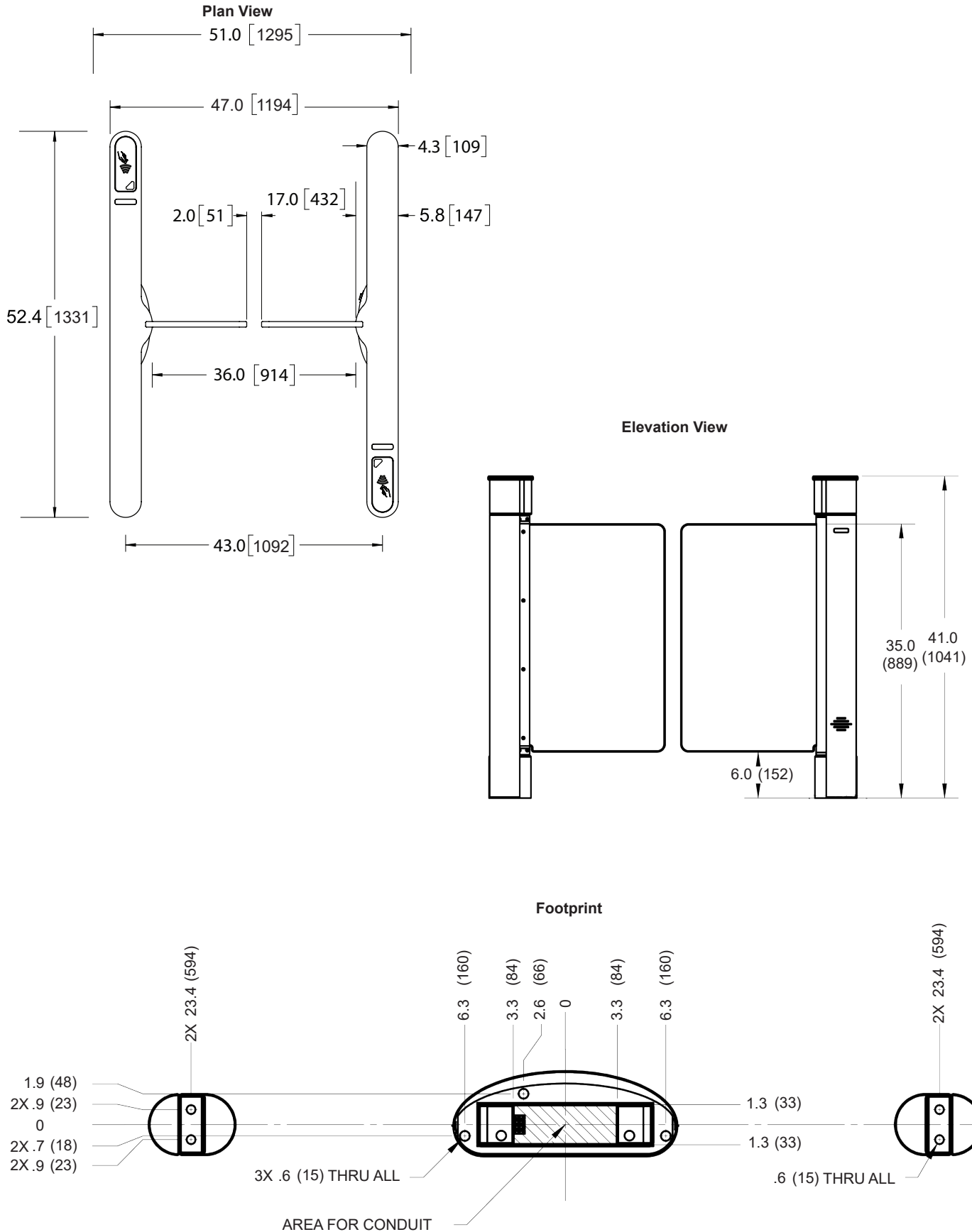
**Fig. A3** Barrier Home Position







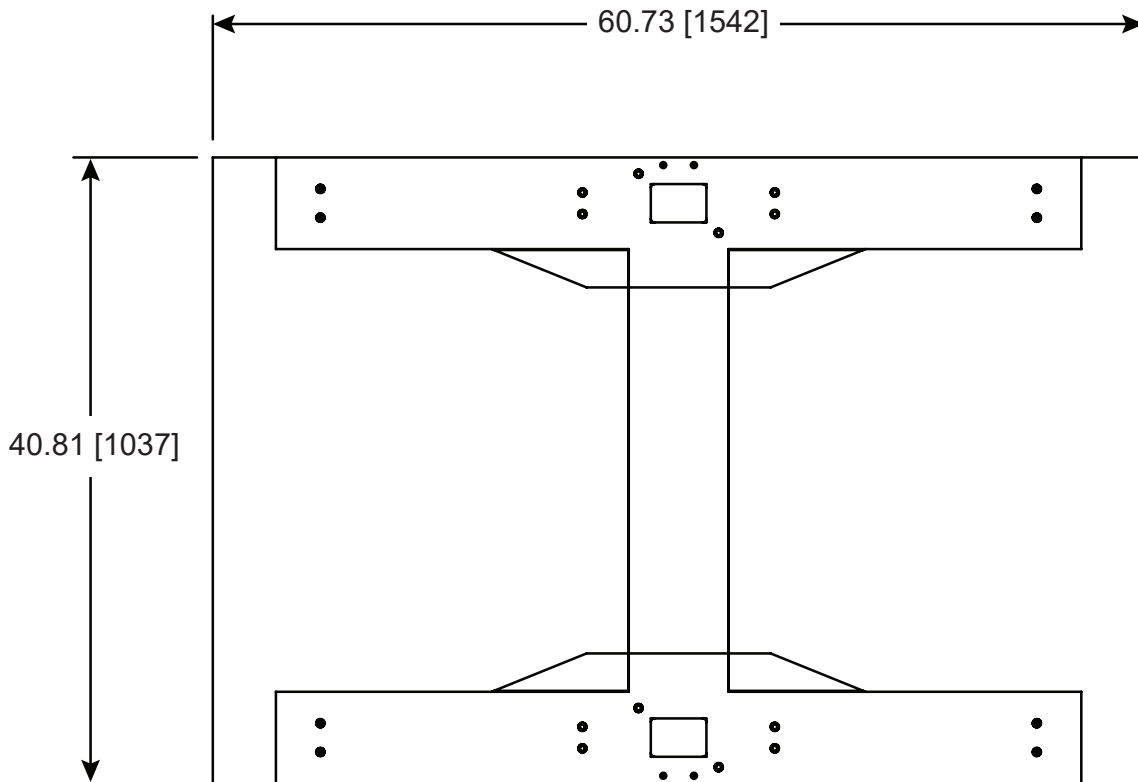
## Appendix B - 36" Single Lane - Plan, Elevation & Footprint Drawing



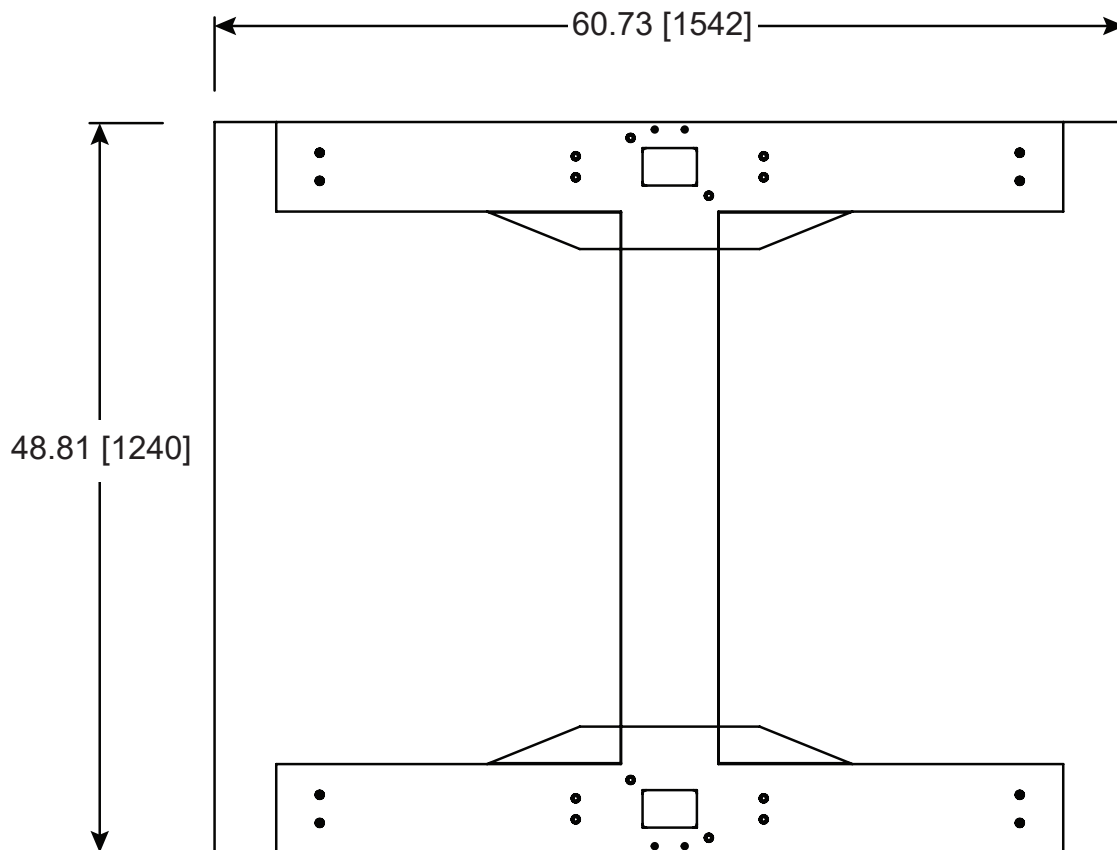


## Appendix C - 28" & 36" Baseplate Dimensions

**Fig. C1** 28" Baseplate Dimensions



**Fig. C2** 36" Baseplate Dimensions





## Appendix D - External DC Power Supply Installation (Optional)

THESE INSTRUCTIONS ARE APPLICABLE FOR EXTERNAL DC POWER SUPPLY INSTALLATIONS ONLY.

### Before You Begin

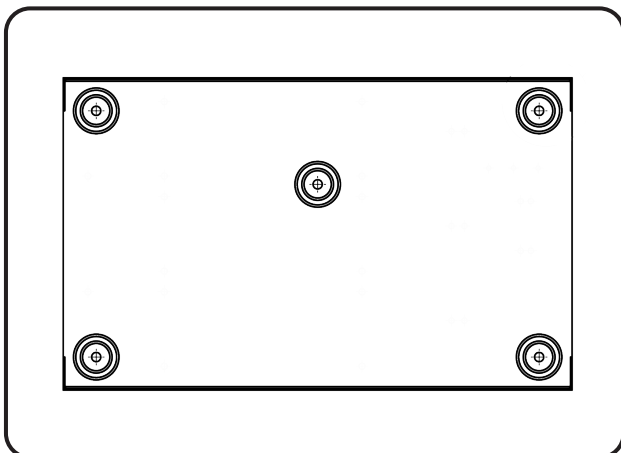
- One power supply is required per lane. Each power supply enclosure can house up to three power supplies. The power supplies are pre-installed at Alvarado prior to shipping. Make sure to locate all required components, and verify the correct number of power supplies are present prior to beginning installation.
- It is assumed that conduit has been run to the Main/center cabinet for each lane for low-voltage 24VDC power wiring. Refer to Conduit Requirements section on Page 9 for more information.
- Due to the various mounting methods and surfaces available for mounting the enclosure, mounting hardware and detailed mounting instructions are not provided.
- Wire gauge recommendations for 30, 50, and 100 ft. runs are provided on Page 37. If your installation requires runs beyond 100 ft, ensure wire gauge is appropriate and in compliance with local electrical codes.
- The location of the power supply enclosure must adhere to the Environmental Requirements section found on Page 9. Controlled environments such as an electronics closet are ideal.
- See Page 40 for power supply enclosure dimensions.
- It is strongly recommended that a licensed electrician perform this procedure in accordance with applicable local electrical codes.
- Throughout this document, the power supply enclosure is shown with three power supplies installed. The instructions are the same for single and dual power supply installations.

### Locate and Mount the Enclosure(s)

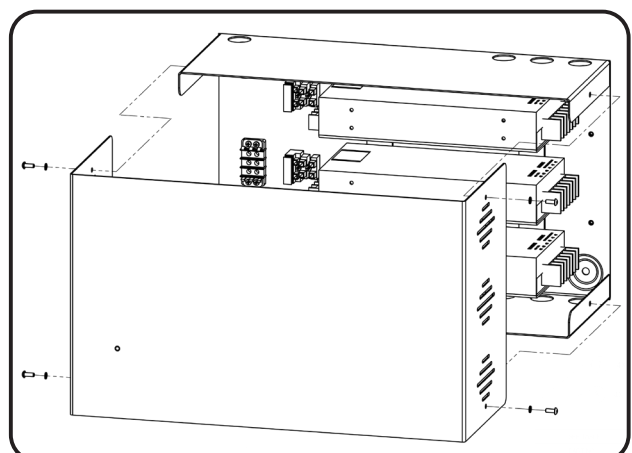
**⚠ WARNING** ENSURE PRIMARY POWER IS SHUT OFF AT THE BREAKER.

1. Determine the installation location for the power supply enclosure(s). If mounting the enclosures to a wall or other surface, use the five (5) provided mounting holes and appropriate hardware [Figure D1].
2. Using a 5/64" Allen wrench, remove the four (4) cover screws and remove the cover [Figure D2].

**Fig. D1** Mounting Holes (Side View)



**Fig. D2** Removing Cover Screws





## Connect Primary Power to Enclosure(s)

### NOTE

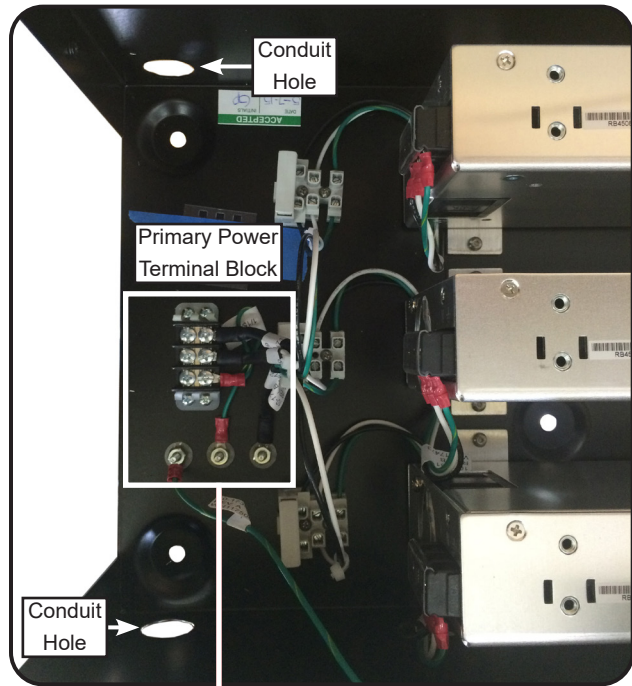
Primary power wiring and connectors are not supplied by Alvarado.

The primary wiring lines for 110VAC and 220VAC consist of the following:

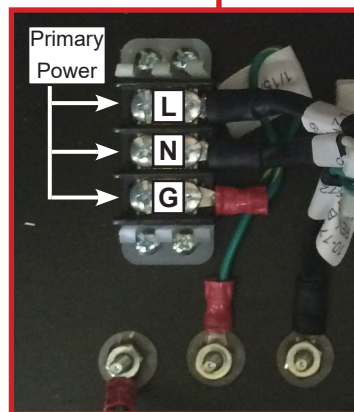
Terminal	110V	220V
<b>L</b> ine	Black	Brown
<b>N</b> eutral	White	Blue
<b>G</b> round	Green	Green/Yellow

- Route primary power conduit to one of the supplied conduit holes on the enclosure [Figure D3].
- Locate the pre-installed primary power terminal block [Figure D3]. There is one primary power terminal block per enclosure.
- Attach each primary power wire to the primary power terminal block according to the table above [Figure D3A].
- Using a Phillips-head screwdriver, tighten each terminal block connection.
- Attach the supplied protective cover on the terminal block.
- Repeat Steps 3 for 7 for additional power supply enclosures.

**Fig. D3** Primary Power Terminal Block



**Fig. D3A**





## Connect Low-Voltage 24VDC from Enclosure to Turnstile(s)

**NOTE**

Twelve (12) ring connectors are supplied by Alvarado for connecting low-voltage 24VDC power to the turnstiles. If you do not require all twelve connectors, only use what is needed.

Due to the differences of each installation scenario, 24VDC wire is not supplied by Alvarado. See the recommendations below for selecting the best wire for your installation.

DISTANCE	GAUGE
30 ft (9.14m)	16 AWG
50 ft (15.24m)	14 AWG
100 ft (30.48m)	12 AWG

- Route 24VDC power conduit(s) to supplied conduit holes on the enclosure. See [Figure D7] on Page 40 for location of 24VDC conduit holes.

**TIP**

If connecting to multiple turnstiles, it is recommended to label each power supply i.e. Lane 1, Lane 2, Lane 3, etc.

- For each power supply to be connected, locate the output terminal block [Figure D4]. Each terminal block has three (3) 24VDC (+V) and three (3) ground (-V) terminals. You will only require one (+V) and one (-V) per lane.

**NOTE**

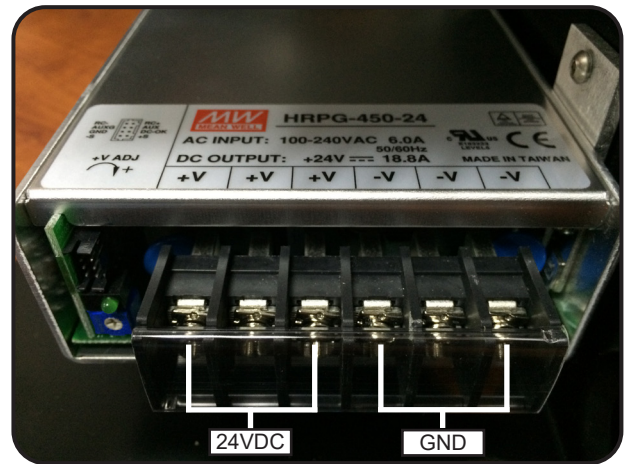
The 24VDC (+V) and GND (-V) terminals are common.

- Using the supplied connectors, connect the 24VDC (+V) and ground (-V) wires to the output terminal block [Figure D4].

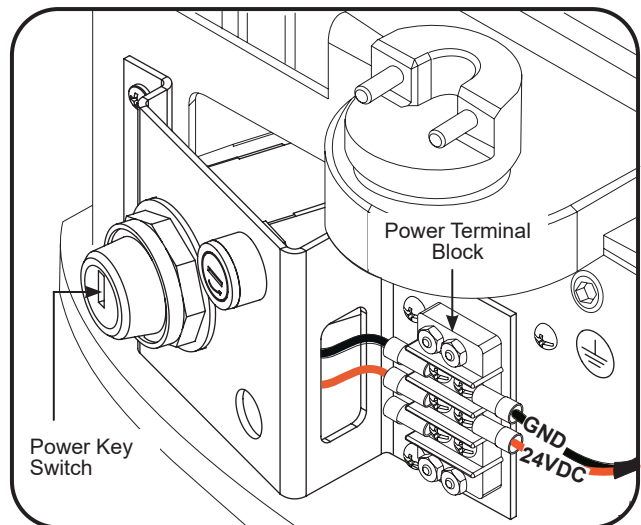
- At the turnstile, using the supplied connectors, connect the 24VDC and GND wires to the power terminal block as shown in [Figure D5].
- Repeat Steps 9 - 12 for additional power supplies and turnstiles.

**Return to Crossover Cable Connection section located on Page 16 to continue the installation.**

**Fig. D4** Power Supply Output Terminal Block



**Fig. D5** Turnstile Power Terminal Block





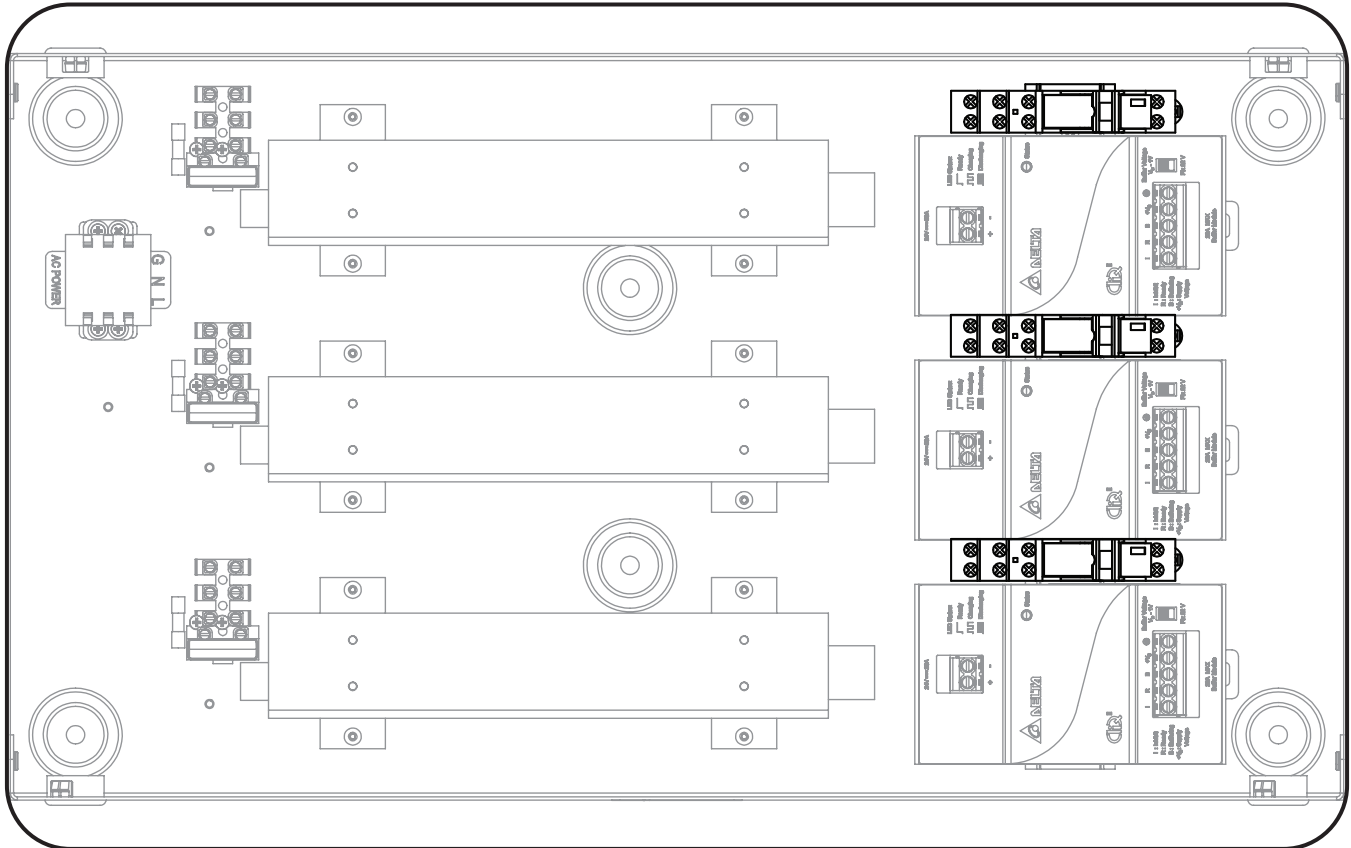
## Option: Power Buffer - Connect from Enclosure to Turnstile

The remote power supply option can also include a power buffer, which ensures the barriers open towards the exit direction upon power loss.

The power buffer for the remote power supply requires one additional connection to be made from the enclosure relay(s) to each respective turnstile I/O Board; wire not supplied.

The remote power supply enclosure can contain up to QTY3 each power supplies & power buffers. Figure D6 shows a full enclosure.

**Fig. D6** Power Buffer Relay Location



To complete the Power Buffer wiring:

1. Connect wire from the output terminals 11 & 12 from each relay.
2. Pull wire from the enclosure relays to the Main cabinets of each lane.
3. Terminate the wires onto pins 7 & 8 (ENT-Service & GND) on the J1 Block of each I/O Board.

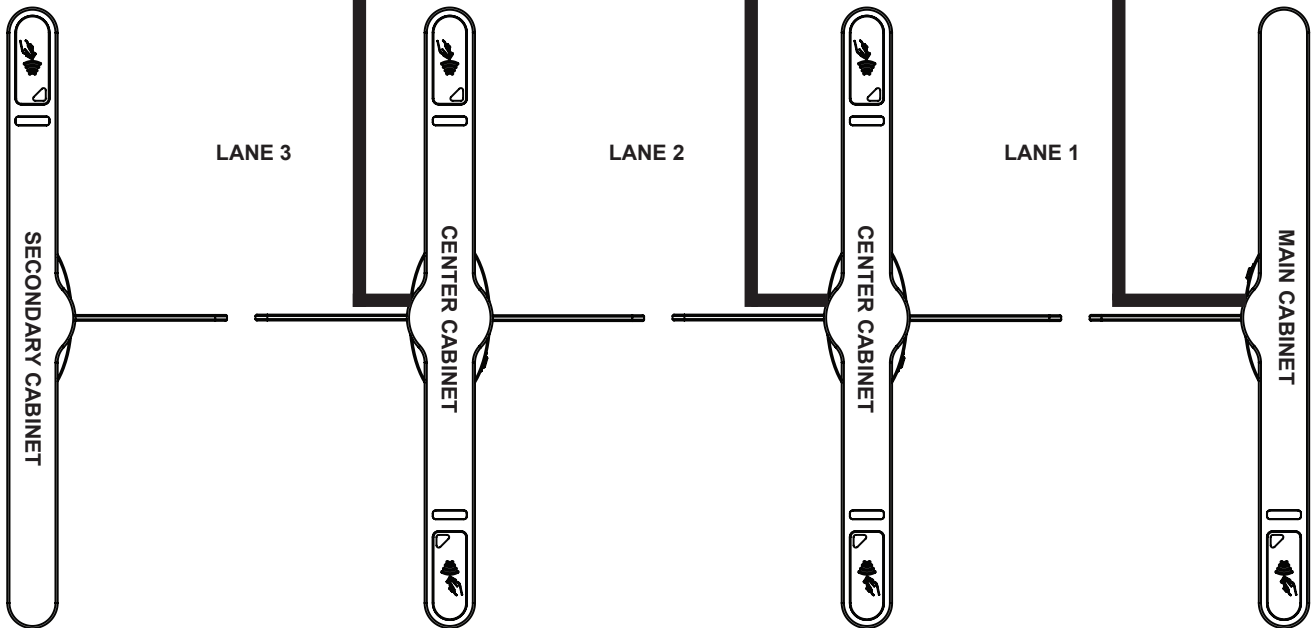
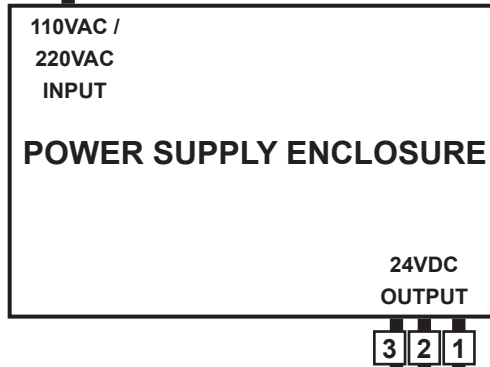


# External DC Power Supply Connection Diagram

Fig. D8 Connection Diagram

TO CIRCUIT  
BREAKER

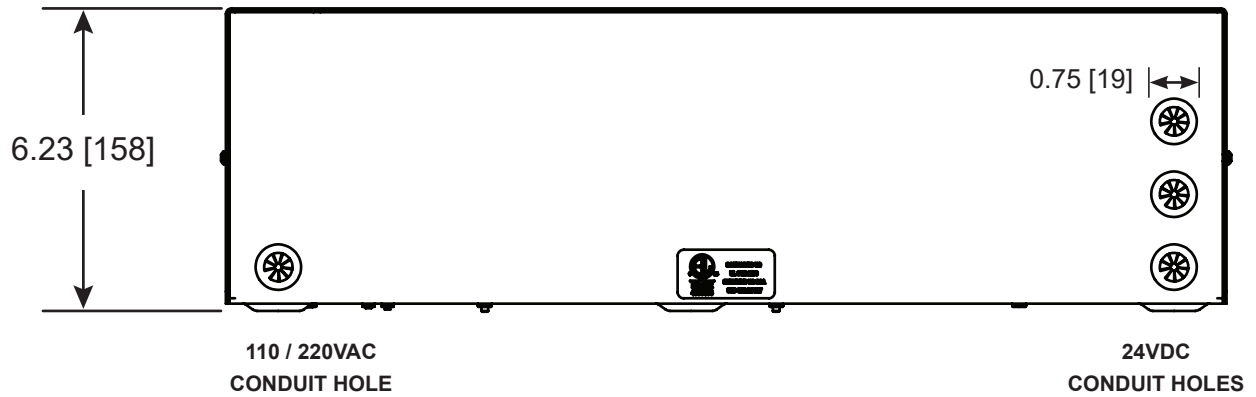
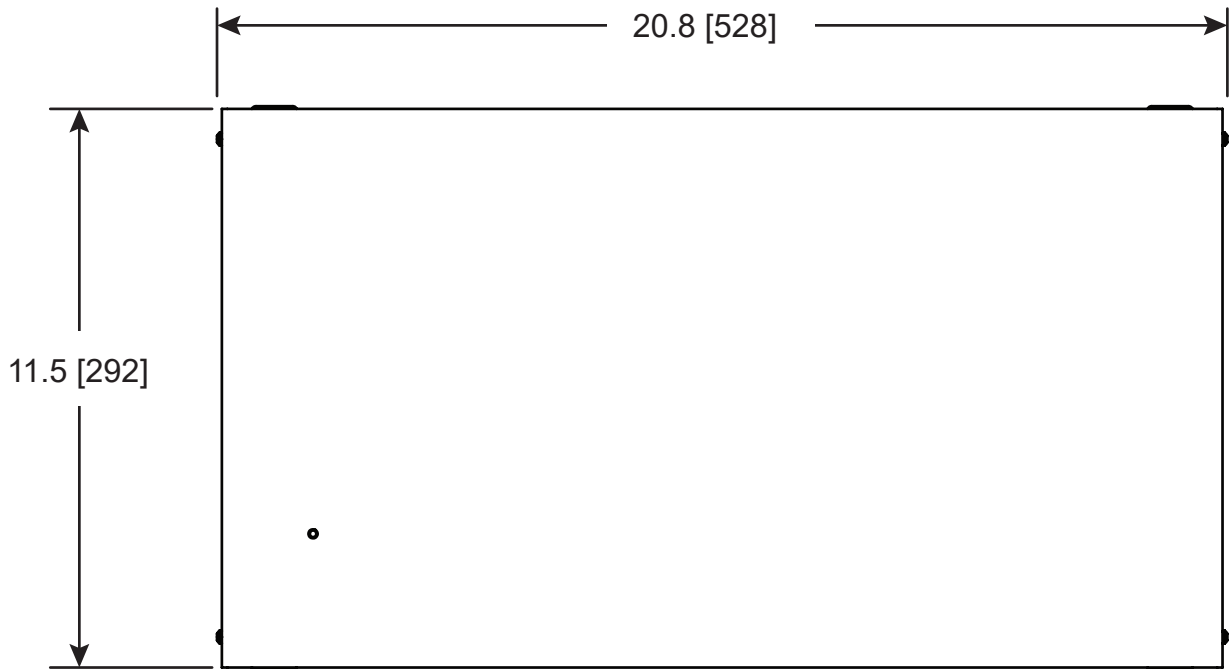
Fig. D7





# Power Supply Enclosure Dimensions

**Fig. D9** Dimensions

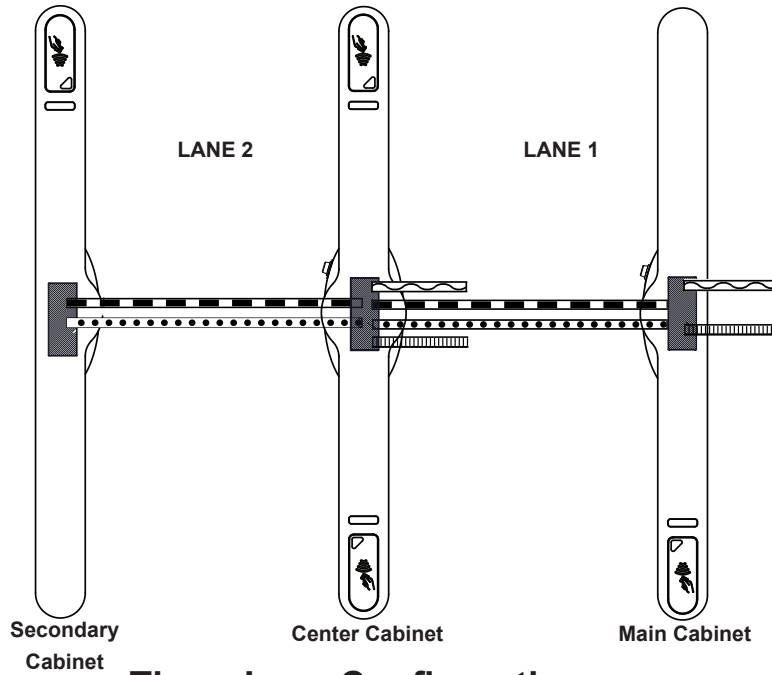




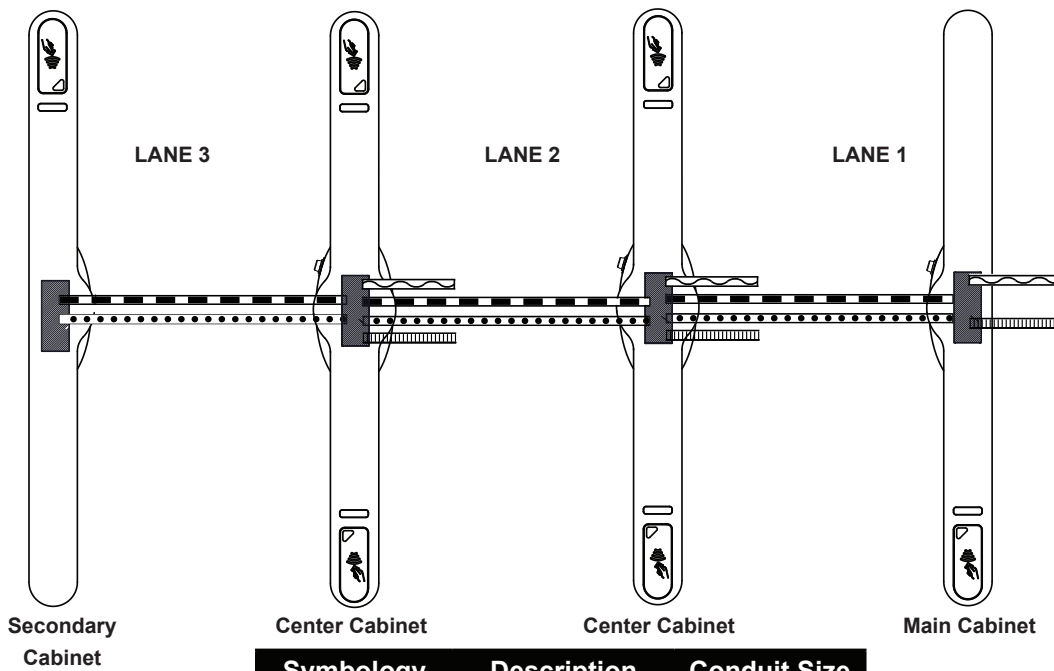


## Appendix E - Multi-Lane Conduit Requirements

### Two-Lane Configuration



### Three-Lane Configuration



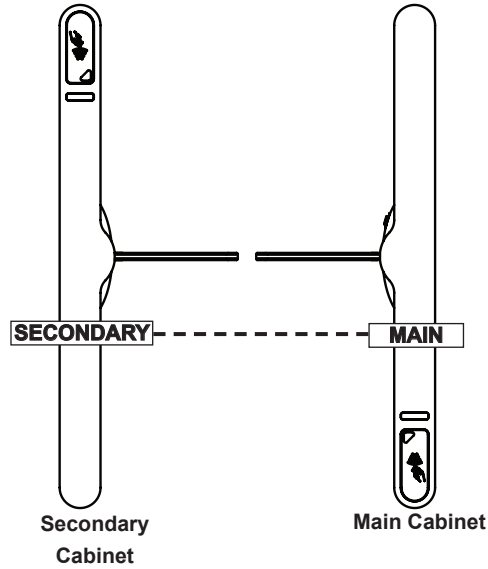
Symbology	Description	Conduit Size
	Primary Power**	3/4" (1/2")**
	Access Control / Ethernet	3/4"
	Access Control	3/4"
	Crossover Cable	1"

\*\*If the External DC Power Supply option was ordered, use 1/2" conduit to route 24VDC.

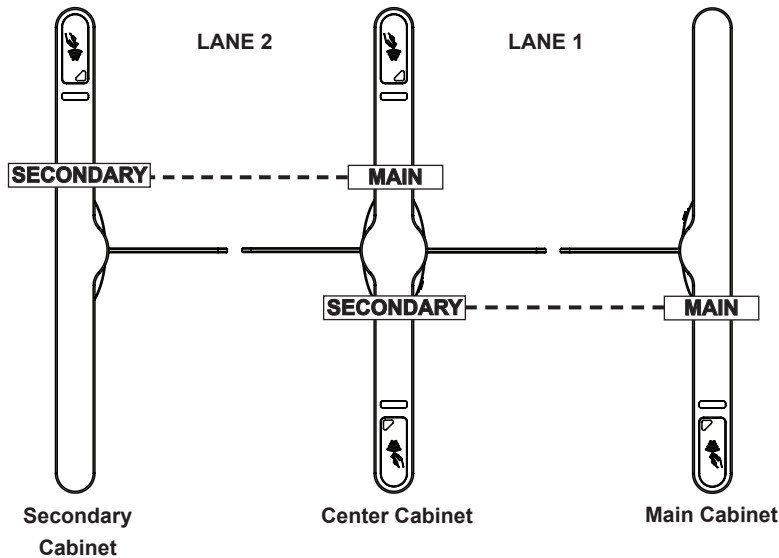


## Appendix F - Crossover Cable Connection Diagrams

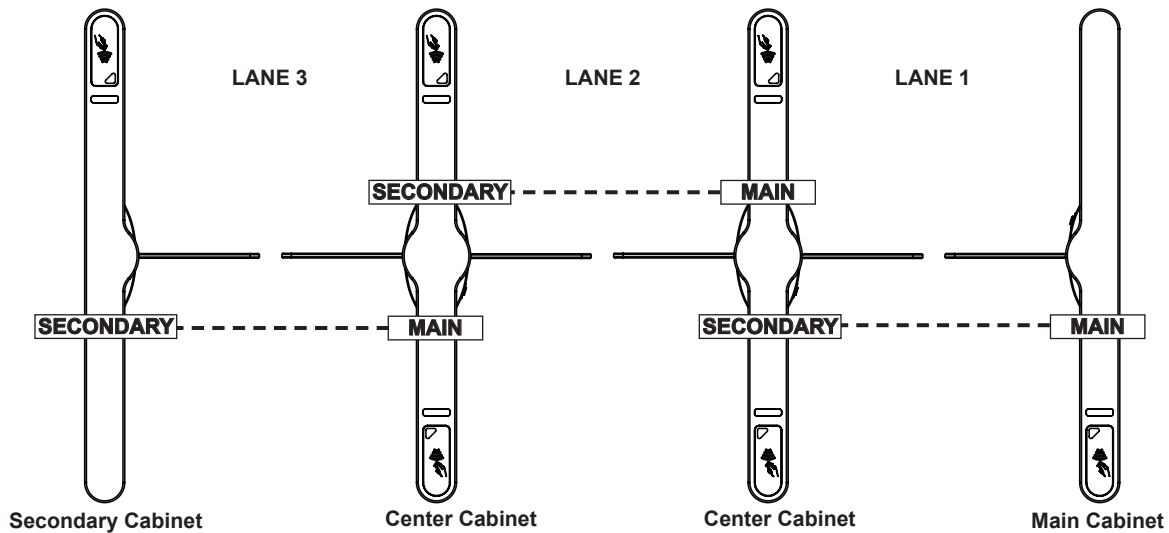
### One-Lane Configuration



### Two-Lane Configuration



### Three-Lane Configuration





## Revision History

Revision	Date	Author	Description
1-0	07/14/14	A. Flores	Initial creation. Replaces <i>SU5000 Installation and Operation Instructions (PUD3297R2-6)</i> .
1-1	10/29/14	A. Flores	Added Baseplate installation instructions.
1-2	04/30/15	A. Flores	Added instructions for leveling cabinets and checking barriers for straightness.
1-3	06/09/15	A. Flores	Added Appendix D - External DC Power Supply Installation Instructions, and Appendix E - Multi-Lane Conduit Requirements.
1-4	11/13/15	A. Flores	Updated standard crossover cable length to 8'. Added Appendix F - Crossover Cable Connection Diagrams.
1-5	03/24/16	A. Flores	UL 2593 and CSA C22.2 #247 Certifications
1-6	08/25/16	A. Flores	Updated imager specifications for Barcode Reader Requirements. Removed UL 325 Listing.
1-7	12/12/17	C. Maynez	Updated Baseplate images.
1-8	1/8/19	C. Maynez	Updated IO Terminal Listing, Removed Brake Shim section, correct page number call outs, and included Crossover cable warning and 13' length option. Added 13ft Crossover requirement for lanes wider than 36".
1-9	3/13/20	C. Maynez	Updated installation steps, card reader mounting plate images, User Status Light images, and size of remote power supply conduit.
2-0	6/25/20	C. Maynez	Terminology update.
2-1	7/2/21	C. Maynez	Crossover size conduit update.
3-0	4/17/23	--	Rebranded to corporate standards.
3-1	10/23/23	C. Maynez	Updated baseplate images.
3-2	11/6/23	C. Maynez	Updated remote power supply images.
3-3	8/29/24	C. Maynez	Updated Power Consumption figures.



This page intentionally left blank.

