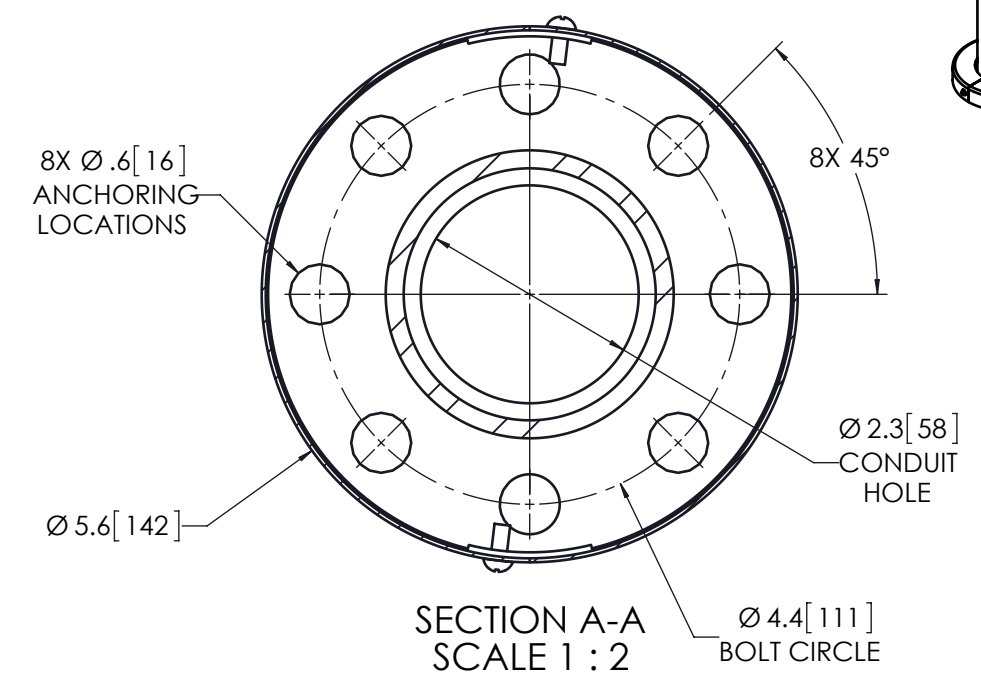
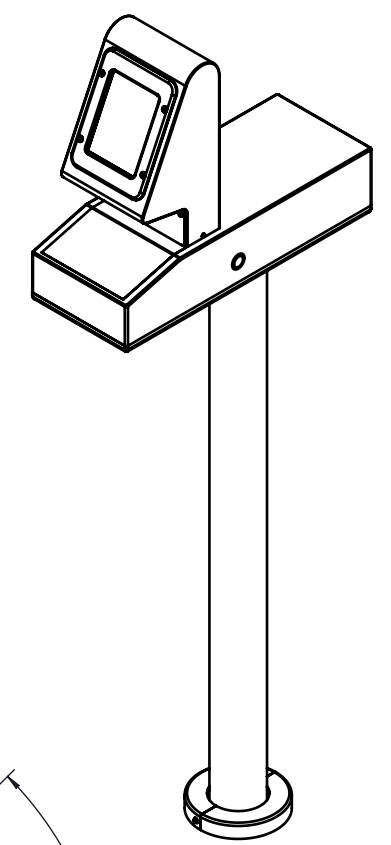
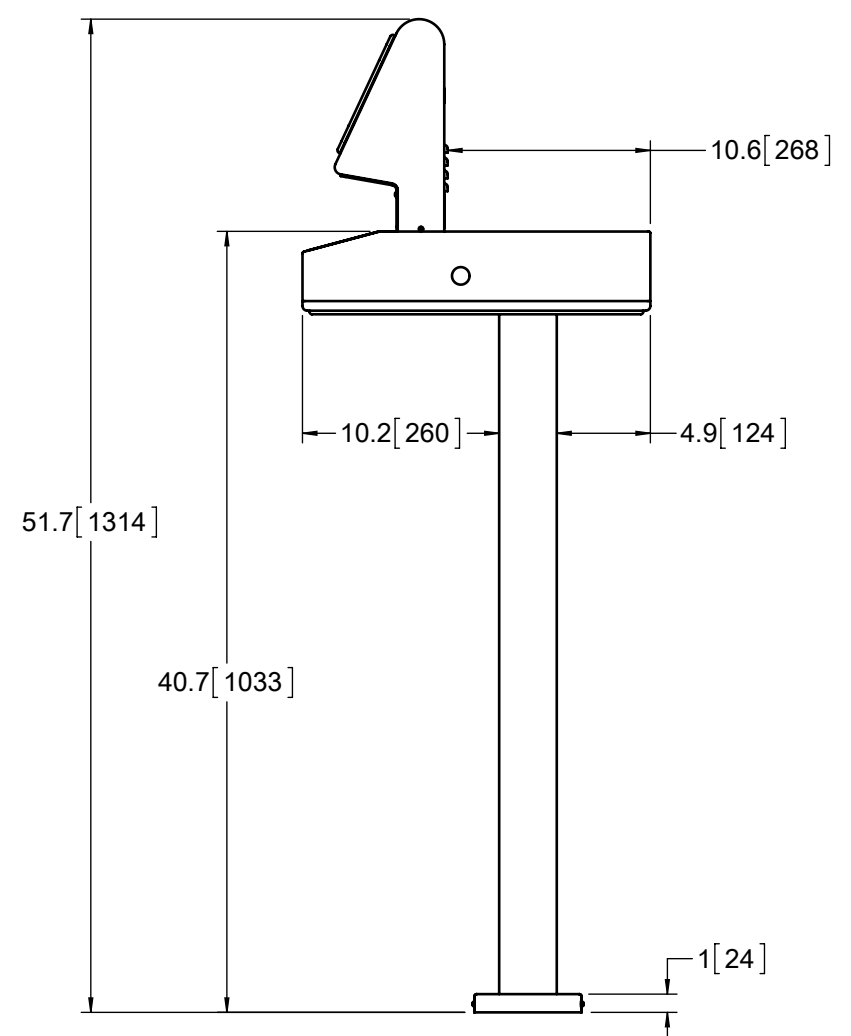
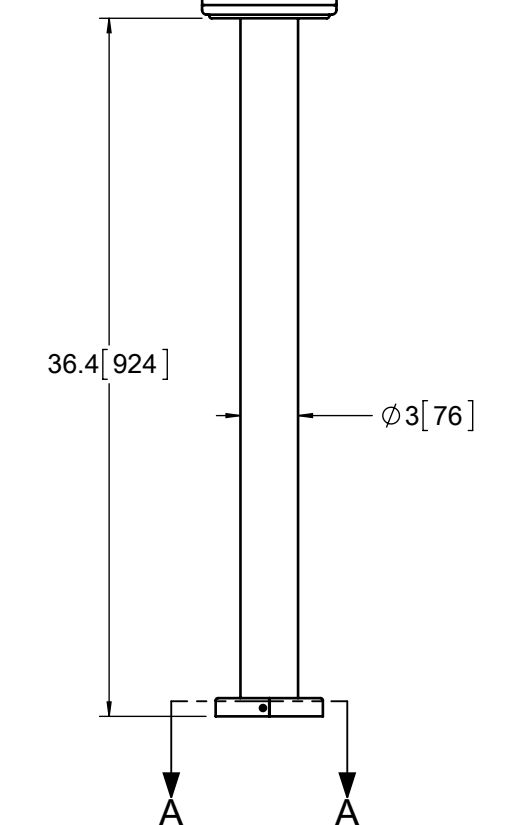
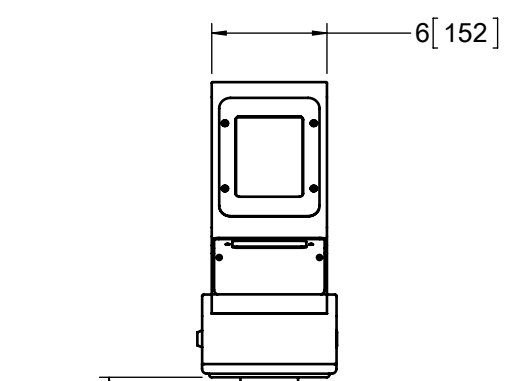
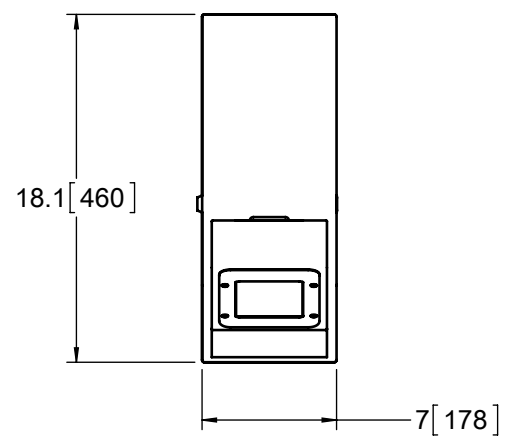


8 7 6 5 4 3 2 1



NOTES:
 1. ALL DIMENSIONS ARE APPROXIMATE AND IN INCHES [mm].

THIRD ANGLE PROJECTION		ALVARADO		Alvarado Mfg. Co. Inc. 12660 Colony Street, Chino, CA 91710 909.591.8431 - 909.628.1403 (Fax) www.alvaradomfg.com	
PROPRIETARY AND CONFIDENTIAL		TITLE: TAS12-AS1			
THE INFORMATION CONTAINED IN THIS DRAWING IS THE SOLE PROPERTY OF ALVARADO MANUFACTURING INC. ANY REPRODUCTION IN PART OR AS A WHOLE WITHOUT THE WRITTEN PERMISSION OF ALVARADO MANUFACTURING INC. IS PROHIBITED.		NAME RGM	DATE 9/30/2015	SIZE B	DWG. NO. PEF-538
DO NOT SCALE DRAWING	ENGR	RPL	9/30/2015	SCALE: 1:10	REV A SHEET 1 OF 1

8 7 6 5 4 3 2 1