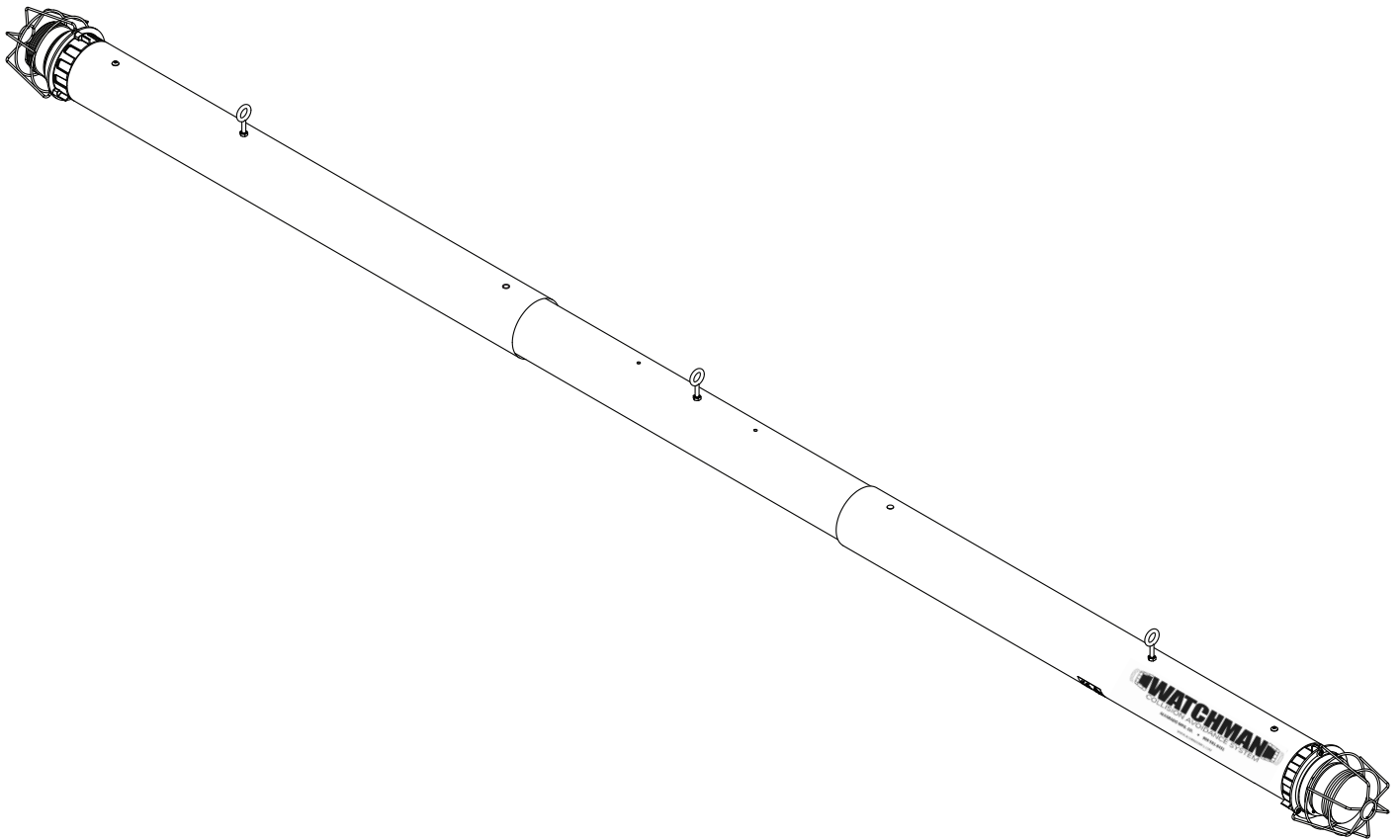


WATCHMAN
Collision Avoidance System



Installation Instructions





Alvarado Manufacturing Company, Inc.
12660 Colony Street, Chino, CA 91710
Telephone: (909) 591-8431
Fax: (909) 628-1403
support@alvaradomfg.com
www.alvaradomfg.com

Contents


Contents	2
Safety Icons.....	2
Safety Precautions.....	2
Function.....	3
Parts List.....	3
Additional Required Items (Not Included).....	3
Installation Steps.....	3
Tools Required.....	3
Installation Instructions.....	4
Weatherization Instructions.....	4
Battery Installation.....	5
Placement and Mounting.....	5
AC Power Connection.....	6
DC Power Connection.....	7
Dry Contact Output Connection (Optional).....	7
Functions Check.....	7
Operation.....	7
Low-Battery Alert.....	8
Alarm Duration Setting.....	8
Cleaning and Maintenance.....	9
Troubleshooting.....	9
CE Declaration of Conformity.....	10
Revision History.....	11

Safety Icons

The following symbols are used throughout the manual to highlight important information and potential risks when installing, servicing or using the Watchman.

-  **WARNING** This symbol is used in this manual to warn installers and operators of potential harm. Please read these instructions very carefully.
-  **CAUTION** This symbol is used in this manual to designate potential conditions that may pose a risk to pedestrians, personnel, property and equipment. Please read these instructions very carefully.
-  **NOTE** This symbol is used in this manual to designate useful information for the installer and operator. Please read these instructions.
-  **HIGH NOISE LEVELS** This symbol is used in this manual to warn installers and other personnel of high noise levels.

Safety Precautions

-  **WARNING**
- Use only skilled individuals to install and service the Watchman. Read these instructions carefully before beginning.
 - Follow a proper maintenance schedule using skilled individuals.
 - A 105dB alarm may trigger repeatedly during installation. Use hearing protection during installation.
 - Do not drape, hang, or lean any objects from the Watchman.
 - Do not continue to use the Watchman if it has been damaged or is functioning incorrectly.
 - Do not modify or alter the Watchman.
 - Only use Alvarado parts when repairing or maintaining the Watchman.

SAVE THESE INSTRUCTIONS

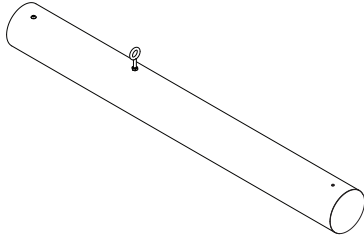
After installation, the installer is responsible for providing the owner or site manager with these instructions.

Function

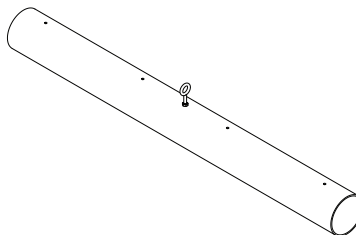
The Watchman serves as a visual and audio deterrent that warns forklift drivers and management of potential collisions between forklifts and fixtures before they happen. The Watchman installs in front of overhead doors, racking or virtually any fixture in a factory or warehouse. Impact with the Watchman tube triggers a loud alarm and flashing red lights. This warns the forklift driver to stop immediately and alerts management of the incident.

Parts List

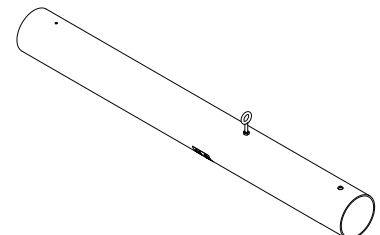
Make sure that none of these parts are missing and/or damaged before beginning installation. If there are parts missing and/or damaged, please stop the installation and contact Alvarado.



Left End Tube



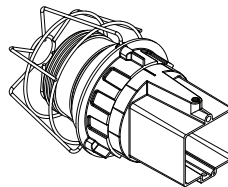
Center Tube



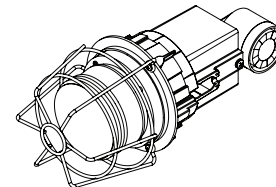
Right End Tube

AC Power Models (Only)

- 25' AC Power Cord [Qty 1]
- Power Supply [Qty 1]
- Screw Terminal Connector [Qty 1]



Main End Cap
(QTY1)



Secondary End Cap
(QTY1)



Binding Bolt
(QTY2)

Additional Required Items (Not Included)

- Suspension Hardware (the following is recommended):
 - 5/16" x 9" Turnbuckles [Qty 2]
 - 3/32" Uncoated Cable [Length dependent on installation]
 - 3/32" Aluminum Ferrules [Qty 8]
- C Cell Batteries [Qty 8] (Battery-powered models only)

Tools Required

- Level
- Tape Measure
- 5/32" Allen Wrench
- Ferrule Crimper
- Wire Cutters
- Screwdriver (Varies)
- Ladder
- RTV Silicone (optional)

Installation Steps

Battery-Powered Models

1. Tube Assembly
2. Battery Installation
3. Placement and Mounting
4. Functions Check

AC-Powered Models

1. Tube Assembly
2. Placement and Mounting
3. AC Power Cord Connection
4. Dry Contact Output Connection (Optional)
5. Functions Check

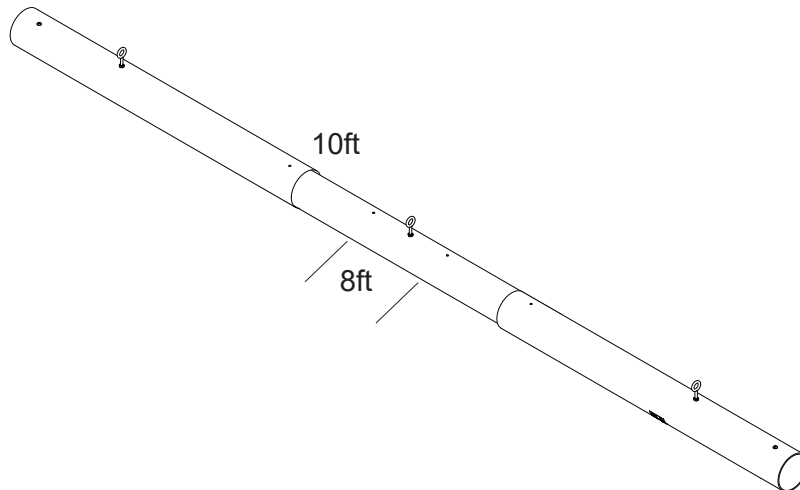


For questions, please contact Alvarado at (909) 591-8431, Monday – Friday 7:00am to 4:00pm PST. Please read this manual completely before installing or operating the product.

Installation Instructions

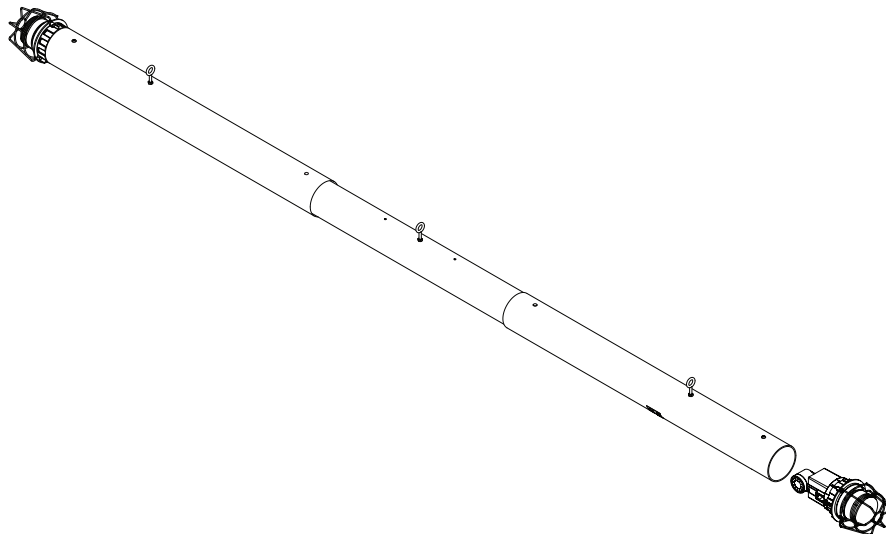
- 1) Using a 5/32" hex wrench, secure the Main End cap onto the Left End tube.
- 2) Slide the Left End tube onto the Center tube.
- 3) Pull the cable harness from the Main End cap through the length of the tube.
- 4) Slide the Right End tube onto the Center tube & pull the harness through its length.
- 5) Align holes in Center tube with holes in the Left & Right End tubes to adjust the overall length of the Watchman.
Pre-drilled holes provided equate to 10ft & 8ft, respectively. [Figure 1]

Fig. 1



- 6) Insert the binding posts to secure the End tubes to the Center tube once desired length is achieved.

Fig. 2



- 7) Plug the cable harness from the Main End cap into the Secondary End cap. [Figure 2]
- 8) Using a 5/32" hex wrench, secure Secondary End cap in place.

Weatherization Instructions

Apply silicone to the areas listed below to weatherize the Watchman:

- 1) Around the circumference of all hardware & unused holes along the length of the tube.
- 2) The seams between the Left / Right End tubes and Center tube.

Battery Installation

NOTE

Battery installation is only applicable to battery-powered models. For AC-powered models, skip to the *Placement and Mounting* section below.

1. Using a 5/32" Allen wrench, remove the screw securing the Main End cap to the tube.
2. Remove the Main End cap. Using a Phillips screwdriver, loosen the screw and swing the plastic bar to the side to gain access to battery packs [Figure 3 & 4].
3. Disconnect the (2) battery pack connectors and slide out the battery packs from the end cap [Figure 4].
4. Insert (8) C cell batteries into the battery packs, ensuring correct battery polarity. **Make sure batteries are fully inserted into the battery packs.**
5. Return the battery packs to the end cap and reconnect the (2) battery connectors. Swing the plastic bar back into place and tighten the screw.
6. Using a 5/32" Allen wrench, reinstall the end cap.

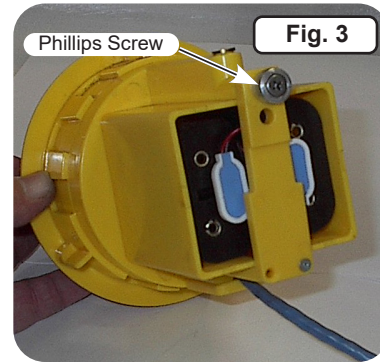


Fig. 3

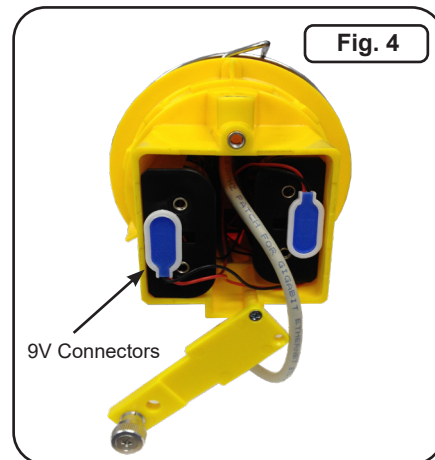


Fig. 4

Placement and Mounting

CAUTION Adhere to the following placement guidelines:

- Verify the structural integrity of the object(s), i.e. joists, to which the Watchman will be suspended.
- To provide enough warning time to avert a collision, the Watchman must be placed at a sufficient distance **in front of** the object being protected to allow the forklift driver sufficient time to react and stop after Watchman activation. What a sufficient distance is depends on the application where the Watchman is being used. Relevant factors include the object being protected, the traffic pattern of the facility, available hanging space, and forklift operating speeds. For applications where the Watchman will be placed in front of a roll-up door, locating the Watchman a minimum of 4' **in front of** the door is generally an appropriate distance.
- Place the bottom of Watchman's tube a minimum of 2" **below** the object or surface being protected.
- Ensure the suspension cable angles are between 90° and 135° [Figure 5].

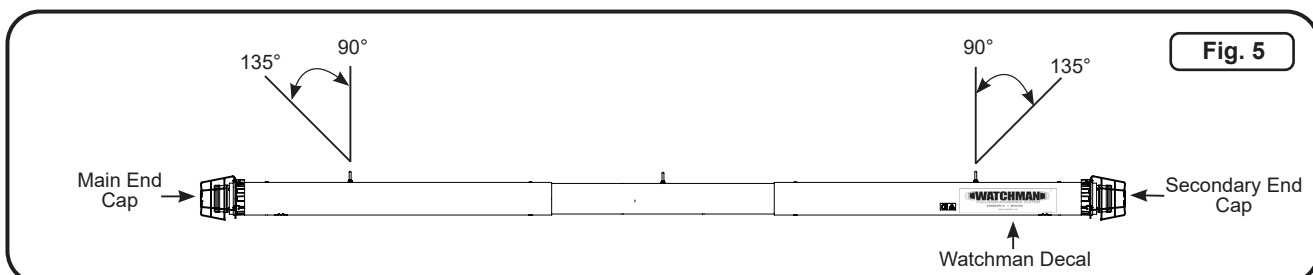


Fig. 5

Placement and Mounting (cont.)

NOTE

There are many methods of mounting the Watchman. The following instructions assume that the recommended suspension hardware is being used. Instructions on the use of other suspension hardware and methods are outside the scope of this manual.

Once the Watchman's placement has been determined:

1. Install eye bolts to the object(s) to which the Watchman will be suspended (joist, girder, etc).
2. Using ferrules and a ferrule crimper, secure suspension cables to the eye bolts [Figure 6].
3. Install (1) turnbuckle per suspension cable using ferrules and a ferrule crimper [Figure 7].
4. Attach suspension cables from the turnbuckles to the Watchman's eye bolts using ferrules and a ferrule crimper.
5. Using a level, check horizontal alignment of the Watchman. Adjust the height of the Watchman as needed using the turnbuckles.



Fig. 6

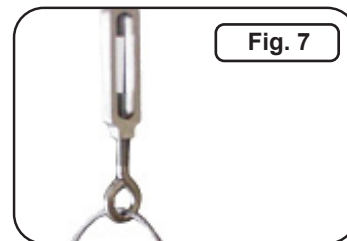


Fig. 7

AC Power Connection

NOTE

AC power connection is applicable to AC-powered models only. When connecting AC power, make sure no batteries are installed.

1. Locate the AC power cord at the Main side end cap on the opposite end of the Watchman decal [Figure 5].
2. Run the AC power cord up along the suspension cable and swag it over to an adjacent wall. Make sure there is sufficient cord slack to allow the Watchman to move laterally in the case of a collision event [Figure 8].

NOTE

The AC power cord is 25' in length.

3. Obtain the included AC power supply and screw terminal connector. Locate the RED and BLACK wires of the AC power cord. Using an appropriate screwdriver, connect the RED wire to the (+) terminal, and the BLACK wire the (-) terminal on the screw terminal connector.

NOTE

If present, the WHITE and GREEN wires bundled with the AC power wires are used for dry contact output (see next page). If you are not going to use the dry contact output, ensure wires remain insulated.

4. Plug the power supply into a 120 VAC power outlet, and to the screw terminal connector.

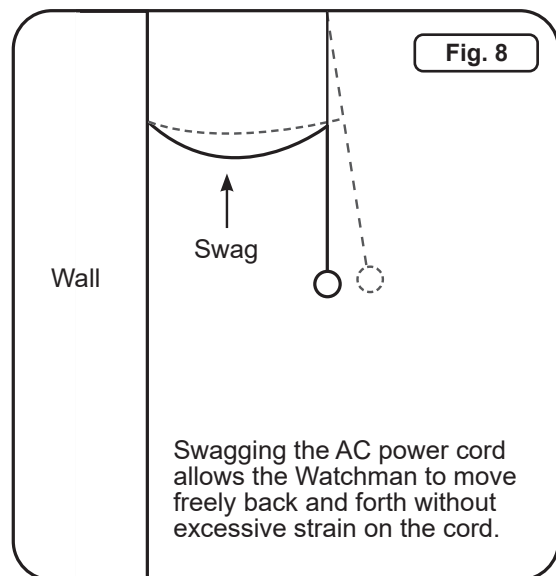


Fig. 8

DC Power Connection

Low-voltage (+12VDC @ 1A) can be routed directly to the Watchman. Follow the instructions listed in AC Power Connection to locate the positive and negative power terminals and run low-voltage wire to the Watchman.

1. Wire the DC power supply to the appropriate positive and negative terminals.

NOTE

DC power supply not included.

Dry Contact Output Connection (Optional)

The dry contact output enables the Watchman to activate another device such as an external light, alarm, or counter, during a collision event. The output provides a 100ms Normally Open, dry contact.

1. Connect the WHITE and GREEN wires to the N.O, dry contact terminals on your external device.

NOTE

The contacts have a maximum current rating of 500mA.

Functions Check



To perform a functions check:

1. Strike the front face of the tube with a hard object such as a broom handle. The alarm should sound and both lights should flash.
2. Repeat with the other side of the tube.

Operation

The Watchman's bidirectional shock sensors are designed to detect collisions to the front and back of the ABS tube [Figure 9]. When a collision occurs, an audible alarm will sound and both red lights will flash for approximately (4) seconds.

NOTE

The alarm duration can be set to 4 or 8 seconds. The factory default setting for alarm duration is 4 seconds. Refer to the instructions in *Alarm Duration Setting* to change the alarm duration to 8 seconds.

Fig. 9



Low-Battery Alert

Under normal usage, fresh batteries will last approximately 1.5 - 2 years. When the batteries are in need of replacement, the Watchman will begin to chirp once every (5) minutes.

Due to operational variables, it is not possible to calculate how long the Watchman will operate after the low-battery alert begins. For this reason, **batteries should be replaced promptly after the low-battery alert begins to sound.**

Alarm Duration Setting

Tools Required:

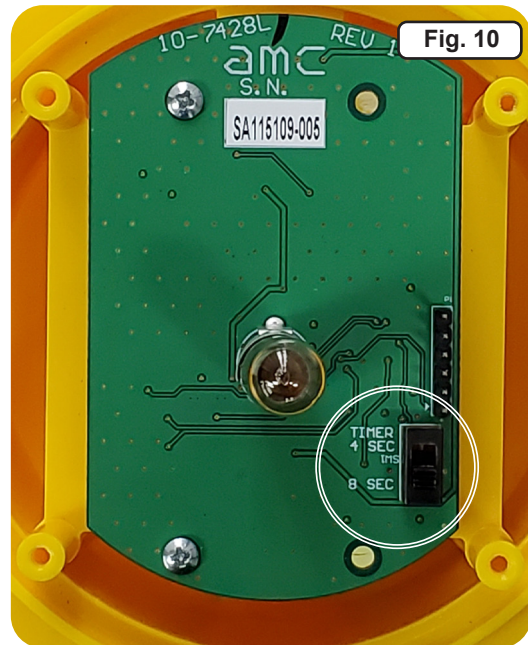
- Right-Angle #2 Phillips Screwdriver
- Phillips Screwdriver

To change the alarm duration setting:

1. Using a right-angle #2 Phillips screwdriver, remove the metal lens cap guard on the Main End cap.
2. Using a Phillips screwdriver, remove the red lens cap.
3. Locate the SW1 switch & select 4 SEC or 8 SEC. [Figure 10]
4. Replace the red lens cap.
5. Replace lens cap guard.

NOTE

There is no need to reset or power down after the change is made. The change takes effect immediately.



Cleaning and Maintenance

Use an all-purpose cleaner and damp cloth to clean the Watchman unit.

Perform the following maintenance steps on a quarterly basis:

- Check all suspension hardware (including the Watchman's eye bolts). Tighten or replace if necessary.
- Inspect the ABS tube and end caps for cracks or other damage if there has been a collision.
- Replace the batteries (if applicable).
- Perform the functions check as described on page 7.

Troubleshooting

If excessive false alarms occur due to local vibration, Alvarado recommends applying pipe insulation to the suspension cables.

1. Apply a 6" length of pipe insulation as close to the Watchman as possible on each suspension cable.
2. Wrap the insulation, lengthwise, tightly around the wire, completing as many layers as possible.
3. Secure the insulation in place using zip-ties placed at the top, middle, and bottom of each strip.

If more vibration dampening is required, continue to apply 6" strips of insulation spaced 18" apart until false alarms no longer occur.

CE Declaration of Conformity**CERTIFICATE & DECLARATION OF CONFORMITY FOR CE MARKING****Company contact details:**

Alvarado Mfg. Co., Inc.
12660 Colony Street, Chino, CA 91710, USA

Alvarado Mfg. Co., Inc. declares that their:

Watchman

complies with the Essential Requirements of the following EU Directives:

Low Voltage Directive 2006/95/EC
Electromagnetic Compatibility Directive 2004/108/EC

and further conforms with the following EU Harmonized Standards:

EN 60529:1992
EN 61000-6-2:2005
EN 61000-6-4:2007+A1:2011

Dated: 18 October 2013

Position of signatory: President

Name of Signatory: Bret Armatas

Signed below:

on behalf of Alvarado Mfg. Co., Inc.



Revision History

Revision	Date	Author	Description
6-0	11/18/13	A. Flores	CE compliance. Imported to new layout.
6-1	4/29/15	A. Flores	Updated parts list. Low-Battery Alert operational status.
6-2	3/05/16	A. Flores	Changed AC Power Cord length to 25'.
6-3	9/28/18	C. Maynez	Added Troubleshooting.
6-4	7/20/20	C. Maynez	Added DC Power Connection & terminology update.
6-5	11/19/20	D. Bohannon	Added clarification and note to page 7.
6-6	12/22/21	C. Maynez	Updated product images & installation process.

Page intentionally left blank.



Alvarado Manufacturing Company, Inc.

12660 Colony Street, Chino, CA 91710

Telephone: (909) 591-8431

Fax: (909) 628-1403

support@alvaradomfg.com

www.alvaradomfg.com